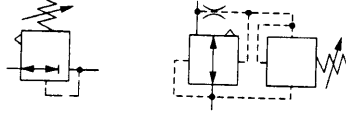


查询"11400-2G/PC100"供应商

Ported Precision Pressure Regulators

11-818, 11400, 20AL-X, R38

G¹/₄, 1/4" NPT



Features

11-818† compact, high precision regulators for air gauging, laboratory use and precise pilot control.

11400/20AL-X for high accuracy with constant bleed, recommended as pilot control for R18/11-808/R24 regulators and 40AC relief valves.

R38 instrument regulators for process and petro-chemical industries.

†Not recommended for dead end use, consult our Technical Service for details.

Technical data

Medium: Compressed air only

Inlet pressure:

- 0-25 bar (11400/20AL-X)
- 0-10 bar (11-818-100)
- 0-14 bar (11-818-110)
- 0-8 bar (11-818-999)
- 0-20 bar (R38)

Gauge ports:

- G1/8 (11400/20AL-X)
- 1/4 N.P.T. (R38)

Ambient temperature:

- 20°C to +80°C
 - 40°C to +80°C (R38)
 - 0°C to +70°C (11-818).
- Consult our Technical Service for use below +2°C.

Alternative models

Pressure ranges (R38).

Non-relieving versions (R38).

Contact our Technical Service for details.

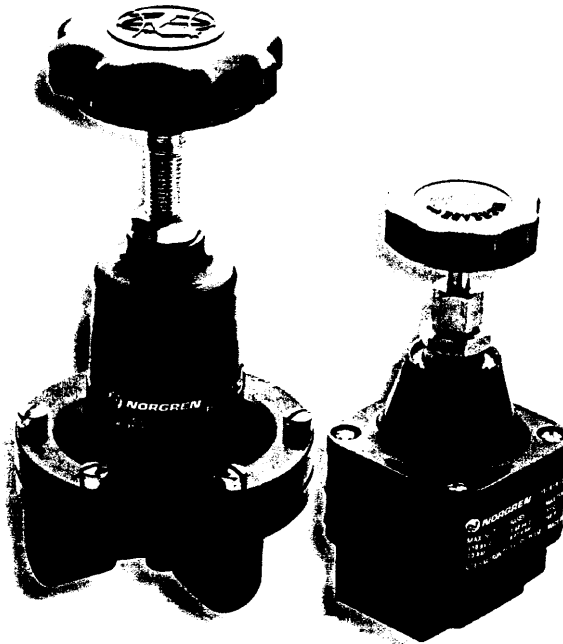
Materials

11-818, 11400 and 20AL-X:

- Body & bonnet: zinc alloy
- Adjusting knob: acetal resin
- Elastomers: nitrile

R38:

- Body & bonnet: aluminium alloy
- Adjusting screw: steel
- Elastomers: synthetic rubber



Data sheet ref:
320 99

Size	Accuracy (bar)**	Range (bar)‡	Operation	Model	Service kit
G1/4	0,01	0,02-0,5	Relieving	11-818-999	2787-96
	0,03	0,07-4	Relieving	11-818-100	2787-98
	0,05	0,4-10	Relieving	11-818-110	2787-97
	0,07	0,06-2	Relieving	11400-2G/PC100*	11400-100/20AL
	0,15	0,06-4	Relieving	11400-2G/PE100*	11400-100/20AL
	0,25	0,16-7	Relieving	11400-2G/PG100*	11400-100/20AL
1/4 NPT	1	7-20	Relieving	20AL-X2G/PK100	11400-100/20AL
	0,10	0,04-2‡	Relieving	R38-200-RNCA	R38-100R
	0,20	0,06-4‡	Relieving	R38-200-RNFA	R38-101R



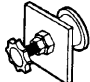
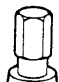
*For panel mounting substitute 3 at the last digit e.g 11400-2G/PC103

**Typical mid-range variance from set pressure with 7 bar inlet at 2 dm³/s (10 bar inlet for 20AL-X2G).

‡Can be adjusted to zero bar outlet pressure and generally to pressures in excess of those specified.

A Norgren oil removal filter should be fitted upstream of these units, see pages 286 and 308.

Accessories

	 Bracket kit	 Gauge	 Panel mounting	 Tamper resistant cap
11-818		Use downstream tee	3081-01 (Nut only, for 2,5-6 mm panel thickness)	639-02
11400	18-001-005	18-013-011 (0-4 bar) 18-013-013 (0-10 bar)	18-003-999	18-004-997
20AL-X	18-001-005	18-013-014 (0-25 bar)	18-003-026	18-004-987
R38	18-001-974 (Includes panel mounting nut)	18-013-910 (0-1,6 bar) 18-013-911 (0-4 bar)	5968-01 (Nut only)	

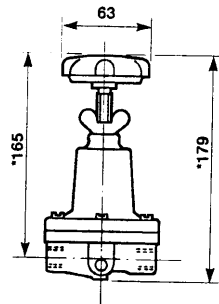
查询"11400-2G/PC100"供应商

Ported Precision Pressure Regulators

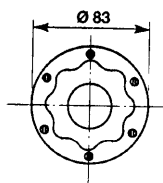
11-818, 11400, 20AL-X, R38

G¹/₄, 1/4" NPT

11400 Series
20AL-X Series

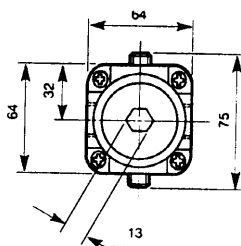
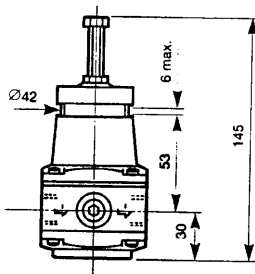


*Deduct 20 mm for 20AL-X Series



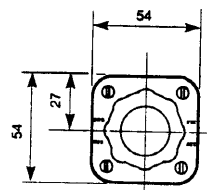
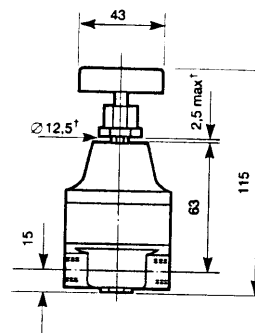
Weight - 11400, 1,00 kg
20AL-X, 1,05 kg

R38



Weight - 0,46 kg

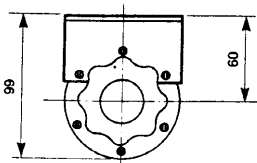
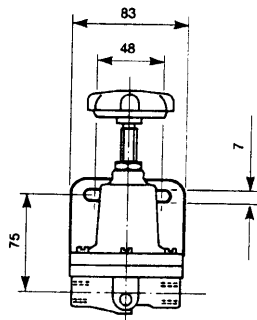
11-818



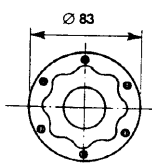
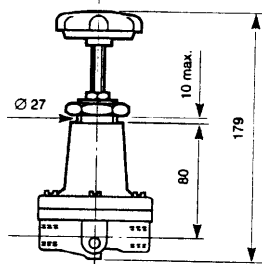
Weight - 0,59 kg

†Note: Ø 17,5 and up to 6 mm max. panel thickness when used with optional panel mounting nut reference 3081-01. To order see accessories opposite.

Bracket mounting
11400 Series
20AL-X Series



Panel mounting
11400 Series
20AL-X Series



R38 Bracket mounting

