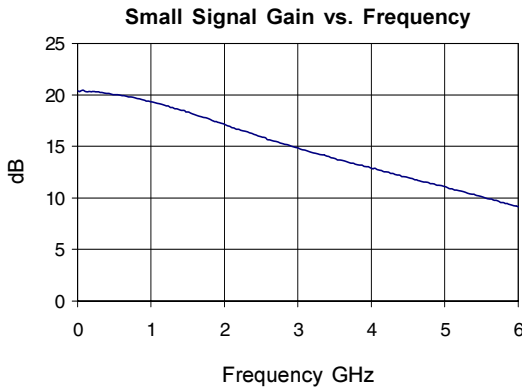


Product Description

查询 SGA-0363 供应商

Stanford Microdevices' SGA-0363 is a high performance cascadeable 50-ohm amplifier designed for operation at voltages as low as 2.5V. This RFIC uses the latest Silicon Germanium Heterostructure Bipolar Transistor (SiGe HBT) process featuring 1 micron emitters with F_T up to 50 GHz.

This circuit uses a Darlington pair topology with resistive feedback for broadband performance as well as stability over its entire temperature range. Internally matched to 50 Ohm impedance, the SGA-0363 requires only DC blocking and bypass capacitors for external components.



SGA-0363

DC-5000 MHz, Silicon Germanium Cascadeable Gain Block



Product Features

- DC-5000 MHz Operation
- Single Voltage Supply
- Low Current Draw: 11mA at 2.5V typ.
- High Output Intercept: 14 dBm typ. at 1950MHz

Applications

- Oscillator Amplifiers
- Broadband Gain Blocks
- IF/RF Buffer Amplifiers

Symbol	Parameters: Test Conditions: $Z_0 = 50 \text{ Ohms}$, $I_D = 11 \text{ mA}$, $T = 25^\circ\text{C}$		Units	Min.	Typ.	Max.
P_{1dB}	Output Power at 1dB Compression	$f = 850 \text{ MHz}$	dBm		2.3	
		$f = 1950 \text{ MHz}$	dBm		2.3	
		$f = 2400 \text{ MHz}$	dBm		1.6	
IP_3	Third Order Intercept Point Power out per tone = -12 dBm	$f = 850 \text{ MHz}$	dBm		14.2	
		$f = 1950 \text{ MHz}$	dBm		14.0	
		$f = 2400 \text{ MHz}$	dBm		13.1	
S_{21}	Small Signal Gain	$f = 850 \text{ MHz}$	dB		19.6	
		$f = 1950 \text{ MHz}$	dB		17.2	
		$f = 2400 \text{ MHz}$	dB		16.2	
Bandwidth	Determined by S_{11} , S_{22} values		MHz		5000	
S_{11}	Input VSWR	$f = \text{DC} - 5000\text{MHz}$	-		1.8:1	
S_{22}	Output VSWR	$f = \text{DC} - 5000\text{MHz}$	-		1.7:1	
S_{12}	Reverse Isolation	$f = 850 \text{ MHz}$	dB		24.0	
		$f = 1950 \text{ MHz}$	dB		22.8	
		$f = 2400 \text{ MHz}$	dB		22.1	
NF	Noise Figure	$f = 1950 \text{ MHz}$	dB		3.0	
V_D	Device Voltage		V		2.5	
$R_{th, j-l}$	Thermal Resistance (junction - lead)		$^\circ\text{C/W}$		255	

The information provided herein is believed to be reliable at press time. Stanford Microdevices assumes no responsibility for inaccuracies or omissions. Stanford Microdevices assumes no responsibility for the use of this information, and all such information shall be entirely at the user's own risk. Prices and specifications are subject to change without notice. No patent rights or licenses to any of the circuits described herein are implied or granted to any third party. Stanford Microdevices does not authorize or warrant any Stanford Microdevices product for use in life-support devices and/or systems. Copyright 2000 Stanford Microdevices, Inc. All worldwide rights reserved.

[查询"SGA-0363Z"供应商](#)

SGA-0363 DC-5.0 GHz 2.5V SiGe Amplifier

Absolute Maximum Ratings

Operation of this device above any one of these parameters may cause permanent damage.

Bias Conditions should also satisfy the following expression: $I_D V_D (\text{max}) < (T_J - T_{OP})/R_{th,j-l}$

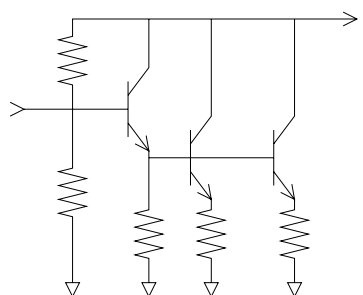
Parameter	Value	Unit
Supply Current	22	mA
Device Voltage	6	V
Operating Temperature	-40 to +85	°C
Maximum Input Power	-5	dBm
Storage Temperature Range	-40 to +150	°C
Operating Junction Temperature	+150	°C

Key parameters, at typical operating frequencies:

Parameter	Typical 25°C	Unit	Test Condition ($I_D = 11\text{mA}$, unless otherwise noted)
100 MHz			
Gain	20.4	dB	Tone spacing = 1 MHz, Pout per tone = -12dBm $Z_s = 50 \text{ Ohms}$
Output IP3	14.8	dBm	
Output P1dB	3.2	dBm	
Input Return Loss	9.3	dB	
Reverse Isolation	23.9	dB	
Noise Figure	2.9	dB	
500 MHz			
Gain	20.0	dB	Tone spacing = 1 MHz, Pout per tone = -12dBm $Z_s = 50 \text{ Ohms}$
Output IP3	14.5	dBm	
Output P1dB	2.9	dBm	
Input Return Loss	9.4	dB	
Reverse Isolation	23.9	dB	
Noise Figure	2.8	dB	
850 MHz			
Gain	19.6	dB	Tone spacing = 1 MHz, Pout per tone = -12dBm $Z_s = 50 \text{ Ohms}$
Output IP3	14.2	dBm	
Output P1dB	2.3	dBm	
Input Return Loss	9.4	dB	
Reverse Isolation	24.0	dB	
Noise Figure	3.0	dB	
1950 MHz			
Gain	17.2	dB	Tone spacing = 1 MHz, Pout per tone = -12dBm $Z_s = 50 \text{ Ohms}$
Output IP3	14.0	dBm	
Output P1dB	2.3	dBm	
Input Return Loss	10.4	dB	
Reverse Isolation	22.8	dB	
Noise Figure	3.0	dB	
2400 MHz			
Gain	16.2	dB	Tone spacing = 1 MHz, Pout per tone = -12dBm
Output IP3	13.1	dBm	
Output P1dB	1.6	dBm	
Input Return Loss	10.8	dB	
Reverse Isolation	22.1	dB	
3500 MHz			
Gain	13.8	dB	Tone spacing = 1 MHz, Pout per tone = -12dBm
Output IP3	11.5	dBm	
Output P1dB	0.8	dBm	
Input Return Loss	11.3	dB	
Reverse Isolation	20.1	dB	

查询"SGA-0363Z"供应商

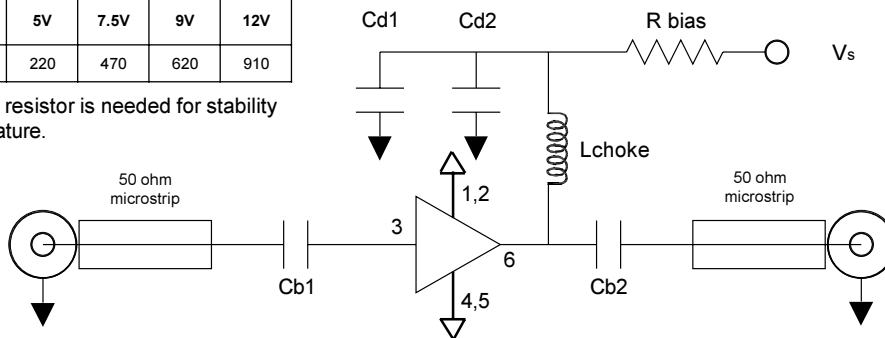
SGA-0363 DC-5.0 GHz 2.5V SiGe Amplifier

Pin #	Function	Description	Device Schematic
1	GND	Connection to ground. For best performance use via holes (as close to ground leads as possible) to reduce lead inductance.	
2	GND	Same as Pin 1	
3	RF IN	RF input pin. This pin requires the use of an external DC blocking capacitor chosen for the frequency of operation.	
4	GND	Same as Pin 1	
5	GND	Same as Pin 1	
6	RF OUT	RF output and bias pin. Bias should be supplied to this pin through an external series resistor and RF choke inductor. Because DC biasing is present on this pin, a DC blocking capacitor should be used in most applications (see application schematic). The supply side of this bias network should be well bypassed.	

Application Schematic

Recommended Bias Resistor Values				
Supply Voltage(Vs)	5V	7.5V	9V	12V
Rbias (Ohms)	220	470	620	910

Note: A bias resistor is needed for stability over temperature.

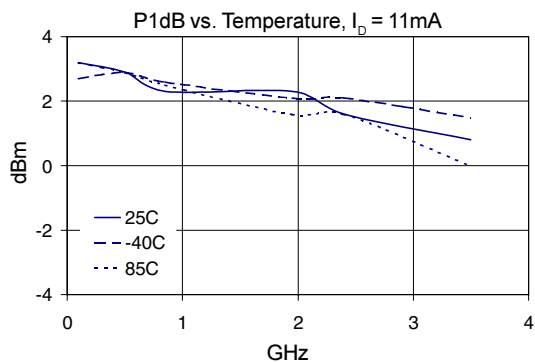
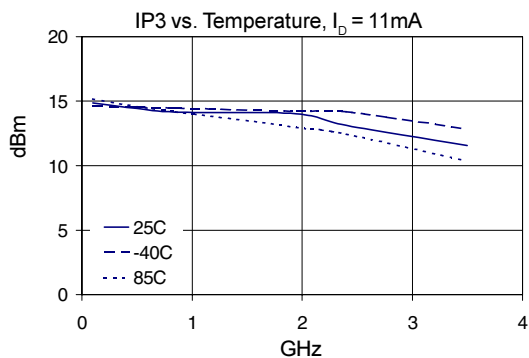
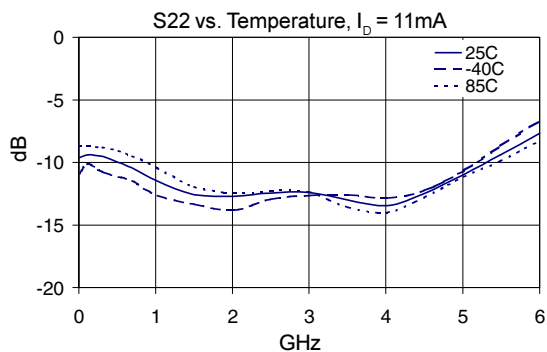
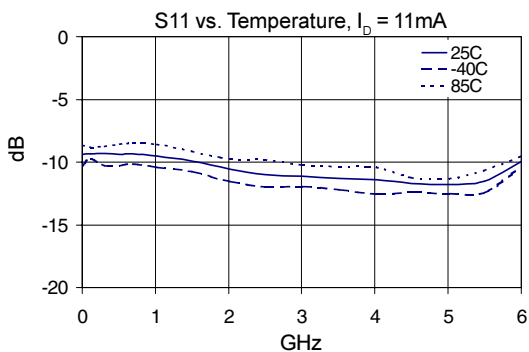
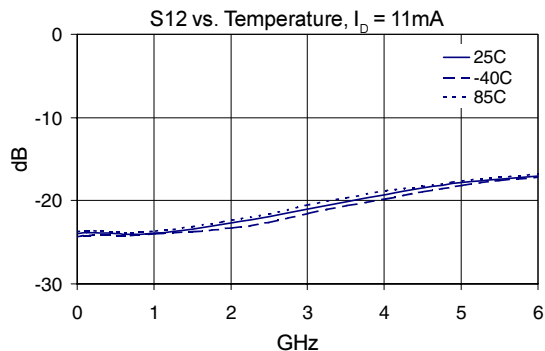
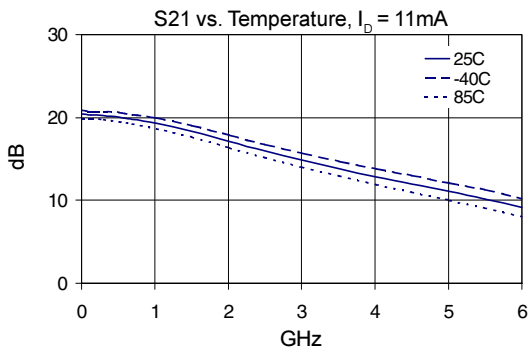


Reference Designator	Function	500 MHz	850 MHz	1950 MHz	2400 MHz
Cb1	DC Blocking	220 pF	100 pF	68 pF	56 pF
Cb2	DC Blocking	220 pF	100 pF	68 pF	56 pF
Cd1	Decoupling	1 uF	1 uF	1 uF	1 uF
Cd2	Decoupling	100 pF	68 pF	22 pF	22 pF
Lchoke	AC Blocking	68 nH	33 nH	22 nH	18 nH

[查询"SGA-0363Z"供应商](#)

Preliminary

SGA-0363 DC-5.0 GHz 2.5V SiGe Amplifier



查询"SGA-0363Z"供应商

SGA-0363 DC-5.0 GHz 2.5V SiGe Amplifier

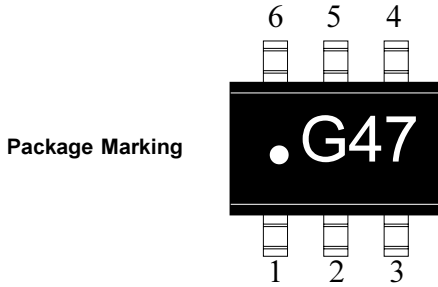


Caution: ESD sensitive

Appropriate precautions in handling, packaging and testing devices must be observed.

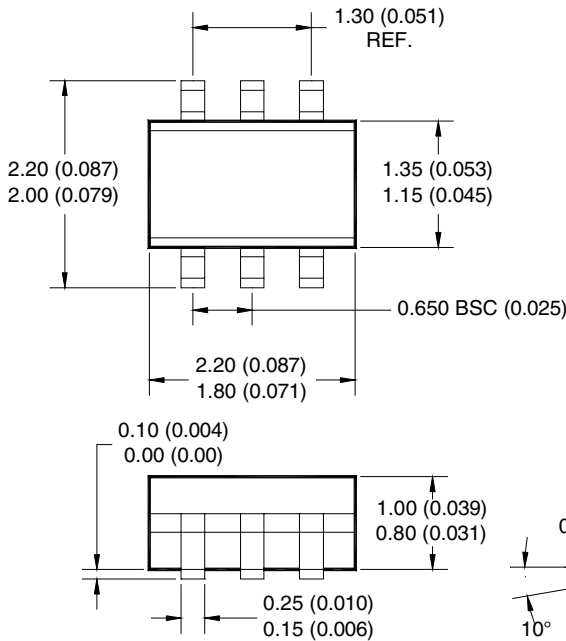
Part Number Ordering Information

Part Number	Reel Size	Devices/Reel
SGA-0363	7"	3000

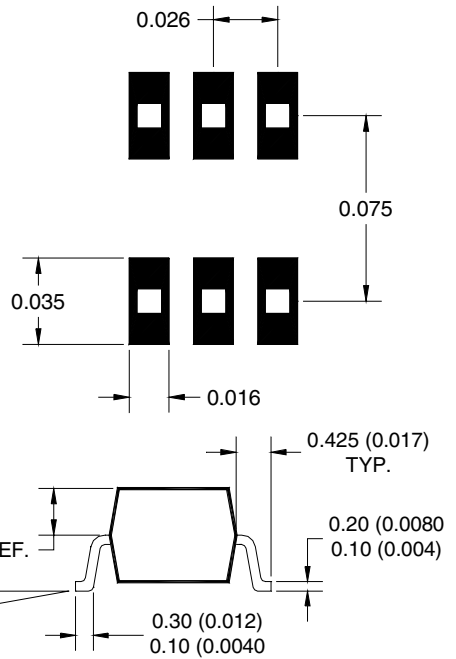


Note: Pin 1 is on lower left when you can read package marking

Package Dimensions



Pad Layout



DIMENSIONS ARE IN INCHES [MM]