

∅ 3.5mm EARPHONE JACK

查询"010178FR"供应商

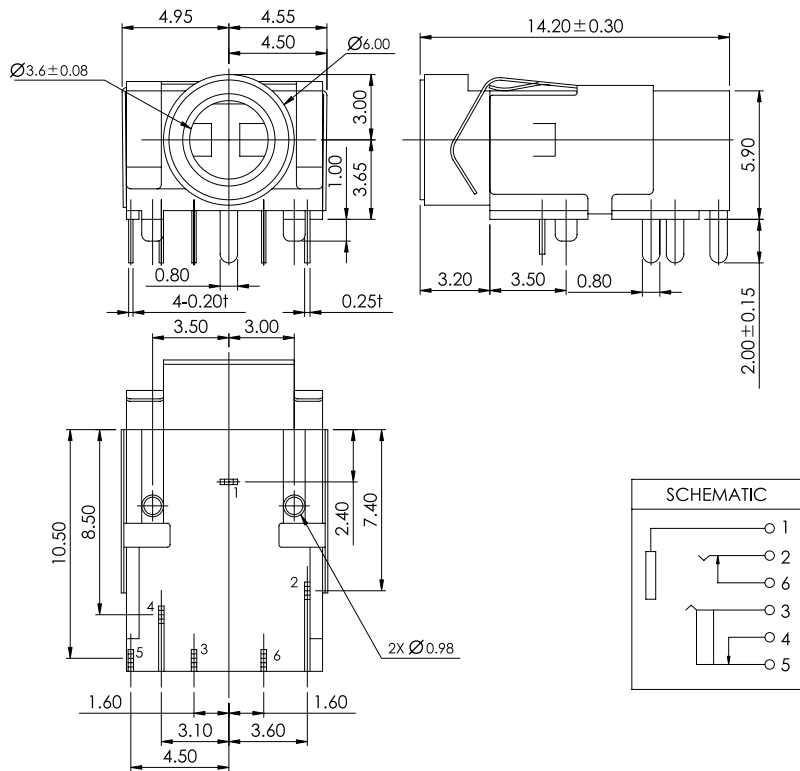
(NORMAL CLOSE TYPE)



010178FR Series

Specifications:

- **Insulator Material** : Black High Temp. Plastic
- **Operating Type Range** : -40°C TO +105°C
- **Terminal Material** : Brass
- **Platings** : Contact Gold Plated
- **Max. Current Rating** : 1.5A
- **Max. Voltage Rating** : 12V AC
- **Dielectric Strength** : 500V AC For 60 Seconds



Mobile

AUDIO JACK

Order Information

010178FR006□□00ZU
1 2 3 4 5

1. 'R' : Right Angle Dip Type
 2. No. of pins.
 3. Plating
 4. Color 'Z' : Black
 5. Package
'U' : Tube Package Without Cap
- Reference Page 11

Recommended P.C.B Layout

