

# 3M™ D Ribbon Junction Shell

Plastic

[查询“3485-1700F”供应商](#)



- Uses standard hardware
- Lightweight, compact size
- Low profile
- Full family of sizes
- Accepts flat and round cables
- RoHS\* compliant

Date Modified: February 22, 2005

TS-0028-10  
Sheet 1 of 2

---

## Physical

### Shell

Material: Glass Filled Ployester (PBT)

Flammability: UL 94V-0

**Hardware Included:** Screw 6-32 × 7/8 Pan Hd., Zinc Plated Steel (2)

**Marking:** Hex Nut 6-32 Zinc Plated Steel (2)

---

## Environmental

**Temperature Rating:** -55°C to +105°C

\*RoHS = Directive 2002/95/EC,  
Restriction of the Use of Certain Hazardous Substances in Electrical and Electronic Equipment

# 3M™ D Ribbon Junction Shell

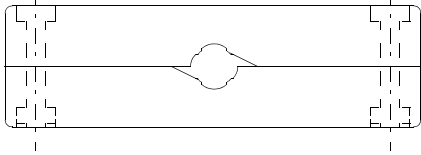
Plastic

[查询"3485-1700F"供应商](#)

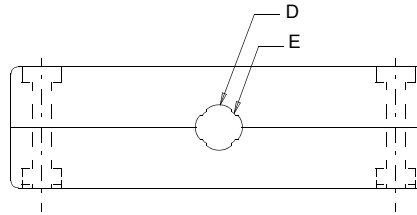
Inch [mm]			
Tolerance Unless Noted			
	.0	.00	.000
inch	±.1	±.01	±.005

[ ] Dimensions for Reference Only

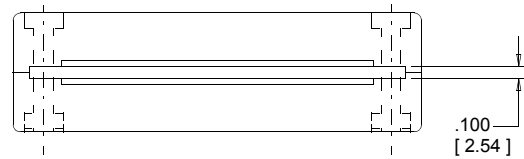
Contact Quantity	Dimensions			
	A	B	D Dia	E Dia
14	1.76 [ 44.7 ]	1.27 [ 32.3 ]	.30 [ 7.6 ]	.21 [ 6.9 ]
24	2.19 [ 55.6 ]	1.70 [ 43.2 ]	.32 [ 8.1 ]	.29 [ 7.4 ]
36	2.70 [ 68.6 ]	2.21 [ 56.1 ]	.34 [ 8.6 ]	.31 [ 7.9 ]
50	3.29 [ 83.6 ]	2.80 [ 71.1 ]	.36 [ 9.1 ]	.33 [ 8.4 ]



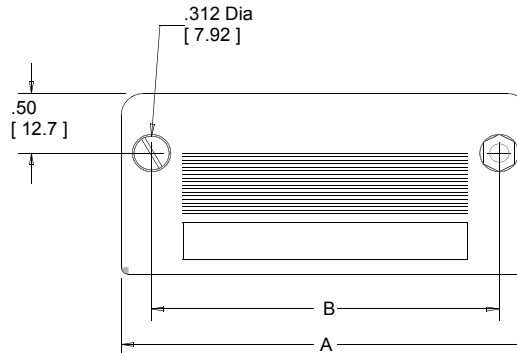
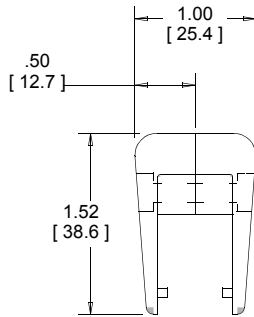
3485-1700R ( Only )



3485-XXXXR ( Round Cable )



3485-XXXXF ( Flat Cable )



Notes:

- Only the plastic 3M D Ribbon Connectors can be used with this junction shell.
- With or without strain relief on connector.

## Ordering Information

### 3485-XX00X

Connector Quantity:  
 18 = 14 Position  
 17 = 24 Position  
 28 = 36 Position  
 25 = 50 Position

Cable Type:  
 F = Flat Cable  
 R = Round Cable

TS-0028-10  
 Sheet 2 of 2

### Important Notice

All statements, technical information, and recommendations related to 3M's products are based on information believed to be reliable, but the accuracy or completeness is not guaranteed. Before using this product, you must evaluate it and determine if it is suitable for your intended application. You assume all risks and liability associated with such use. Any statements related to the product which are not contained in 3M's current publications, or any contrary statements contained on your purchase order shall have no force or effect unless expressly agreed upon, in writing, by an authorized officer of 3M.

### Warranty; Limited Remedy; Limited Liability.

This product will be free from defects in material and manufacture for a period of 1 year from the time of purchase. **3M MAKES NO OTHER WARRANTIES INCLUDING, BUT NOT LIMITED TO, ANY IMPLIED WARRANTY OF MERCHANTABILITY OR FITNESS FOR A PARTICULAR PURPOSE.** If this product is defective within the warranty period stated above, your exclusive remedy shall be, at 3M's option, to replace or repair the 3M product or refund the purchase price of the 3M product. **Except where prohibited by law, 3M will not be liable for any indirect, special, incidental or consequential loss or damage arising from this 3M product, regardless of the legal theory asserted.**



#### Electronic Solutions Division

6801 River Place Blvd.  
Austin, TX 78726-9000  
[www.3M.com/esd](http://www.3M.com/esd)



Minimum 10%  
Post-consumer Fiber

Printed in USA.

© 3M 2005