

## Features

- Compact
- Lightweight
- Long life
- Infinite resolution
- Free shaft rotation
- AC or DC
- Shaft options available
- Flexible wire leads
- Economical
- RoHS compliant\*

# 3048 Linear Motion Potentiometer

## Specifications†

Standard Electrical Travel  
 .....0.2, 0.3, 0.4, 0.5 in.  
 (5.08, 7.62, 10.16, 12.70 mm)

Standard Resistances  
 .....1K ohms to 50K ohms (± 20 %)

Independent Linearity .....± 5 %

Resolution .....Infinite

Power Rating @ 70 °C (158 °F)  
 Range 2, 3 .....0.12 watt  
 Range 4, 5 .....0.25 watt

Operating Temperature Range  
 .....-55 °C to +125 °C

Temperature Coefficient ....1000 PPM/°C

Insulation Resistance.....50 megohms  
 @ 500 VDC

Backlash .....Negligible

Shaft Actuating Force .....4 oz. max.  
 @ 70 °F

Life .....500,000 cycles

Shock.....50 G for 7 msec

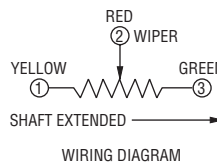
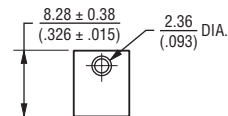
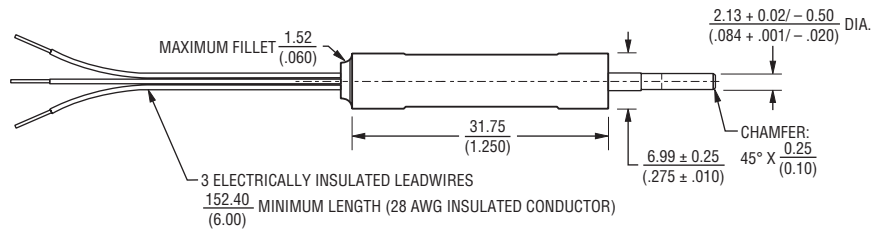
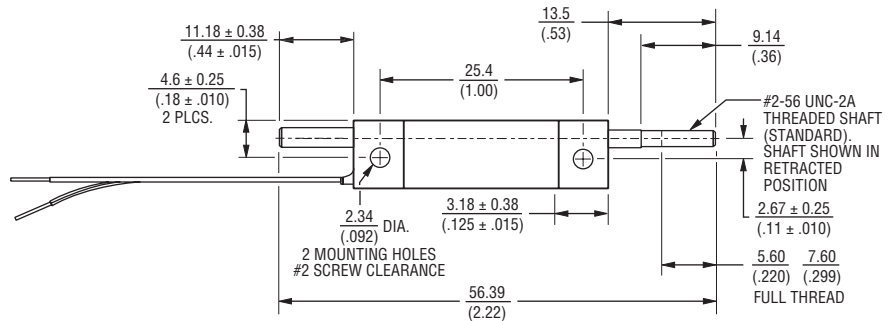
Vibration .....20 G, 10-2 kHz

Marking .....Manufacturer's trademark,  
 resistance code, wiring diagram,  
 date code, manufacturer's model  
 number and style

Specifications are typical. Contact factory for special requirements.

† Specifications applicable from 5 % to 95 % of electrical travel.

## Product Dimensions



TOLERANCES: ±  $\frac{.010}{(0.25)}$  EXCEPT WHERE NOTED

DIMENSIONS ARE:  $\frac{\text{MM}}{(\text{INCHES})}$

## How to Order

Model 3048 L - 2 - 502

Style \_\_\_\_\_

Range (Travel) \_\_\_\_\_  
 2 = 0.2 " (5.08 mm)  
 3 = 0.3 " (7.62 mm)  
 4 = 0.4 " (10.16 mm)  
 5 = 0.5 " (12.70 mm)

Resistance Value \_\_\_\_\_

## Standard Resistance Table

Resistance (Ohms)	Resistance Code
1,000	102
2,500	252
5,000	502
10,000	103
20,000	203
50,000	503