



MC3373

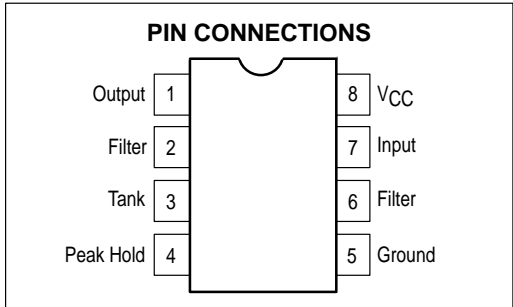
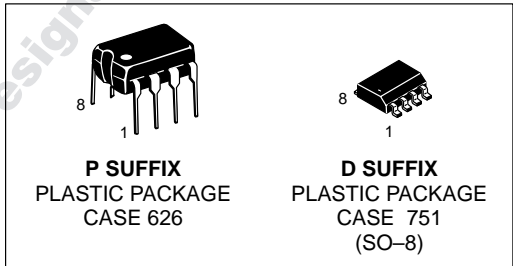
Remote Control Amplifier/Detector

The MC3373 is intended for application in infrared remote controls. It provides the high gain and pulse shaping needed to couple the signal from an IR receiver diode to the tuning control system logic.

- High Gain Pre-Amp
- Envelope Detector for PCM Demodulation
- Simple Interface to Microcomputer Remote Control Decoder
- Use with Tuned Circuit for Narrow Bandwidth, Lower Noise Operation
- Minimum External Components
- Wide Operating Supply Voltage Range
- Low Current Drain
- Improved Retrofit for NEC Part No. μ PC1373
- MC14497 Recommended IR Transmitter
- MLED81 Complementary Emitter
- MRD821 Complementary Detector Diode

REMOTE CONTROL WIDEBAND AMPLIFIER WITH DETECTOR

SEMICONDUCTOR TECHNICAL DATA



MAXIMUM RATINGS

Rating	Symbol	Value	Unit
Supply Voltage	V_{CC}	15	Vdc
Operating Temperature Range	T_A	0 to 75	$^{\circ}C$
Storage Temperature Range	T_{stg}	-55 to +125	$^{\circ}C$
Junction Temperature	T_J	150	$^{\circ}C$
Power Dissipation, Package Rating Derate above 25 $^{\circ}C$	P_D $1/\theta_{JA}$	1.25 10	W mW/ $^{\circ}C$

ORDERING INFORMATION

Device	Operating Temperature Range	Package
MC3373P	$T_A = 0$ to $+75^{\circ}C$	Plastic DIP
MC3373D		SO-8

