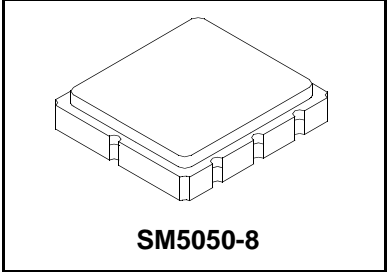


**SF1174B**

**374.00 MHz  
SAW Filter**



- **Designed for WLAN IF Applications**
- **Low Insertion Loss**
- **5.0 x 5.0 x 1.7 mm Surface-Mount Case**
- **Differential or Single Ended Input and Output**
- **Complies with Directive 2002/95/EC (RoHS)**



**Absolute Maximum Ratings**

Rating	Value	Units
Maximum Incident Power in Passband	+10	dBm
Max. DC voltage between any 2 terminals	30	VDC
Storage Temperature Range	-40 to +85	°C
Suitable for lead-free soldering - Max Soldering Profile	260°C for 30 s	

**Electrical Characteristics**

Characteristic	Sym	Notes	Min	Typ	Max	Units	
Nominal Center Frequency	$f_c$	1	374.000			MHz	
Passband	Insertion Loss at $f_c$	IL		8.7	10.0	dB	
		3 dB Passband	$BW_3$	1, 2	17	23	MHz
	Amplitude Ripple over $f_c \pm 7.0$ MHz			0.8	1.0	dB <sub>P-P</sub>	
	Group Delay Variation over $f_c \pm 7.0$ MHz	GDV			61	100	ns <sub>P-P</sub>
Rejection	$f_c - 100$ to $f_c - 33$ MHz		1, 2, 3	$f_c - 33$ to $f_c - 22$ MHz	45	54	dB
				$f_c - 22$ to $f_c - 16.5$ MHz	40	53	
				$f_c + 16.5$ to $f_c + 22$ MHz	30	40	
				$f_c + 22$ to $f_c + 43$ MHz	30	44	
				$f_c + 43$ to $f_c + 100$ MHz	35	48	
					40	49	
Operating Temperature Range	$T_A$	1	-10		+85	°C	

Differential Input / Output Impedance Match	External L-C
Case Style	SM5050-8 5 X 5 mm Nominal Footprint
Lid Symbolization (YY=year, WW=week, S=shift)	447, YYWWS

**Electrical Connections**

Connection	Terminals
Port 1 Hot	2
Port 1 Gnd Return	3
Port 2 Hot	6
Port 2 Gnd Return	7
Case Ground	All others

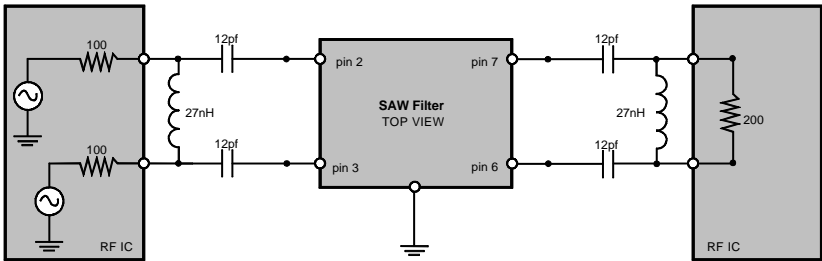


figure 1

**Notes:**

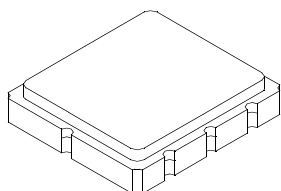
1. Unless noted otherwise, all specifications apply over the operating temperature range with filter soldered to the specified demonstration board with impedance matching to 50  $\Omega$  and measured with 50  $\Omega$  network analyzer.
2. Unless noted otherwise, all frequency specifications are referenced to the nominal center frequency,  $f_c$ .
3. Rejection is measured as attenuation below the minimum IL point in the passband. Rejection in final user application is dependent on PCB layout and external impedance matching design. See Application Note No. 42 for details.
4. "LRIP" or "L" after the part number indicates "low rate initial production" and "ENG" or "E" indicates "engineering prototypes."
5. The design, manufacturing process, and specifications of this filter are subject to change.
6. Either Port 1 or Port 2 may be used for either input or output in the design. However, impedances and impedance matching may vary between Port 1 and Port 2, so that the filter must always be installed in one direction per the circuit design.
7. US and international patents may apply.
8. RFM, stylized RFM logo, and RF Monolithics, Inc. are registered trademarks of RF Monolithics, Inc.
9. ©Copyright 1999, RF Monolithics Inc.
10. Electrostatic Sensitive Device. Observe precautions for handling



[查询"SF1174B"供应商](#)

# SM5050-8 Case

## 8-Terminal Ceramic Surface-Mount Case 5.0 X 5.0 mm Nominal Footprint



### Case Dimensions

Dimension	mm			Inches		
	Min	Nom	Max	Min	Nom	Max
A	4.8	5.0	5.2		0.1968	
B	4.8	5.0	5.2		0.1968	
C			1.7			0.0669
D		2.08			0.0818	
E		1.17			0.046	
F		0.64			0.0252	
G	2.39	2.54	2.69		0.100	

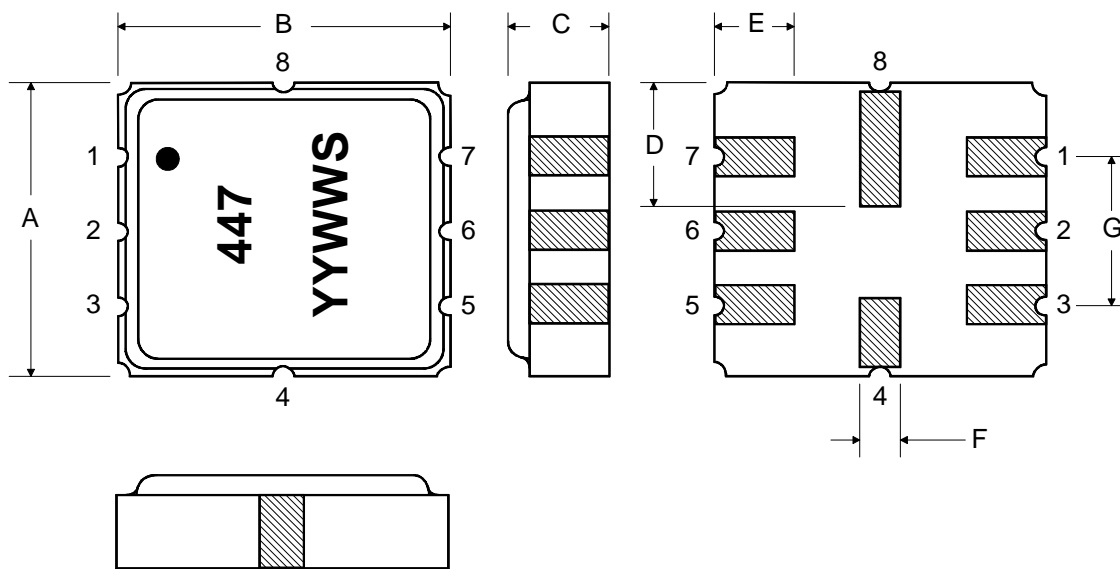
Materials	
Solder Pad Termination	Au plating 30 - 60 ulnches (76.2-152 uM) over 80-200 ulnches (203-508 uM) Ni.
Lid	Fe-Ni-Co Alloy Electroless Nickel Plate (8-11% Phosphorus) 100-200 ulnches Thick
Body	Al <sub>2</sub> O <sub>3</sub> Ceramic
Pb Free	

### Electrical Connections

Connection		Terminals
Port 1	Differential Input	2,3
Port 2	Differential Output	6,7
	Ground	All others
<b>Single Ended Operation</b>		<b>Return is ground</b>
<b>Differential Operation</b>		<b>Return is hot</b>
Dot indicates Pin 1		

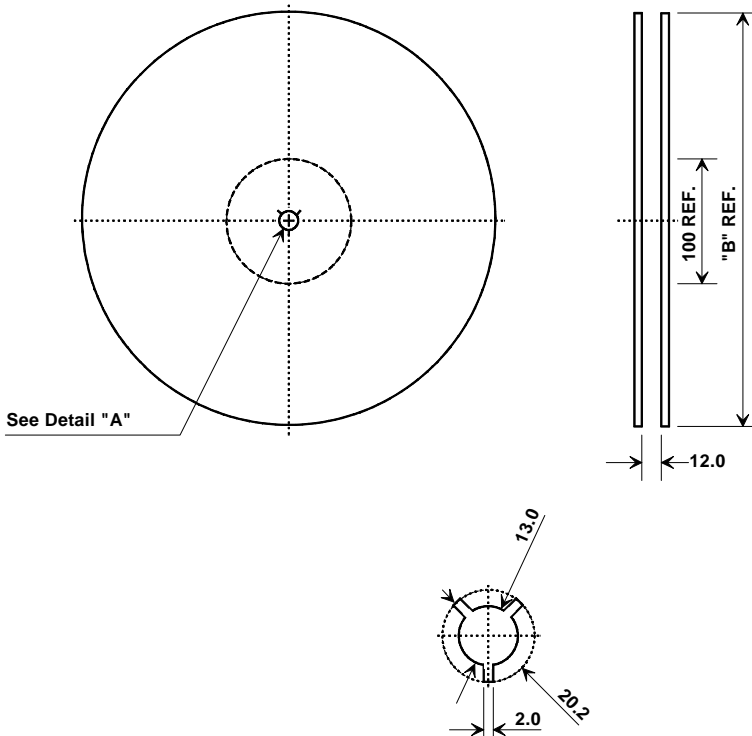
TOP VIEW

BOTTOM VIEW



[查询"SF1174B"供应商](#)

## Tape and Reel Specifications



"B" Nominal Size		Quantity Per Reel
Inches	millimeters	
7	178	500
13	330	2000

### COMPONENT ORIENTATION and DIMENSIONS

Carrier Tape Dimensions	
<b>Ao</b>	5.3 mm
<b>Bo</b>	5.3 mm
<b>Ko</b>	2.0 mm
<b>Pitch</b>	8.0 mm
<b>W</b>	12.0 mm

