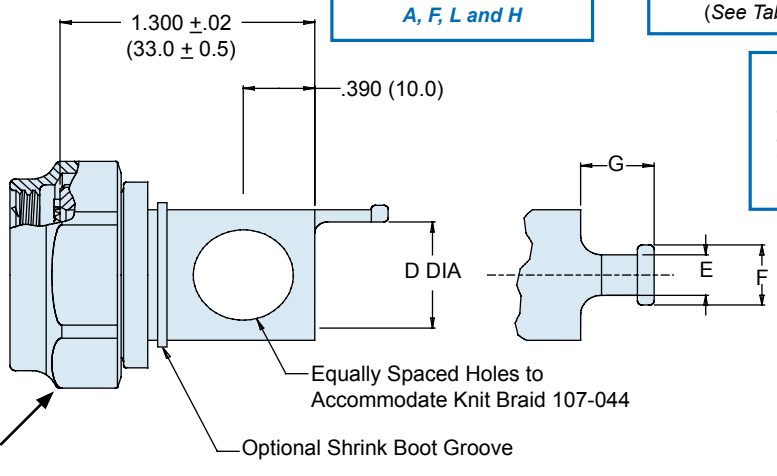
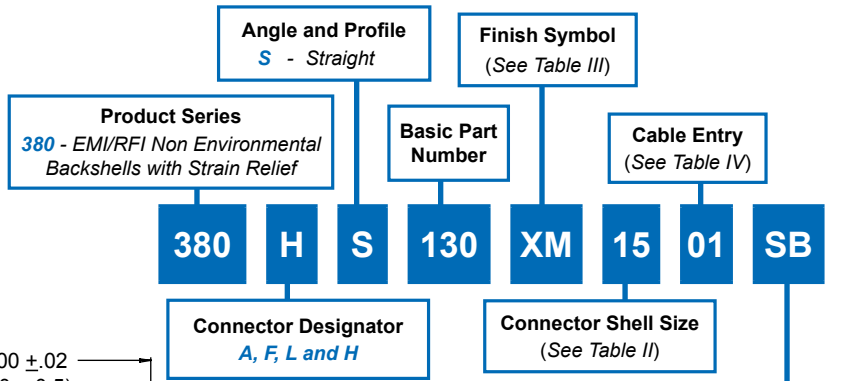




380-130 Composite Knit-Braid Style EMI/RFI Shield Termination Backshell with Qwik-Ty® and Rotatable Coupling

A

CONNECTOR DESIGNATOR:	
A	MIL-DTL-5015, -26482 Series II, and -83723 Series I and III
F	MIL-DTL-38999 Series I, II
L	MIL-DTL-38999 Series 1.5 (JN1003)
H	MIL-DTL-38999 Series III and IV
ROTATABLE COUPLING	



Self-Locking Rotatable Coupling
(See Note 4)

Shell Size	Max Entry Code**	Shell Size			
		F/L	H	Code**	Code**
08	00	08	09	01	
10	01	10	11	02	
12	02	12	13	03	
14	03	14	15	04	
16	04	16	17	05	
18	05	18	19	06	
20	06	20	21	07	
22	07	22	23	08	
24	08	24	25	09	

Entry Code**	D	E	F	G	Number of Holes
	±.010 (0.25)	±.020 (0.50)	±.020 (0.50)	±.020 (0.50)	
00	.268 (6.8)	.187 (4.8)	.312 (7.9)	.512 (13.0)	2*
01	.354 (9.0)	.187 (4.8)	.312 (7.9)	.512 (13.0)	2**
02	.472 (12.0)	.187 (4.8)	.312 (7.9)	.512 (13.0)	2**
03	.591 (15.0)	.187 (4.8)	.312 (7.9)	.630 (16.0)	2*
04	.709 (18.0)	.219 (5.6)	.369 (9.4)	.630 (16.0)	2*
05	.837 (21.3)	.219 (5.6)	.369 (9.4)	.630 (16.0)	2*
06	.945 (24.0)	.219 (5.6)	.369 (9.4)	.630 (16.0)	2*
07	1.063 (27.0)	.250 (6.4)	.437 (11.1)	.630 (16.0)	4*
08	1.191 (30.3)	.250 (6.4)	.437 (11.1)	.630 (16.0)	4*
09	1.319 (33.5)	.250 (6.4)	.437 (11.1)	.630 (16.0)	4*

*Oval Holes, .256 (6.5) x .512 (13.0) **Oval Holes, .315 (8.0) x .512 (13.0) *Circular Holes, .512 (13.0) Diameter.

Symbol	Finish Description
XM	2000 Hour Corrosion Resistant Electroless Nickel
XMT	2000 Hour Corrosion Resistant Ni-PTFE, Nickel-Fluorocarbon Polymer. 1000 Hour Grey™
XW	2000 Hour Corrosion Resistant Cadmium/Olive Drab over Electroless Nickel

- | |
|---|
| 1. For effective grounding, connector with conductive finish should be used. |
| 2. Coupling nut supplied unplated. |
| 3. Metric dimensions (mm) are in parentheses and are for reference only. |
| 4. Connector Code H supplied with black coupling nut. |
| 5. Consult factory for additional entry sizes available. |
| 6. For angled part requirements, use in conjunction with Glenair 327-060 Extenders. |
| 7. See Table I in Intro for additional connector front-end dimensional details. |