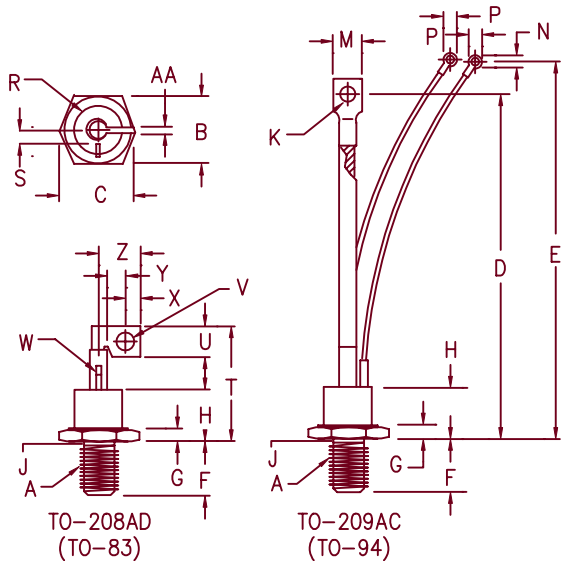


# Silicon Controlled Rectifier Series 70C

[查询"70C100BF"供应商](#)



Note 1: 1/2-20 UNF-3A  
 Note 2: Full thread within 2 1/2 threads  
 Note 3: For insulated cathode lead,  
 add suffix "IL" to catalog number

Dim.	Inches		Millimeter		Notes
	Minimum	Maximum	Minimum	Maximum	
A	---	---	---	---	1
B	1.050	1.060	26.67	26.92	
C	---	1.161	---	29.49	
D	5.850	6.144	149.10	156.06	
E	6.850	7.375	173.99	187.33	
F	.797	.827	20.24	21.01	
G	.276	.286	.701	7.26	
H	---	.948	---	24.08	
J	.425	.499	10.80	12.67	2
K	.260	.280	6.60	7.11	Dia.
M	.500	.600	12.70	15.24	
N	.140	.150	3.56	3.81	
P	---	.295	---	7.49	
R	---	.900	---	22.86	Dia.
S	.225	.275	6.48	6.99	
T	---	1.750	---	44.45	
U	.370	.380	9.40	9.65	
V	.213	.223	5.41	5.66	Dia.
W	.065	.075	1.65	1.91	Dia.
X	.215	.225	5.46	5.72	
Y	.290	.315	7.37	8.00	
Z	.514	.530	13.06	13.46	
AA	.089	.099	2.26	2.51	

Microsemi Catalog Number	Forward & Reverse Repetitive Blocking	Reverse Transient Blocking
Standard Lead	Flag Lead	
70C50B	70C50BF	600
70C60B	70C60BF	700
70C80B	70C80BF	900
70C100B	70C100BF	1100
70C120B	70C120BF	1300

To specify dv/dt other than 200V/usec., contact factory.

- High dv/dt-200 V/usec.
- 1200 Amperes surge current
- Low forward on-state voltage
- Package conforming to either TO-209AC or TO-208AD outline
- Economical for general purpose phase control applications

Electrical Characteristics		
Max. RMS on-state current	$I_T(RMS)$ 110 Amps	$T_C = 78^\circ C$
Max. average on-state cur.	$I_T(AV)$ 70 Amps	$T_C = 78^\circ C$
Max. peak on-state voltage	$V_{TM}$ 1.4 Volts	$I_{TM} = 220 A(peak)$
Max. holding current	$I_H$ 200 mA	
Max. peak one cycle surge current	$I_{TSM}$ 1600 A	$T_C = 78^\circ C, 60Hz$
Max. $I^2t$ capability for fusing	$I^2t$ 6000A <sup>2</sup> S	$t = 8.3 ms$

Thermal and Mechanical Characteristics		
Operating junction temp range	$T_J$	-65°C to 125°C
Storage temperature range	$T_{STG}$	-65°C to 150°C
Maximum thermal resistance	$R_{\theta JC}$	0.28°C/W Junction to case
Typical thermal resistance (greased)	$R_{\theta CS}$	0.20°C/W Case to sink
Max mounting torque		100-130 inch pounds
Weight		70C-B Approx. 3.6 ounces (102.0 grams) typical 70C-BF Approx. 3.24 ounces (91.8 grams) typical

# 70C

Switching			
Critical rate of rise of on-state current (note 1)	di/dt	100A/usec.	T <sub>J</sub> = 125°C
Typical delay time (note 1)	t <sub>d</sub>	3.0 usec.	
Typical circuit commuted turn-off time (note 2)	t <sub>q</sub>	100 usec.	T <sub>J</sub> = 125°C
Note 1: I <sub>TM</sub> = 50A, V <sub>D</sub> = V <sub>DRM</sub> , V <sub>GT</sub> = 12V open circuit, 20 ohm-0.1 usec. rise time Note 2: I <sub>TM</sub> = 50A, di/dt = 5A/usec., V <sub>R</sub> during turn-off interval = 50V min., reapplied dv/dt = 20V/usec., linear to rated V <sub>DRM</sub> , V <sub>GT</sub> = 0V			

Triggering			
Max. gate voltage to trigger	V <sub>GT</sub>	3.0V	T <sub>J</sub> = 25°C
Max. nontriggering gate voltage	V <sub>GD</sub>	0.25V	T <sub>J</sub> = 125°C
Max. gate current to trigger	I <sub>GT</sub>	100mA	T <sub>J</sub> = 25°C
Max. peak gate power	P <sub>GM</sub>	15W	
Average gate power	P <sub>G(AV)</sub>	3.0W	t <sub>p</sub> = 10 usec.
Max. peak gate current	I <sub>GM</sub>	4.0A	
Max. peak gate voltage (forward)	V <sub>GM</sub>	10V	
Max. peak gate voltage (reverse)	V <sub>GM</sub>	5.0V	

Blocking			
Max. leakage current	I <sub>DRM</sub> , I <sub>RRM</sub>	10mA	T <sub>J</sub> = 125°C & V <sub>DRM</sub> , V <sub>RRM</sub>
Max. reverse leakage	I <sub>DRM</sub> , I <sub>RRM</sub>	100uA	T <sub>J</sub> = 25°C & V <sub>DRM</sub> , V <sub>RRM</sub>
Critical rate of rise of off-state voltage	dv/dt	200V/usec.	T <sub>J</sub> = 125°C

# 70C

[查询"70C100BF"供应商](#)

Figure 1  
Typical Forward On-State Characteristics

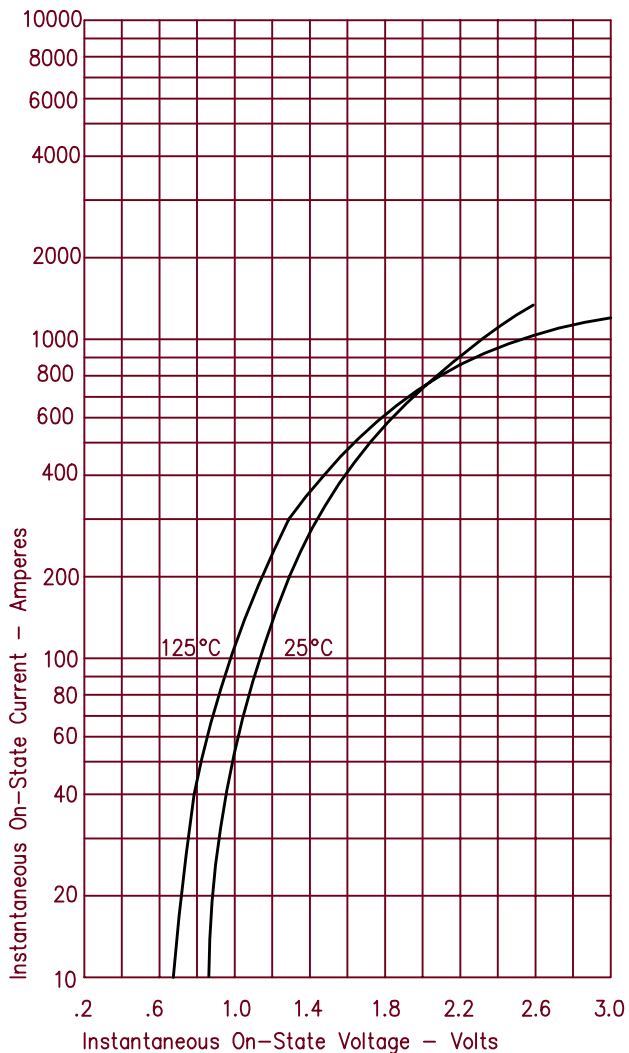


Figure 3  
Maximum Power Dissipation

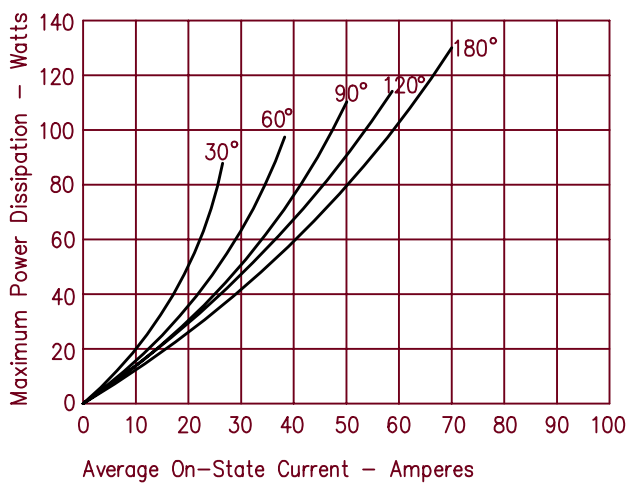


Figure 4  
Transient Thermal Impedance

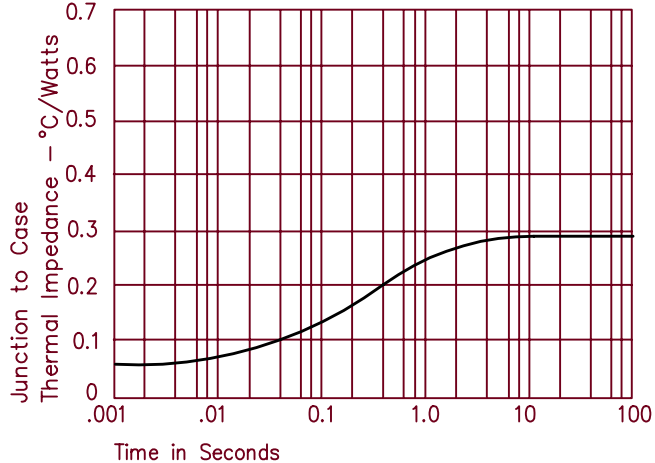


Figure 2  
Forward Current Derating

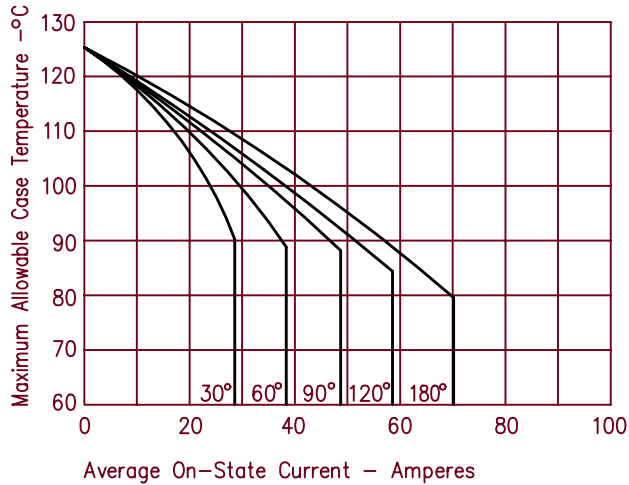


Figure 5  
Maximum Nonrepetitive Surge Current

