

Home Phone Networking Magnetic Module

EPB5047S



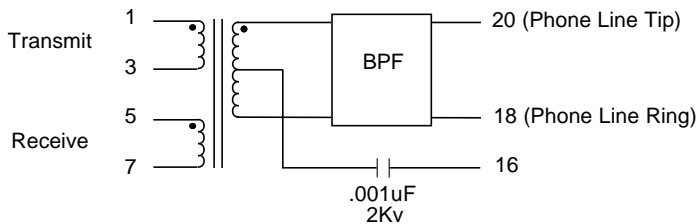
- Optimized for Broadcom's BCM 4210
- UL/IEC 950 Approved File #132261
- Robust construction allows for IR/VP processes
 - 1500 Vrms Isolation
- Enhanced Common Mode Attenuation to pass FCC Class B
- Temperature Range -40°C to +85°C

Electrical Parameters @ 25° C

Cut-off Frequency		Insertion Loss (dB Max.)		Return Loss (dB Min.)	Attenuation (dB Min.)			Common to Differential (dB Min.)	Turns Ratio	
Lower Band	Upper Band	4.25 MHz - 9.75 MHz		6 MHz - 9MHz	@ 1.1 MHz	@ 22 MHz	@ 54 MHz	200 KHz - 22 MHz	Pins 20-18:1-3	Pins 20-18:5-7
3.5	11.5	-1.0 Min.	-2.2 Max.	-12	-60	-35	-50	-40	1:1.667	1:2

• Filter Characteristic Impedance : 100 Ω •

Schematic

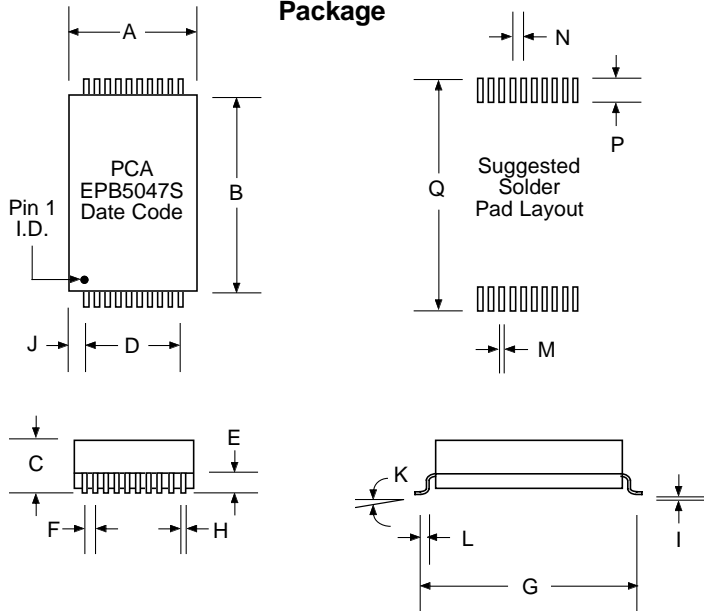


Input Impedance

With 44.2 Ω load across pins 1 and 3, please refer to the table below. The magnitude of the input impedance shall be > 10 Ω from 0-30 MHz and shall conform to the following lower-bound mask:

Frequency Range (KHz)	Minimum Impedance Ω	Frequency Range (KHz)	Minimum Impedance Ω
0 < f <= 0.285	1 M	1000 < f <= 1400	175
0.285 < f <= 2.85	100 K	1400 < f <= 2300	100
2.85 < f <= 28.5	10 K	2300 < f <= 2850	50
28.5 < f <= 95	4.0 K	2850 < f <= 3085	25
95 < f <= 190	2.0 K	3085 < f <= 3725	10
190 < f <= 285	1.4 K	3725 < f <= 3935	25
285 < f <= 380	1.0 K	3935 < f <= 4000	50
380 < f <= 475	850	10000 < f <= 10450	40
475 < f <= 570	700	10450 < f <= 10925	25
570 < f <= 665	600	10925 < f <= 13125	10
665 < f <= 760	525	13125 < f <= 14175	25
760 < f <= 855	450	14175 < f <= 16800	50
855 < f <= 950	400	16800 < f <= 21000	100
950 < f <= 1000	350	21000 < f <= 30000	50

Package



Dimensions

Dim.	(Inches)			(Millimeters)		
	Min.	Max.	Nom.	Min.	Max.	Nom.
A	.600	.620	.610	15.24	15.75	15.49
B	.970	.990	.980	24.64	25.15	24.89
C	.225	.245	.235	5.72	6.22	5.97
D	---	---	.450	---	---	11.43
E	.010	.015	.013	.254	.381	.330
F	---	---	.050	---	---	1.27
G	1.140	1.160	1.150	28.96	29.46	29.21
H	.016	.022	.019	.406	.559	.483
I	.008	.012	.010	.203	.305	.254
J	---	---	.080	---	---	2.03
K	0°	8°	---	0°	8°	---
L	.025	.045	.035	.635	1.14	.889
M	---	---	.030	---	---	.762
N	---	---	.050	---	---	1.27
P	---	---	.090	---	---	2.29
Q	---	---	1.18	---	---	29.97