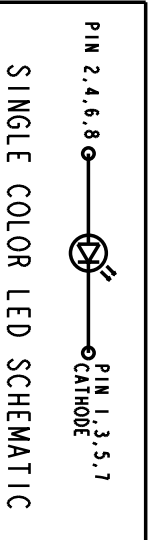
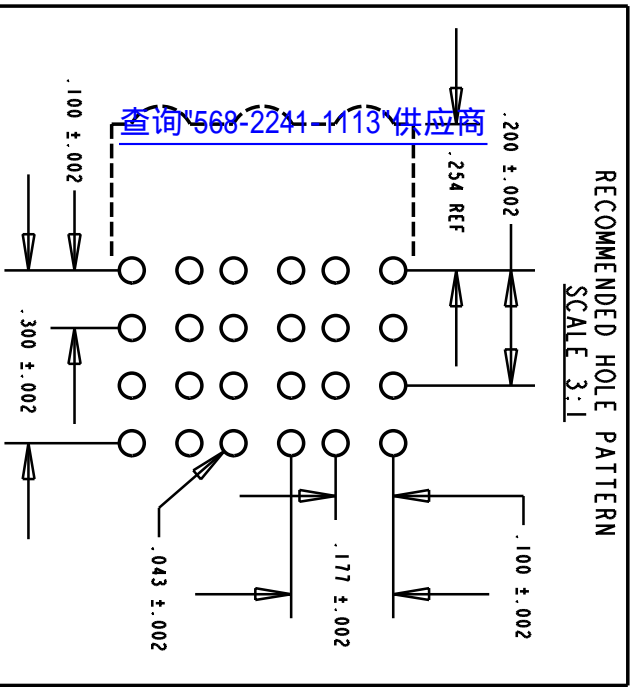
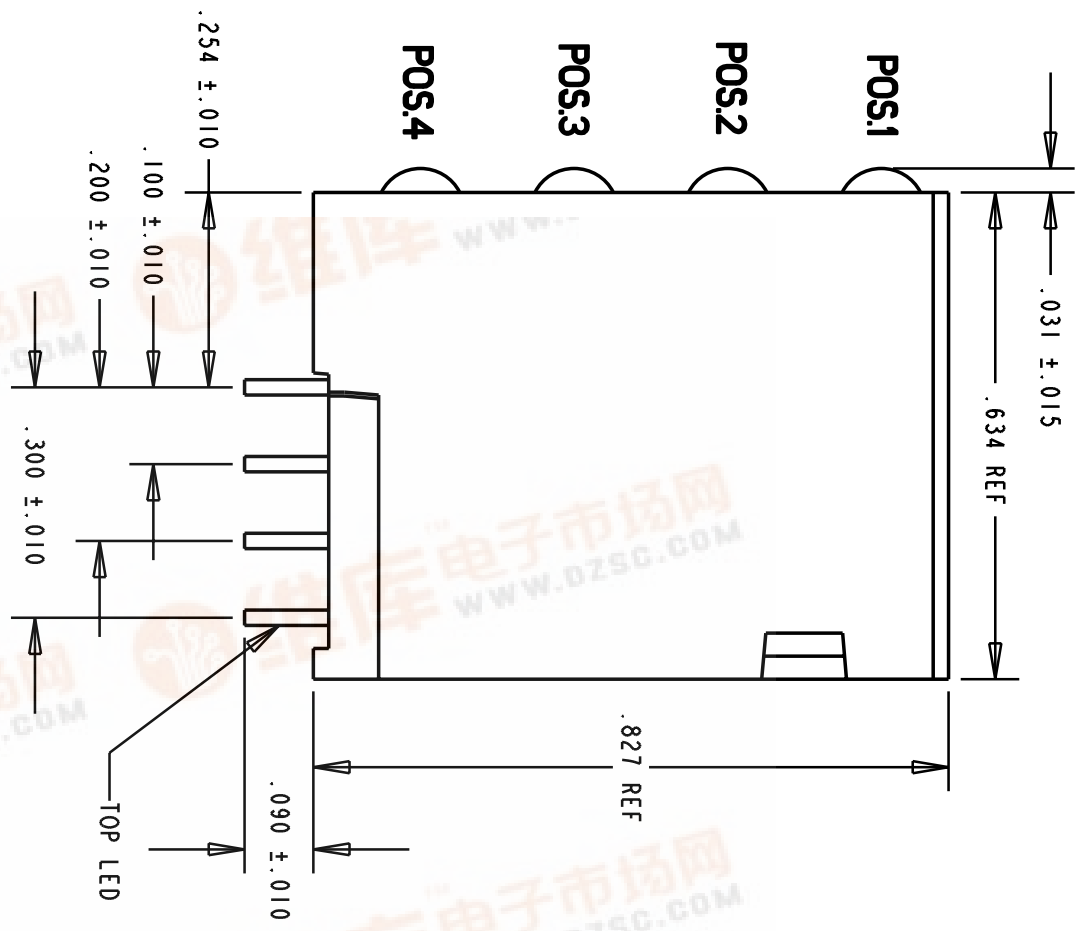
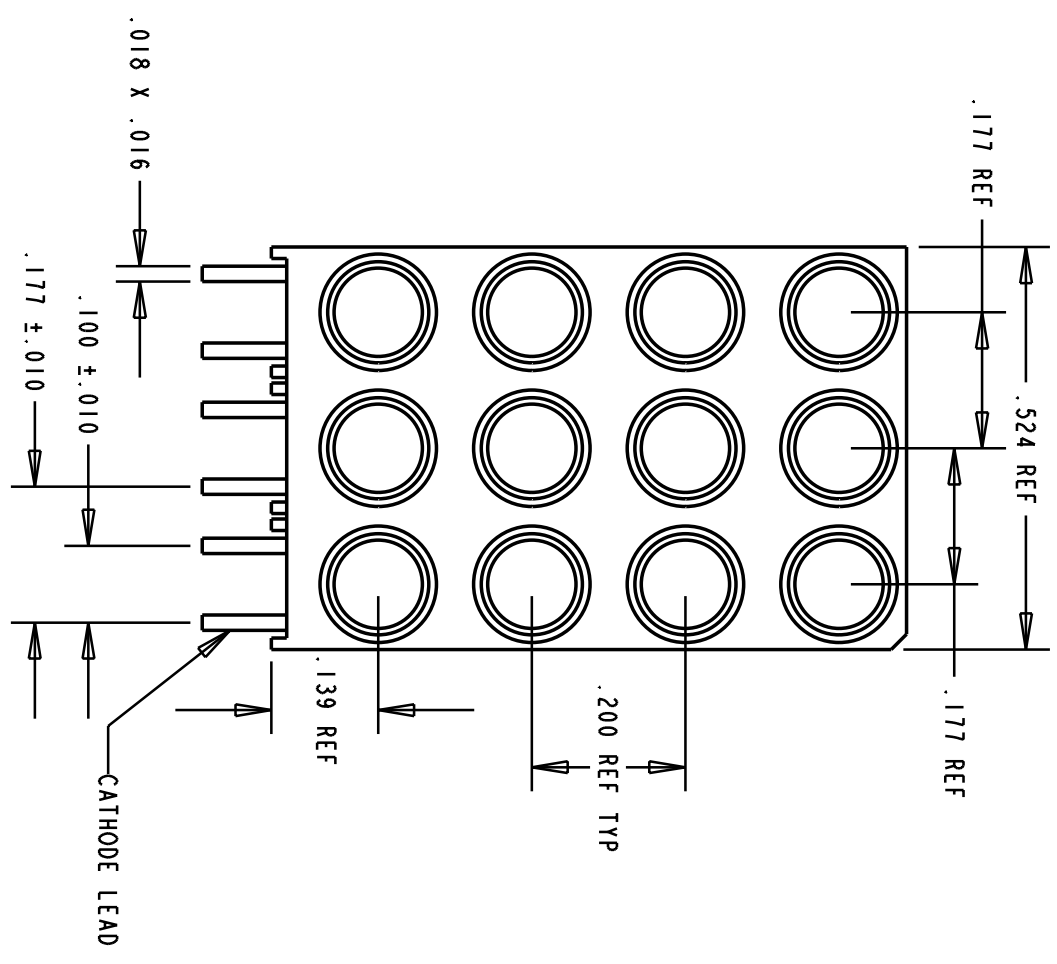


PART NUMBER	POSITION 1 *	POSITION 2	POSITION 3	POSITION 4
568-2241-1113	RED NON-DIFFUSED	RED NON-DIFFUSED	RED NON-DIFFUSED	RED NON-DIFFUSED
568-2242-2223	GREEN NON-DIFFUSED	GREEN NON-DIFFUSED	GREEN NON-DIFFUSED	GREEN NON-DIFFUSED
568-2243-3333	YELLOW NON-DIFFUSED	YELLOW NON-DIFFUSED	YELLOW NON-DIFFUSED	YELLOW NON-DIFFUSED



REV.	ECN NO.	REVISIONS	DRN.	CKD.	APP.	DATE
A		NEW RELEASE				

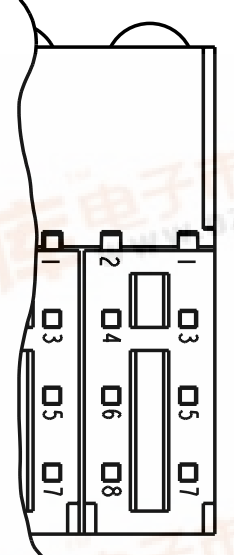


NOTES:

- LEADS TO FIT INTO HOLES SPACED AS PER HOLE PATTERN
- LEADS TO BE FREE OF DEFORMATION AFTER BENDING AND CUTTING
- PIN NUMBERS FOR REFERENCE ONLY, DESIGNATION NON-EXISTENT ON PART
- LED LEAD DIMENSIONS SHOWN ARE MEASURED AT HOUSING EXIT
- PACKAGING = 105 BLOCKS PER TRAY
- DIALIGHT PART NUMBER: 568-224X-XXXX

OPERATING CHARACTERISTICS AT 25°C AMBIENT						
CHARACTERISTICS	LED COLOR	MIN	TYP	MAX	UNITS	TEST CONDITIONS
LUMINOUS INTENSITY	RED	8.7	29			I _f = 10 mA
	GREEN	32	50			
	YELLOW	10		50		
FORWARD VOLTAGE	RED		2.0	2.8		I _f = 20 mA
	GREEN		2.1	2.8		
	YELLOW		2.1	2.8		
REVERSE CURRENT	ALL		100		µA	V _r = 5 V
PEAK WAVELENGTH	RED		635			nm
	GREEN		565			
	YELLOW		585			
VIEWING ANGLE	ALL		45		Degree	
	RED		20			
	GREEN		35			
CAPACITANCE	YELLOW				15	pF

ABSOLUTE MAXIMUM RATING AT 25°C AMBIENT						
POWER DISSIPATION	UNITS	RED	GREEN	YELLOW		
DERATE LINEARLY FROM 50°C	mW	100	100	60		
CONTINUOUS FORWARD CURRENT	mA/°C	0.4	0.4	0.25		
PEAK FORWARD CURRENT (1/10 DUTY CYCLE, 0.1 ms PULSE WIDTH)	mA	30	30	20		
REVERSE VOLTAGE	V	120	120	80		
LEAD SOLDERING TEMPERATURE, 5 SEC., 1/16" FROM BODY	°C	260	260	260		
OPERATING TEMPERATURE	°C	-55 TO +100	-55 TO +100	-55 TO +100		
STORAGE TEMPERATURE	°C	-55 TO +100	-55 TO +100	-55 TO +100		



THIS DRAWING AND THE CONTENTS HEREIN ARE CONFIDENTIAL AND THE SOLE PROPERTY OF DIALIGHT. REPRODUCTION OF THIS DRAWING OR CONSTRUCTION OF ANY PARTS WITHIN THIS DRAWING ARE FORBIDDEN WITHOUT THE WRITTEN CONSENT OF DIALIGHT.

SCALE 4:1
 ALL DIM'S IN: INCHES
 TOLERANCES: UNLESS OTHERWISE SPECIFIED
 FRACTIONS: ±1/64
 DECIMALS (.XX): ±.020
 DECIMALS (.XXX): ±.015
 DECIMALS (.XXXX): ±.015
 ANGLES: ±3°
 FINISH:
 FSCM 83330

DRAWING NUMBER: C-16615
 TITLE: 4X3 CBI ARRAY BLOCK
 MATERIAL: A
 REV: A

Dialight
 1913 ATLANTIC AVE
 MANASQUAN, N. J. 08735