

May 1998

LM337L 3-Terminal Adjustable Regulator

General Description

The LM337L is an adjustable 3-terminal negative voltage regulator capable of supplying 100 mA over a 1.2V to 37V output range. It is exceptionally easy to use and requires only two external resistors to set the output voltage. Furthermore, both line and load regulation are better than standard fixed regulators. Also, the LM337L is packaged in a standard TO-92 transistor package which is easy to use.

In addition to higher performance than fixed regulators, the LM337L offers full overload protection. Included on the chip are current limit, thermal overload protection and safe area protection. All overload protection circuitry remains fully functional even if the adjustment terminal is disconnected.

Normally, only a single 1 μ F solid tantalum output capacitor is needed unless the device is situated more than 6 inches from the input filter capacitors, in which case an input bypass is needed. A larger output capacitor can be added to improve transient response. The adjustment terminal can be bypassed to achieve very high ripple rejection ratios which are difficult to achieve with standard 3-terminal regulators.

Besides replacing fixed regulators, the LM337L is useful in a wide variety of other applications. Since the regulator is "floating" and sees only the input-to-output differential voltage, supplies of several hundred volts can be regulated as long as the maximum input-to-output differential is not exceeded.

Also, it makes an especially simple adjustable switching regulator, a programmable output regulator, or by connecting a fixed resistor between the adjustment and output, the LM337L can be used as a precision current regulator. Supplies with electronic shutdown can be achieved by clamping the adjustment terminal to ground which programs the output to 1.2V where most loads draw little current.

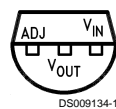
The LM337L is available in a standard TO-92 transistor package and a SO-8 surface mount package. The LM337L is rated for operation over a -25°C to $+125^{\circ}\text{C}$ range.

For applications requiring greater output current in excess of 0.5A and 1.5A, see LM137 series data sheets. For the positive complement, see series LM117 and LM317L data sheets.

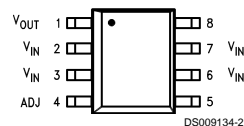
Features

- Adjustable output down to 1.2V
- Guaranteed 100 mA output current
- Line regulation typically 0.01%/V
- Load regulation typically 0.1%
- Current limit constant with temperature
- Eliminates the need to stock many voltages
- Standard 3-lead transistor package
- 80 dB ripple rejection
- Output is short circuit protected

Connection Diagram



DS009134-1
Bottom View



DS009134-2
Top View

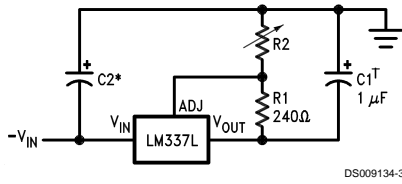
Order Number LM337LM or LM337LZ
See NS Package Number M08A or Z03A

LM337L 3-Terminal Adjustable Regulator

| Absolute Maximum Ratings (Note 1) | | Storage Temperature | -55°C to +150°C | | |
|-----------------------------------------------------------------------------------------------------------------------------------------------------------------------------------------------------------------------------------------------------------------------------------------------------------------------------------------------------------------------------------------------------------------------------------------------------------------------------------------------------------------------------------------------------------------------------------------------------------------------------------------------------------------------------------------------------------------------------------------------------------------------------------------------------------------------------------------------------------------------------------------------------------------------------------------------------------------------------------------------------------------------------------------------------------------------------------------------------------------------------------------------------------------------------------------------------------------------------------------------------------------------------------------------------------|----------------------------------------------------------------------------------------------------------------------------------------------------------------|---------------------------------------|-----------------|------|---------------|
| If Military/Aerospace specified devices are required, please contact the National Semiconductor Sales Office/Distributors for availability and specifications. | | Lead Temperature (Soldering, 10 sec.) | 300°C | | |
| | | Plastic Package (Soldering 4 sec.) | 260°C | | |
| Power Dissipation | Internally Limited | ESD rating to be determined. | | | |
| Input-Output Voltage Differential | 40V | | | | |
| Operating Junction Temperature Range | -25°C to +125°C | | | | |
| Electrical Characteristics (Note 2) | | | | | |
| Parameter | Conditions | Min | Typ | Max | Units |
| Line Regulation | $T_A = 25^\circ\text{C}$, $3\text{V} \leq V_{\text{IN}} - V_{\text{OUT}} \leq 40\text{V}$, (Note 3) | | 0.01 | 0.04 | %/V |
| Load Regulation | $T_A = 25^\circ\text{C}$, $5\text{ mA} \leq I_{\text{OUT}} \leq I_{\text{MAX}}$, (Note 3) | | 0.1 | 0.5 | % |
| Thermal Regulation | $T_A = 25^\circ\text{C}$, 10 ms Pulse | | 0.04 | 0.2 | %/W |
| Adjustment Pin Current | | | 50 | 100 | μA |
| Adjustment Pin Current Change | $5\text{ mA} \leq I_L \leq 100\text{ mA}$ $3\text{V} \leq V_{\text{IN}} - V_{\text{OUT}} \leq 40\text{V}$ | | 0.2 | 5 | μA |
| Reference Voltage | $3\text{V} \leq V_{\text{IN}} - V_{\text{OUT}} \leq 40\text{V}$, (Note 4) $10\text{ mA} \leq I_{\text{OUT}} \leq 100\text{ mA}$, $P \leq 625\text{ mW}$ | 1.20 | 1.25 | 1.30 | V |
| Line Regulation | $3\text{V} \leq V_{\text{IN}} - V_{\text{OUT}} \leq 40\text{V}$, (Note 3) | | 0.02 | 0.07 | %/V |
| Load Regulation | $5\text{ mA} \leq I_{\text{OUT}} \leq 100\text{ mA}$, (Note 3) | | 0.3 | 1.5 | % |
| Temperature Stability | $T_{\text{MIN}} \leq T_j \leq T_{\text{MAX}}$ | | 0.65 | | % |
| Minimum Load Current | $ V_{\text{IN}} - V_{\text{OUT}} \leq 40\text{V}$ $3\text{V} \leq V_{\text{IN}} - V_{\text{OUT}} \leq 15\text{V}$ | | 3.5 | 5 | mA |
| | | | 2.2 | 3.5 | mA |
| Current Limit | $3\text{V} \leq V_{\text{IN}} - V_{\text{OUT}} \leq 13\text{V}$ $ V_{\text{IN}} - V_{\text{OUT}} = 40\text{V}$ | 100 | 200 | 320 | mA |
| | | 25 | 50 | 120 | mA |
| Rms Output Noise, % of V_{OUT} | $T_A = 25^\circ\text{C}$, $10\text{ Hz} \leq f \leq 10\text{ kHz}$ | | 0.003 | | % |
| Ripple Rejection Ratio | $V_{\text{OUT}} = -10\text{V}$, $F = 120\text{ Hz}$, $C_{\text{ADJ}} = 0$ $C_{\text{ADJ}} = 10\ \mu\text{F}$ | | 65 | | dB |
| | | 66 | 80 | | dB |
| Long-Term Stability | $T_A = 125^\circ\text{C}$ | | 0.3 | 1 | % |
| <p>Note 1: "Absolute Maximum Ratings" indicate limits beyond which damage to the device may occur. Operating Ratings indicate conditions for which the device is functional, but do not guarantee specific performance limits.</p> <p>Note 2: Unless otherwise specified, these specifications apply $-25^\circ\text{C} \leq T_j \leq +125^\circ\text{C}$ for the LM337L; $V_{\text{IN}} - V_{\text{OUT}} = 5\text{V}$ and $I_{\text{OUT}} = 40\text{ mA}$. Although power dissipation is internally limited, these specifications are applicable for power dissipations up to 625 mW. I_{MAX} is 100 mA.</p> <p>Note 3: Regulation is measured at constant junction temperature, using pulse testing with a low duty cycle. Changes in output voltage due to heating effects are covered under the specification for thermal regulation.</p> <p>Note 4: Thermal resistance of the TO-92 package is 180°C/W junction to ambient with $0.4''$ leads from a PC board and 160°C/W junction to ambient with $0.125''$ lead length to PC board. The M package θ_{JA} is 180°C/W in still air.</p> | | | | | |

Typical Applications

1.2V-25V Adjustable Regulator



DS009134-3

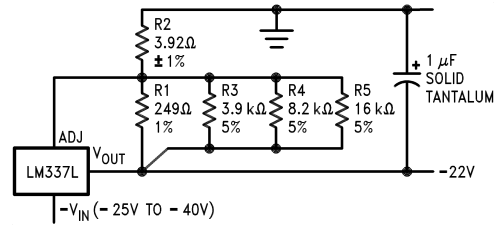
Full output current not available at high input-output voltages

$$-V_{OUT} = -1.25V \left(1 + \frac{R2}{240\Omega} \right)$$

†C1 = 1 μF solid tantalum or 10 μF aluminum electrolytic required for stability

*C2 = 1 μF solid tantalum is required only if regulator is more than 4" from power supply filter capacitor

Regulator with Trimmable Output Voltage



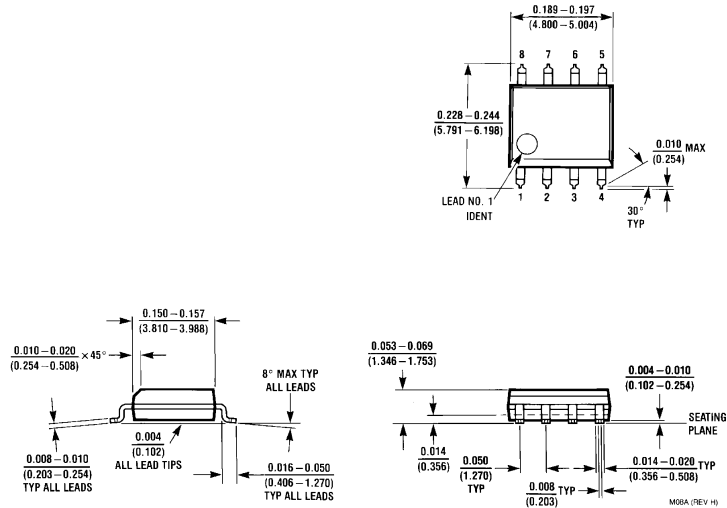
DS009134-4

Trim Procedure:

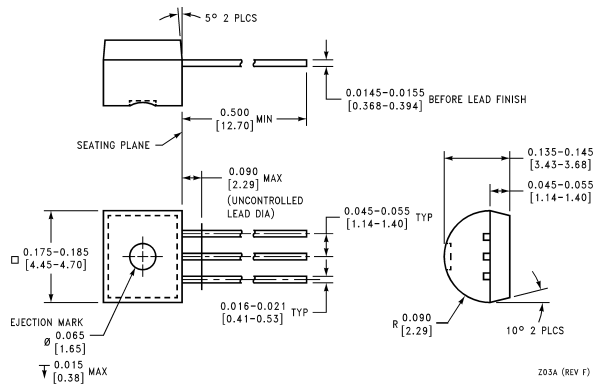
- If V_{OUT} is $-23.08V$ or bigger, cut out R3 (if smaller, don't cut it out).
- Then if V_{OUT} is $-22.47V$ or bigger, cut out R4 (if smaller, don't).
- Then if V_{OUT} is $-22.16V$ or bigger, cut out R5 (if smaller, don't).

This will trim the output to well within 1% of $-22.00 V_{DC}$, without any of the expense or trouble of a trim pot (see LB-46). Of course, this technique can be used at any output voltage level.

Physical Dimensions inches (millimeters) unless otherwise noted



SO-8 Plastic Package (M)
Order Number LM337LM
NS Package Number M08A



TO-92 Plastic Package (Z)
Order Number LM337LZ
NS Package Number Z03A

Notes

LIFE SUPPORT POLICY

NATIONAL'S PRODUCTS ARE NOT AUTHORIZED FOR USE AS CRITICAL COMPONENTS IN LIFE SUPPORT DEVICES OR SYSTEMS WITHOUT THE EXPRESS WRITTEN APPROVAL OF THE PRESIDENT AND GENERAL COUNSEL OF NATIONAL SEMICONDUCTOR CORPORATION. As used herein:

1. Life support devices or systems are devices or systems which, (a) are intended for surgical implant into the body, or (b) support or sustain life, and whose failure to perform when properly used in accordance with instructions for use provided in the labeling, can be reasonably expected to result in a significant injury to the user.
2. A critical component is any component of a life support device or system whose failure to perform can be reasonably expected to cause the failure of the life support device or system, or to affect its safety or effectiveness.



National Semiconductor Corporation
Americas
Tel: 1-800-272-9959
Fax: 1-800-737-7018
Email: support@nsc.com

www.national.com

National Semiconductor Europe
Fax: +49 (0) 1 80-530 85 86
Email: europe.support@nsc.com
Deutsch Tel: +49 (0) 1 80-530 85 85
English Tel: +49 (0) 1 80-532 78 32
Français Tel: +49 (0) 1 80-532 93 58
Italiano Tel: +49 (0) 1 80-534 16 80

National Semiconductor Asia Pacific Customer Response Group
Tel: 65-2544466
Fax: 65-2504466
Email: sea.support@nsc.com

National Semiconductor Japan Ltd.
Tel: 81-3-5639-7560
Fax: 81-3-5639-7507