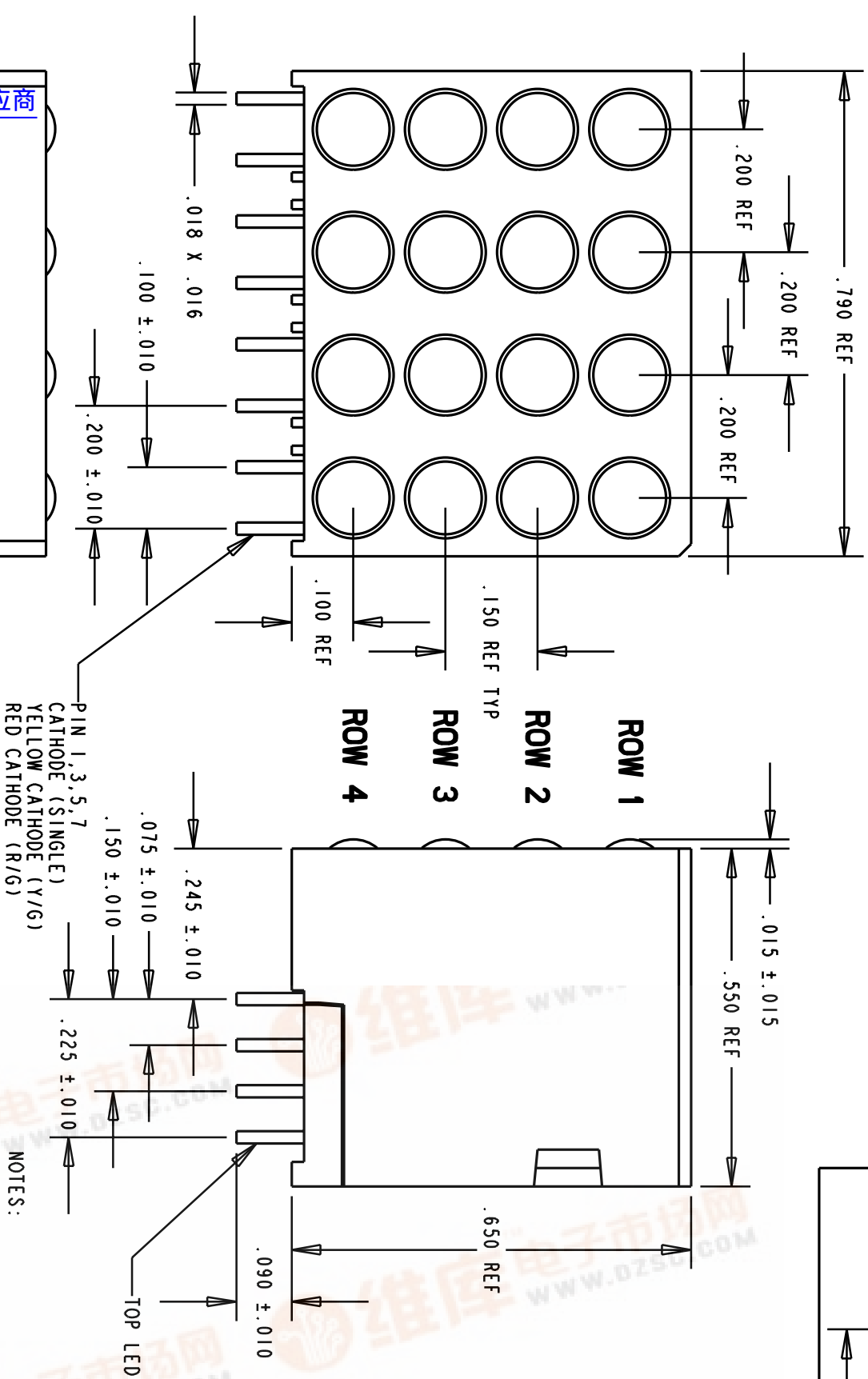
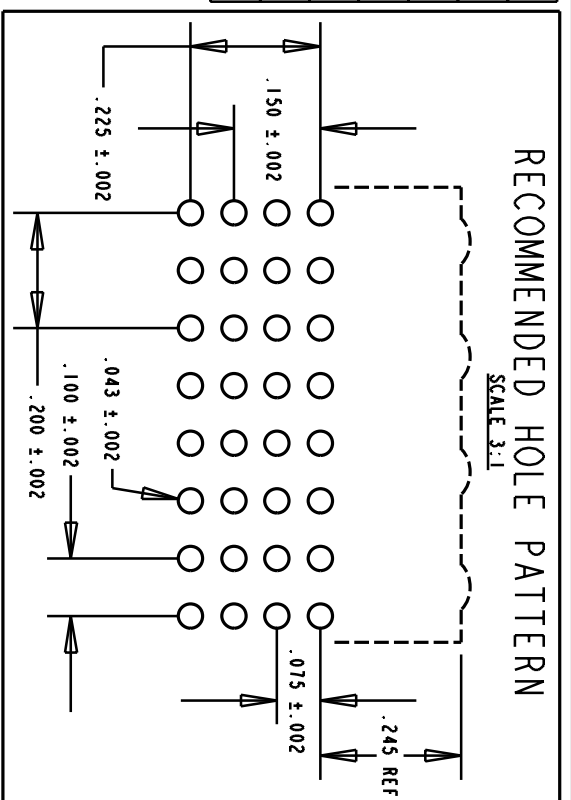


PART NUMBER	LED COLOR			
	ROW 1	ROW 2	ROW 3	ROW 4
568-0731-1114	RED / GREEN	RED / GREEN	RED / GREEN	RED / GREEN
568-0734-4444	YELLOW / GREEN	YELLOW / GREEN	YELLOW / GREEN	YELLOW / GREEN
568-2231-1114	RED NON-DIFFUSED	RED NON-DIFFUSED	RED NON-DIFFUSED	RED NON-DIFFUSED
568-2232-2224	GREEN NON-DIFFUSED	GREEN NON-DIFFUSED	GREEN NON-DIFFUSED	GREEN NON-DIFFUSED
568-2233-3334	YELLOW NON-DIFFUSED	YELLOW NON-DIFFUSED	YELLOW NON-DIFFUSED	YELLOW NON-DIFFUSED

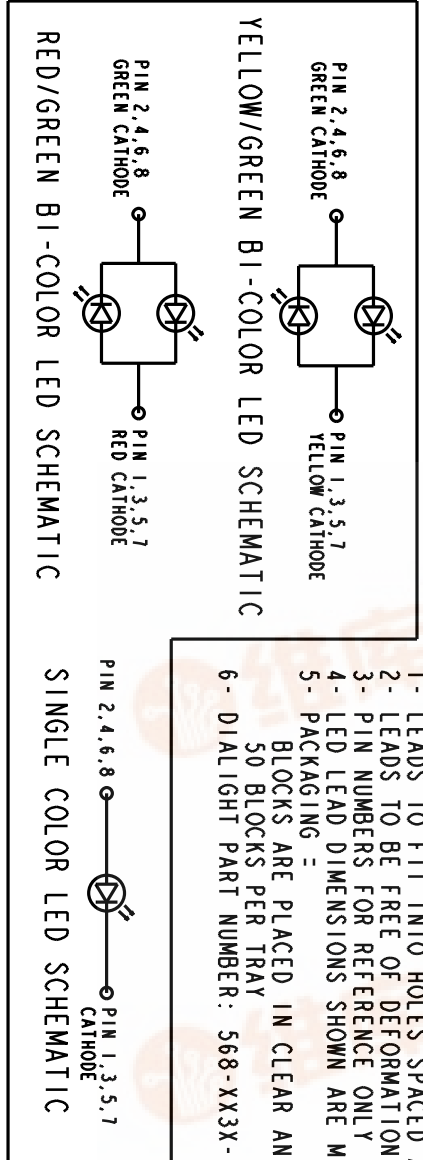


PIN 1, 3, 5, 7
CATHODE (SINGLE)
YELLOW CATHODE (Y/G)
RED CATHODE (R/G)

NOTES:

- LEADS TO FIT INTO HOLES SPACED AS PER HOLE PATTERN
- LEADS TO BE FREE OF DEFORMATION AFTER BENDING AND CUTTING
- PIN NUMBERS FOR REFERENCE ONLY - DO NOT EXIST ON PART
- LED LEAD DIMENSIONS SHOWN ARE MEASURED AT HOUSING EXIT
- PACKAGING =
- BLOCKS ARE PLACED IN CLEAR ANTISTATIC TRAY
- 50 BLOCKS PER TRAY
- DIALIGHT PART NUMBER: 568-XX3X-XXXX

OPERATING CHARACTERISTICS AT 25°C AMBIENT					
CHARACTERISTICS	LED COLOR	MIN	TYP	MAX	UNITS TEST CONDITIONS
LUMINOUS INTENSITY	RED	8.7	29		mcd I F = 10 mA
	GREEN	32	50		
	YELLOW	10		50	
FORWARD VOLTAGE	RED / GREEN	2.5/3.7	4.7/10.0		V I F = 20 mA
	YELLOW / GREEN	2.5	4.3/6.3		
	RED		2.0	2.8	
	GREEN		2.1	2.8	
REVERSE CURRENT	RED / GREEN		2.1	2.8	µA V R = 5 V
	YELLOW		2.1	2.8	
	YELLOW / GREEN		2.1	2.8	
PEAK WAVELENGTH	RED		635		nm
	GREEN		565		
	YELLOW		585		
	RED / GREEN		635/565		
VIEWING ANGLE	ALL		45		Degree
	RED / GREEN		60		
	YELLOW / GREEN		80		
	RED		20		
CAPACITANCE	GREEN		35		pF V F = 0, f = 1MHz
	YELLOW		15		
	RED / GREEN		20/35		
	YELLOW / GREEN		15/35		



THIS DRAWING AND THE CONTENTS HEREIN ARE CONFIDENTIAL AND THE SOLE PROPERTY OF DIALIGHT. REPRODUCTION OF THIS DRAWING OR CONSTRUCTION OF ANY PARTS WITHIN THIS DRAWING ARE FORBIDDEN WITHOUT THE WRITTEN CONSENT OF DIALIGHT.

SCALE 4:1
ALL DIM'S IN: INCHES
TOLERANCES: UNLESS OTHERWISE SPECIFIED
FRACTIONS: ±1/64
DECIMALS (.XX): ±.020
DECIMALS (.XXX): ±.015
DECIMALS (.XXXX): ±.010
ANGLES: ±3°

TITLE: 4X4 CBI ARRAY BLOCK
DRAWING NUMBER: C-16597
REV: B

DIALIGHT
1913 ATLANTIC AVE
MANASQUAN, N.J. 08736

FSCM 83330 SHEET OF FAMILY TABLE



68802322224"供应商