

查询"CT918CYF-220M"供应商

CT918CYF Series

From 1.0 μH to 47 μH



CHARACTERISTICS

Description: SMD (shielded) power inductor

Applications: Power supplies for VTR, OA equipment, LCD televisions, PC notebooks, portable communication equipment, DC/DC converters, etc.

Operating Temperature: -40°C to $+85^{\circ}\text{C}$

Inductance Tolerance: $\pm 20\%$

Testing: Tested on a HP4285A at 100 KHz, 0.1V

Packaging: Tape & Reel

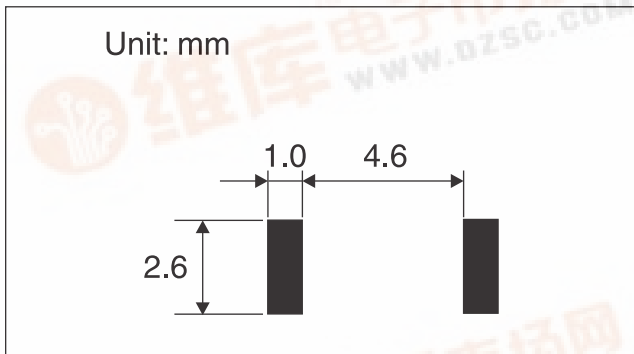
Marking: Parts are marked with inductance code

Miscellaneous: RoHS Compliant

Additional Information: Additional electrical & physical information available upon request

Samples available. See website for ordering information.

PAD LAYOUT



SPECIFICATIONS

Parts numbers indicate available inductance tolerance.

N = $\pm 30\%$, M = $\pm 20\%$

*Inductance drop = 30% typ. at IDC.

Part Number	Inductance ($\mu\text{H} \pm 20\%$)	L Test Freq. (kHz)	DCR ($\Omega \pm 20\%$)	IDC * Max. (A)
CT918CYF-1R0N	1.0	100	0.020	3.50
CT918CYF-1R5N	1.5	100	0.030	2.94
CT918CYF-2R0N	2.0	100	0.040	2.47
CT918CYF-3R3N	3.3	100	0.050	1.99
CT918CYF-4R7N	4.7	100	0.060	1.59
CT918CYF-6R2N	6.2	100	0.080	1.49
CT918CYF-8R2N	8.2	100	0.115	1.25
CT918CYF-100M	10	100	0.130	1.22
CT918CYF-120M	12	100	0.160	0.99
CT918CYF-150M	15	100	0.190	0.94
CT918CYF-180M	18	100	0.215	0.83
CT918CYF-220M	22	100	0.260	0.80
CT918CYF-270M	27	100	0.320	0.65
CT918CYF-330M	33	100	0.420	0.63
CT918CYF-390M	39	100	0.470	0.55
CT918CYF-470M	47	100	0.610	0.50

PHYSICAL DIMENSIONS

Size	A Max.	B Max.	C Max.	D	E	F
mm	6.3	6.2	2.0	2.0 \pm 0.2	0.6 \pm 0.2	4.8 \pm 0.2
inches	0.25	0.24	0.08	0.08 \pm 0.01	0.02 \pm 0.01	0.19 \pm 0.01

