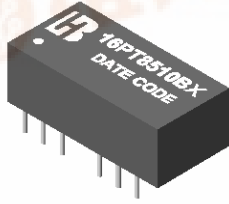


10/100 BASE-T TRANSFORMER

P/N:16PT8510BX DATA SHEET

Feature

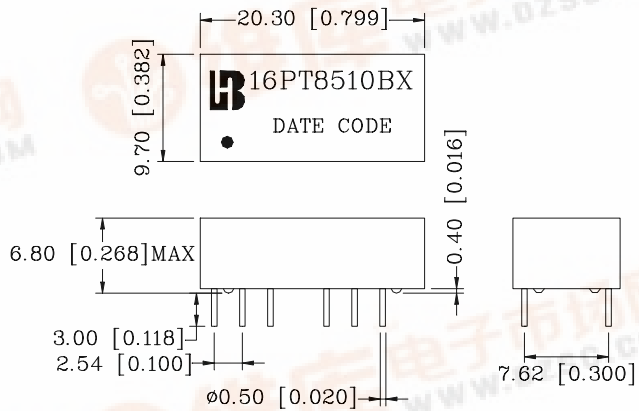
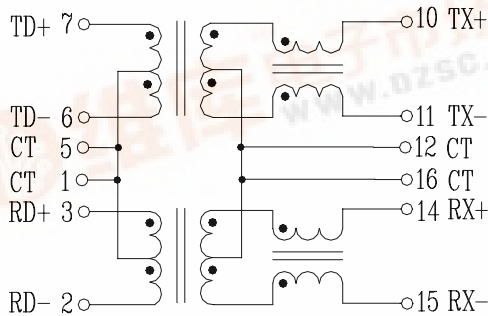


- Compliant with IEEE802.3u and ANSI X3.263 standards including 350uH OCL with 8mA Bias.
- Symmetrical TX and RX channels for Auto MDI/MDIX capability.
- Operating temperature range: 0°C to +70°C.
- Storage temperature range: -25°C to +105°C.

Electrical Specifications @ 25°C									
Part Number	Turns Ratio (±5%)		OCL (uH Min) @100KHz/0.1V with 8mA DC Bias	L.L (uH Max)	C <sub>WW</sub> (pF Max)	Rise Time (nS Typ)	HI-POT (Vrms)		
	7-6:10-11	3-2:14-15							
16PT8510BX	1CT:1CT	1CT:1CT	350	0.4	56	2.5	1500		
Continue									
Part Number	Insertion Loss (dB Max)	Return Loss (dB Min)					Cross talk (dB Min)	DCMR (dB Min)	
		0.3-100MHz	30MHz	40MHz	50MHz	60MHz			
16PT8510BX	-1.15	-16	-14	-13.5	-13	-12	-35	-30	

Schematic

Mechanical



Units: mm[Inches] Tolerances: xx.x0±0.25[0.010]  
0.xx±0.05[0.002]

