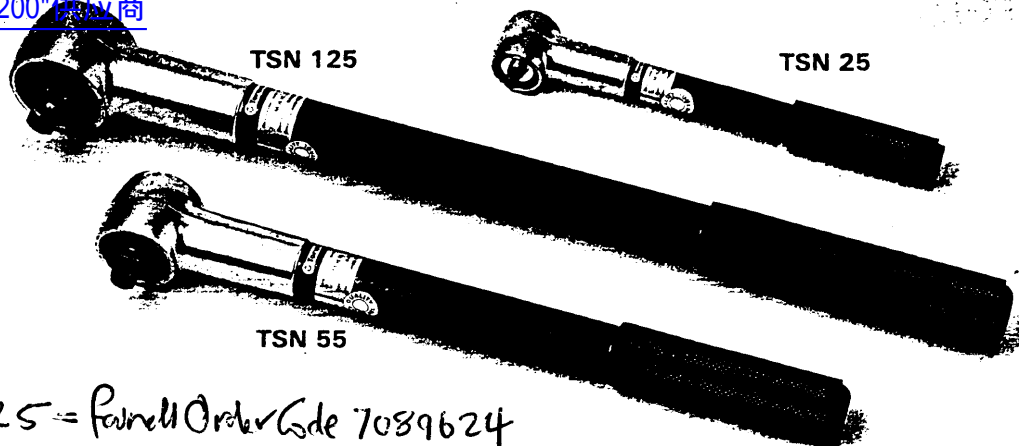


Torqueleader 'Torquesafe' Slipper Wrenches

查询"11200"供应商

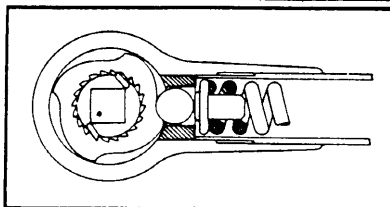


*TSN125 = Partell Order Code 7089624

★ Streamlined production torque wrenches designed for modern needs.

- 3 models covering ranges of 3-125 N-m and 2-90 lbf-ft to suit the majority of volume production torque requirements.
- Accuracy $\pm 5\%$ repeatable. Guarantees equal tightness every time.
- Lightweight – less fatigue for the operator encourages use.
- Wrenches 'slip' when predetermined torque setting is reached – completely eliminates overtightening.
- Automatic resetting is signalled by an audible 'click' allowing fast continuation of work.
- 'Torque Safe' wrenches incorporate a fully supported ratchet with effectively 36 teeth on TSN 25 and 48 on TSN 55 and TSN 125 – giving smooth, positive torque control, even in confined spaces.
- Strong corrosion-resistant stainless steel head, plastic coated handle and non-slip knurled grip.

MODEL	□	→		□	↔		⚖	
		N-m	lbf-ft		(Inch)	mm	in	kg
TSN 25	011000	3-25	2-18	¼	216	8.5	0.34	0.75
TSN 55	011020	15-55	10-40	⅜	324	12.75	0.80	1.75
TSN 125	011040	40-125	30-90	½	460	18.13	1.36	3.0

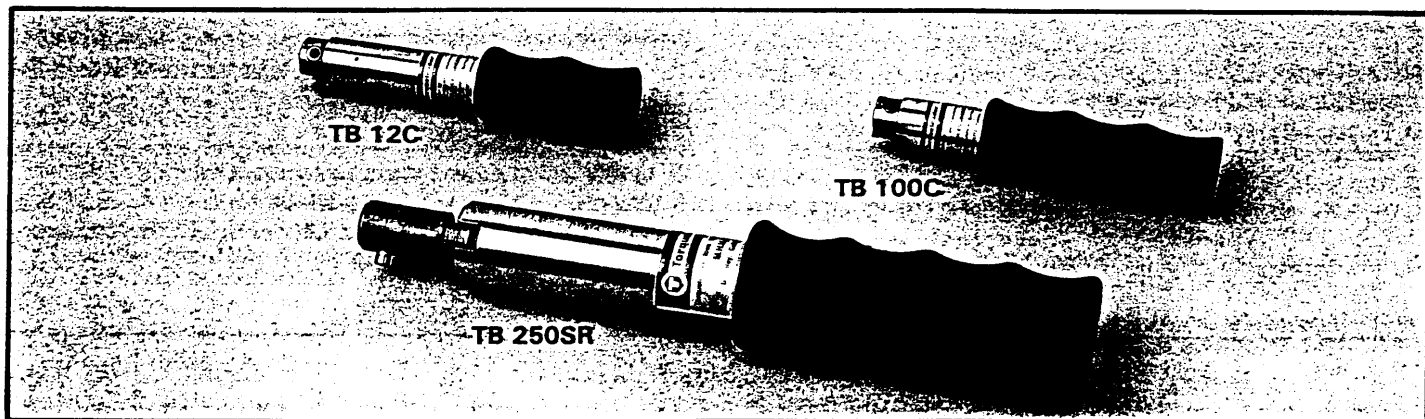


Working principle of Torqueleader Torque Safe



Setting a TSN125 on a Torqueleader Static Torque Meter

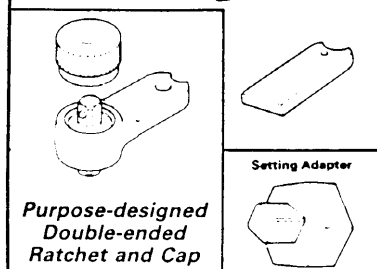
Torqueleader 'Breaking' Torque Handles



- Production, lever type wrenches for applying low torque values.
- Ideal for use in restricted spaces – suitable for most light electro/mechanical/electronic applications.
- Compact, well balanced and strong for unskilled users.
- Breaking Torque Handles 'break' at predetermined torque value to give movement in either direction – 90° with TB 12 & TB 100 and 20° with TB 250 SR – then reset on returning to in-line position.
- Extensive range of interchangeable end fittings available.
- Special end fittings can be made to order, to comply with individual requirements.

MODEL	□	→			↔		⚖	
		lbf-in	kgf-cm	N-m	mm	in	gm	oz
TB12C	011100	1.25-12	1.4-14	0.14-1.36	105	4 1/8	100	3 1/2
TB100C	011200	10-100	11.5-115	1-11	105	4 1/8	120	4 1/4
TB250SR	011300	80-250	90-300	9-30	185	7 1/4	350	12 1/4

Interchangeable end fittings for use with 'Breaking' Torque Handles



Purpose-designed Double-ended Ratchet and Cap

Setting TB 100 on a Torqueleader Spring Type Rig

