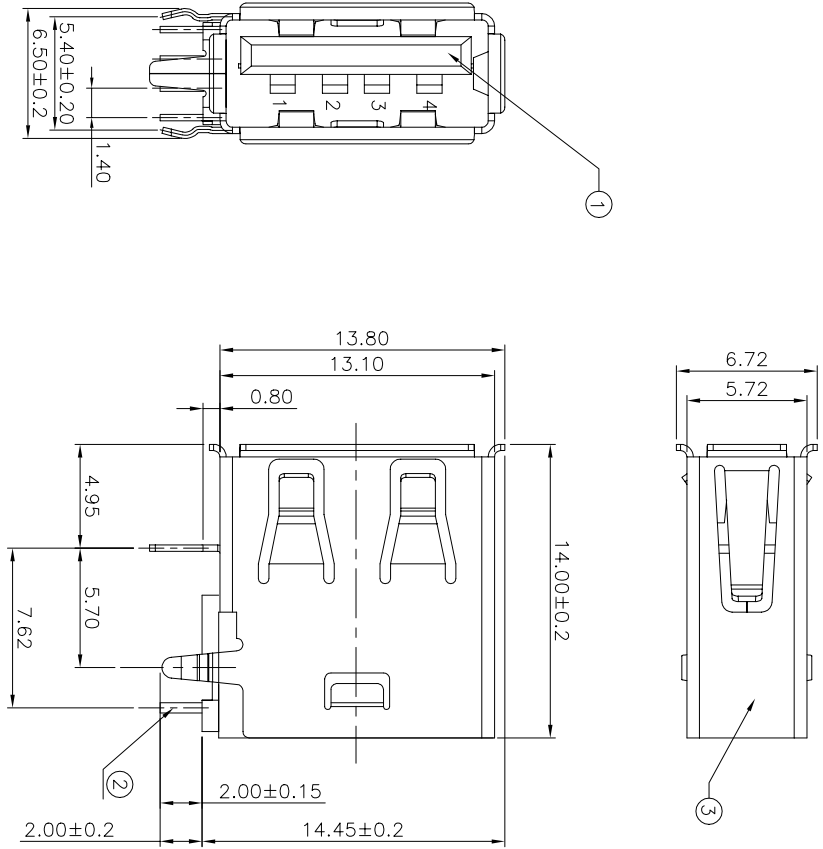
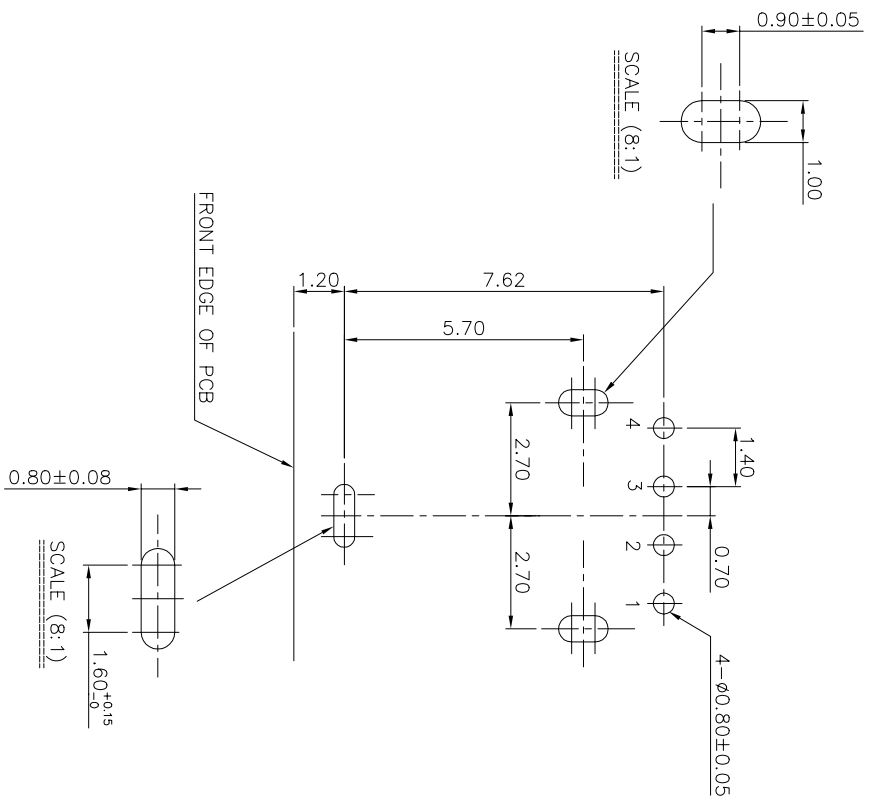


[查询"020151MR004S507ZU"供应商](#)



Recommended P.C.B Layout(Component Side)



3	SHELL	PHON.BRONZE	—	Nickel Plated
2	TERMINAL	PHON.BRONZE	—	Selective Gold/Tin
1	HOUSING	LCP	BLACK	UL 94V-0
NO.	DESCRIPTION	MATERIAL	COLOR	REMARK

SUWIN
CONNECTOR

CUSTOMER TITLE: VERTICAL USB DIP TYPE

PART NO. 020151MR004S507ZU

PART NO. (OLD)

DRAWING NO. A 020151MR004S507ZU

SCALE 4:1 UNIT mm A4

ECN (DCN) NO.	REV	DATE	DESCRIPTION	CHANGE APPRO.	GENERAL TOLERANCE UNLESS OTHERWISE NOTED	Angle	±2°	DRAW
	P0	02/12/25	NEW		30 ~ 30	±0.50	DESIGN	
					10 ~ 30	±0.30	CHECK	
					~ 10	±0.15	APPRO.	