

3-INPUT VIDEO SUPER IMPOSER WITH 75Ω DRIVER

查询"NJM2263M"供应商

■ GENERAL DESCRIPTION

NJM2263 is 3-input, 1-output video switch with 75Ω driver circuit.

Two input are provided with sink chip clamp function, which adjust the DC level of video signal.

The other input of transistor open base can make control of luminance signal.

This video switch can be connected to TV monitor directly, as it has 75Ω driver circuit internally. NJM2263 is a high performance video switch with 10MHz frequency range and 70dB (at 4.43MHz) crosstalk, which is operated with 5V supply voltage.

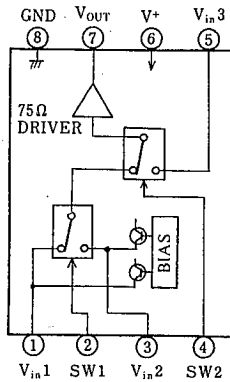
■ FEATURES

- Wide Operating Voltage (4.75~13V)
- 3 Input, 1 - Output
- Internal 75Ω Driver Circuit
- Internal Sink Chip Clamp Function (V_{IN1} , V_{IN2})
- Internal luminance Signal Control Function (V_{IN3})
- Crosstalk 70dB(at 4.43MHz)
- Wide Operating Frequency Range 10MHz(2V_{P-P} input)
- Package Outline DIP8, DMP8, SIP8
- Bipolar Technology

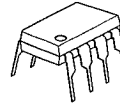
■ APPLICATIONS

- VCR, Video Camera, AV-TV, Video Disc Player.

■ BLOCK DIAGRAM



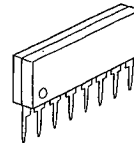
■ PACKAGE OUTLINE



NJM2263D



NJM 2263 M



NJM 2263 L

查询"NJM2263M"供应商

■ ABSOLUTE MAXIMUM RATINGS

(Ta=25°C)

PARAMETER	SYMBOL	RATINGS	UNIT
Supply Voltage	V*	15	V
Power Dissipation	Pd	(DIP8) 500	mW
		(DMP8) 300	mW
		(SIP8) 800	mW
Operating Temperature Range	Topr	-20~+75	°C
Storage Temperature Range	Tstg	-40~+125	°C

■ ELECTRICAL CHARACTERISTICS

(V*=5V, Ta=25±2°C)

PARAMETERS	SYMBOLS	TEST CONDITIONS	MIN.	TYP.	MAX.	UNIT.
Recommended Supply Voltage	V+		4.75	—	13.0	V
Operating Current	Icc	S1=S2=S3=S4=S5=2	—	16.5	23.0	mA
Voltage Gain	Gv	Vin=2.0Vp-p, 100kHz Vo/Vi	-0.8	-0.3	+0.2	dB
Frequency Characteristics	Gr	Vin=2.0Vp-p, Vo(10MHz)/Vo(100kHz)	-1.0	0	+1.0	dB
Differential Gain	DG	Vin=2.0Vp-p, Staircase, RL=150Ω	—	0.3	—	%
Differential Phase	DP	Vin=2.0Vp-p, Staircase, RL=150Ω	—	0.3	—	deg
Output Offset Voltage	Vos	S1=S2=S3=2, S4=2 → 1	-30	0	+30	mV
Crosstalk	CT	Vi=2.0Vp-p, 4.43MHz	—	-70	—	dB
		Vo/Vi	—	—	—	dB
		Vin3 Biased (note 2)	2.4	—	—	dB
Switch change Voltage	VCH	Switch High Level Voltage	—	—	—	V
	VCL	Switch Low Level Voltage	—	—	0.8	V

Note 1) Unless otherwise specified, tested with the following conditions.

a) S1=1 S2=S3=S4=S5=2 b) S2=S4=1, S1=S3=S5=2 c) S3=S5=1, S1=S2=1, S4=1 or 2

Note 2) Tested with the following conditions.

a) S1=S4=1, S2=S3=2, S5=1 and 2 b) S2=1, S1=S3=S4=2, S5=1 and 2 c) S3=1, S1=S2=S5=2, S4=1 and 2

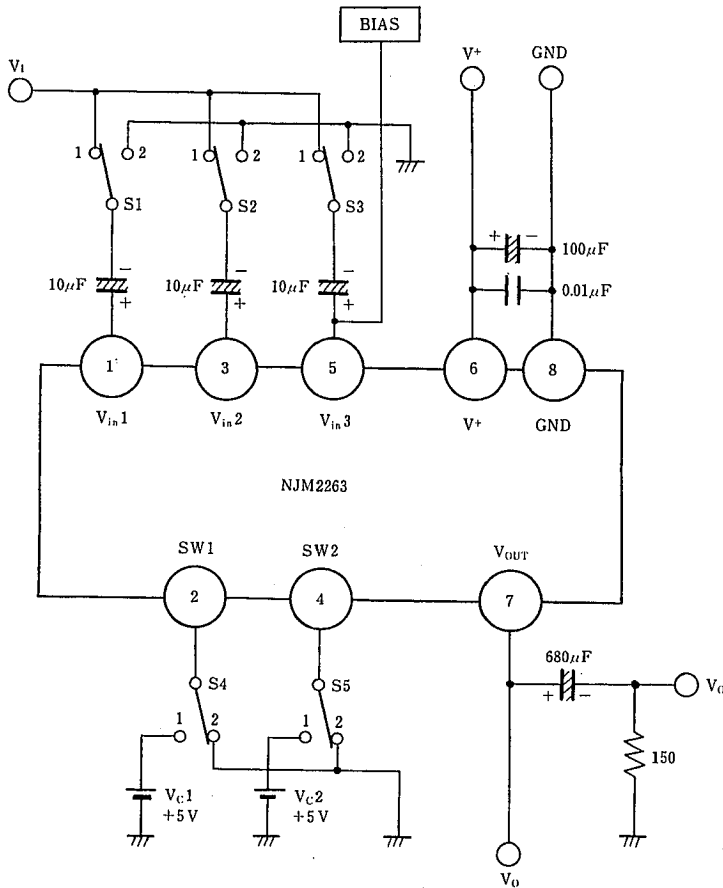
Note 3) The Clamp Input Voltage of Vin 1 and Vin 2 is approximately, (2×V*)/5. (In case of V*=5V, about 20V)

■ SWITCH CONTROL SIGNAL-OUTPUT SIGNAL

SW 1	SW 2	OUTPUT SIGNAL
L	L	Vin1
H	L	Vin2
L/H	H	Vin3

[查询"NJM2263M"供应商](#)

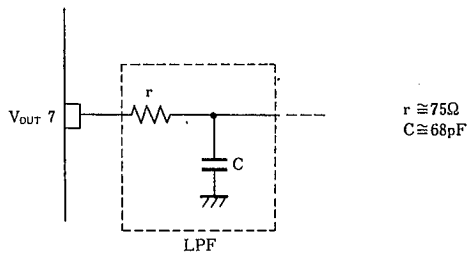
■ TEST CIRCUIT



■ APPLICATION

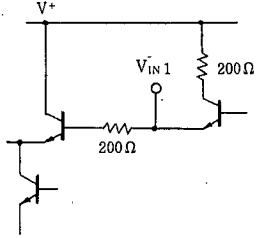
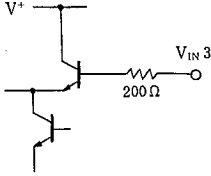
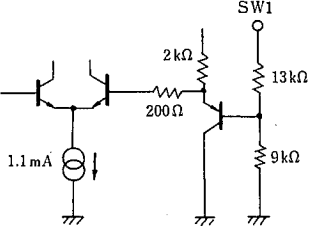
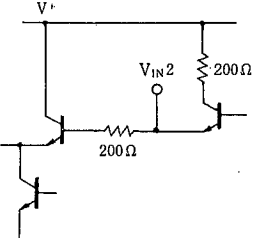
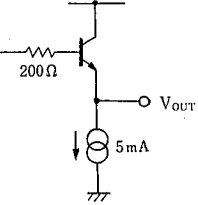
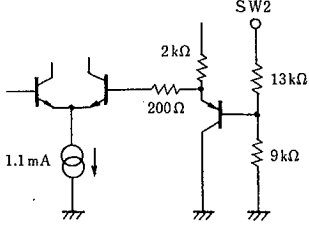
Oscillation Prevention on light loading conditions
Recommended under circuit

This IC requires 1MΩ resistance between INPUT and GND pin for clamp type input since the minute current causes an unstable pin voltage.



[查询"NJM2263M"供应商](#)

■ EQUIVALENT CIRCUIT

PIN NO.	PIN FUNCTION	INSIDE EQUIVALENT CIRCUIT	PIN NO.	PIN FUNCTION	INSIDE EQUIVALENT CIRCUIT
1	V _{IN 1}		5	V _{IN 3}	
2	SW 1		6	V ⁺	_____
3	V _{IN 2}		7	V _{OUT}	
4	SW 2		8	GND	_____

5

NJM2263

[查询"NJM2263M"供应商](#)

MEMO

[CAUTION]

The specifications on this databook are only given for information , without any guarantee as regards either mistakes or omissions. The application circuits in this databook are described only to show representative usages of the product and not intended for the guarantee or permission of any right including the industrial rights.