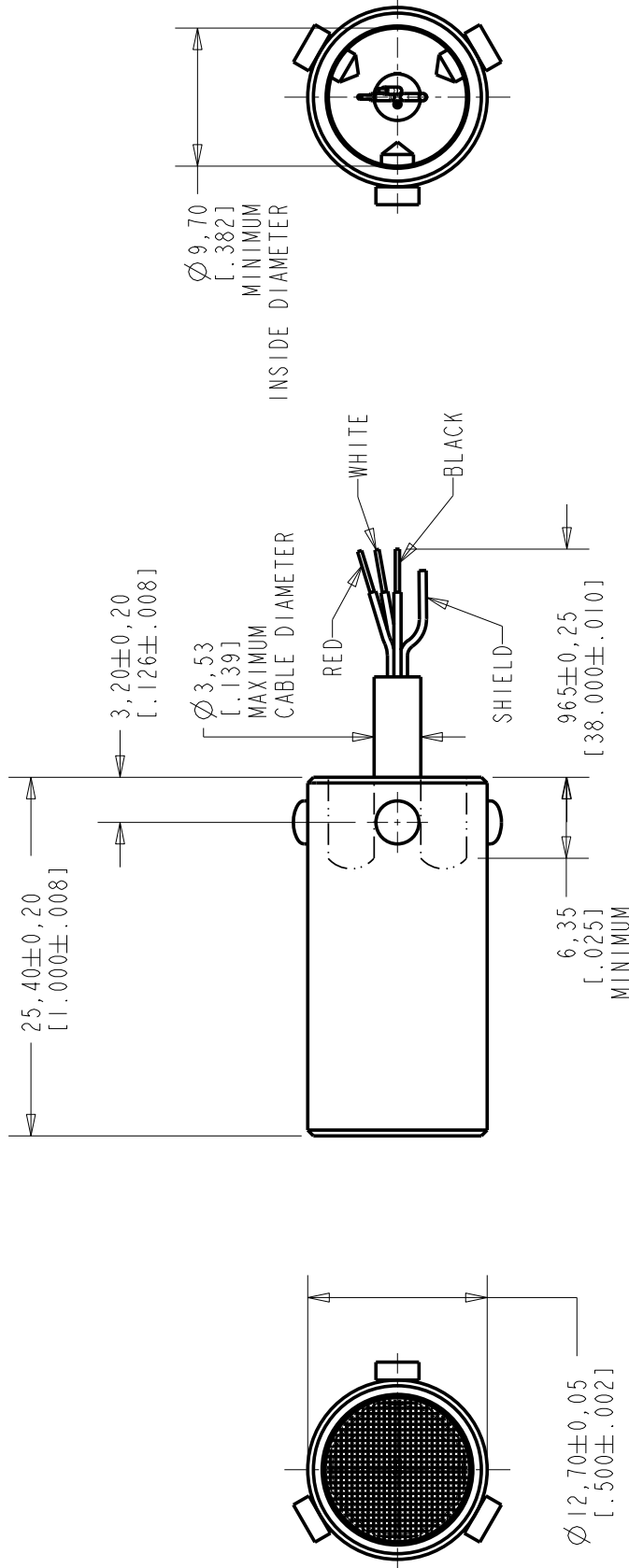


查询“BL-21994-000”供应商

BL-21994-000

SHT I. I



NOMINAL WEIGHT
27.0 GRAMS

DIMENSIONS IN MILLIMETERS [INCHES]

KNOWLES ELECTRONICS
ITASCA, ILLINOIS U.S.A.

Revision	C.O. #	Implementation Date	RELEASE LEVEL	REVISION
C	M10103141	11-09-09	Active	C
B	M10103202	10-16-09		
A	M10101208	10-30-06		
SCALE: 1:1				
DO NOT SCALE DRAWING				
TITLE: MICROPHONE			DR. BY DATE MMM 10-30-06	
OUTLINE DRAWING			CK. BY DATE GJP 11-6-06	
			APP. BY DATE GJP 11-6-06	
			Rev: B	

BL-21994-000

SHT I. I

OUTLINE DRAWING

MICROPHONE

DO NOT SCALE DRAWING

SCALE: 1:1

KNOWLES ELECTRONICS

ITASCA, ILLINOIS U.S.A.

27.0 GRAMS

SHT I. I

Rev: B

查询"BL-2194-000"供应商

160 μA MAX.	34 dB MAX.	---	4000	---	---	3.0 Ω
BATTERY CURRENT DRAIN	"A" WEIGHTED NOISE (1 KHZ EQUIV. SPL) IN 3 WIRE MODEL	MIN.	NOM.	MAX.	MIN.	MAX.
OUTPUT IMPEDANCE OHMS		OUTPUT NOISE TO SHIELD				

BASE CONNECTED TO NEGATIVE TERMINAL.

FREQUENCY	MIN.	NOM.	MAX.	RANGE OF DEVIATION FROM 1 KHZ	DEVICE CONFORMITY
10000	---	---	---	+3.5	---
8000	---	---	---	+4.5	---
6300	---	---	---	+5.0	---
5000	---	---	---	+5.0	---
4000	---	---	---	+5.0	---
3150	---	---	---	+4.5	---
2500	---	---	---	+3.5	---
2000	---	---	---	+2.5	---
1600	---	---	---	+2.0	---
1250	---	---	---	+1.5	---
1000	-72.0	-69.0	-66.0	0.0	---
800	---	---	---	+1.0	---
500	---	---	---	+1.0	---
400	---	---	---	+1.0	---
315	---	---	---	+1.5	---
250	---	---	---	+2.0	---
200	---	---	---	+3.0	---

