

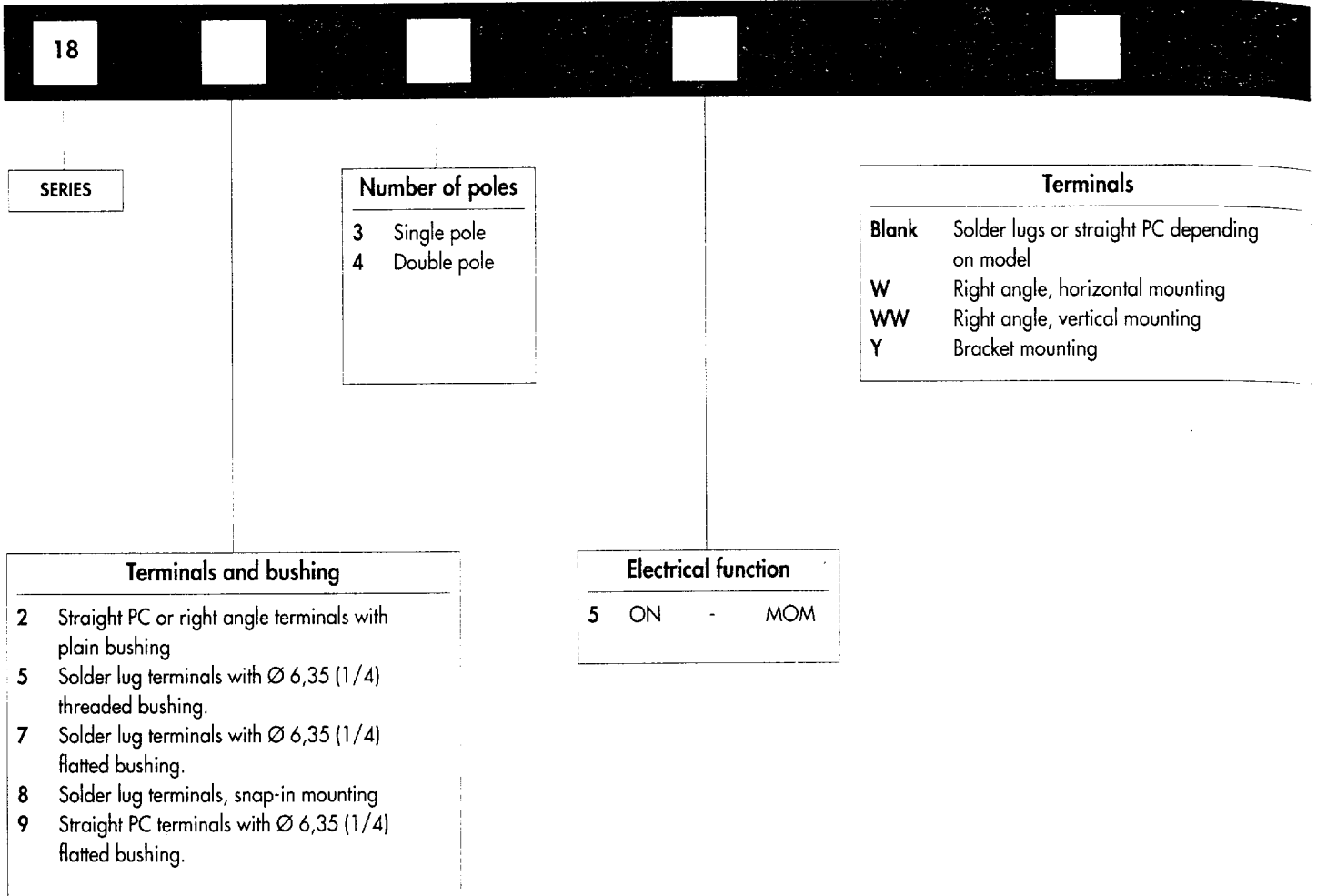
607-587

18000 SERIES

查询"18545CD(INDIVIDUAL BASIC)"供应商
SNAP-ACTION MOMENTARY PUSHBUTTON SWITCHES



Overview



ABOUT THIS SERIES

On the following pages, you will find successively :

- specifications
- model structure of switches
- options in the same order as in above chart

Dimensions : first dimensions are in mm while inches are shown as bracketed numbers.



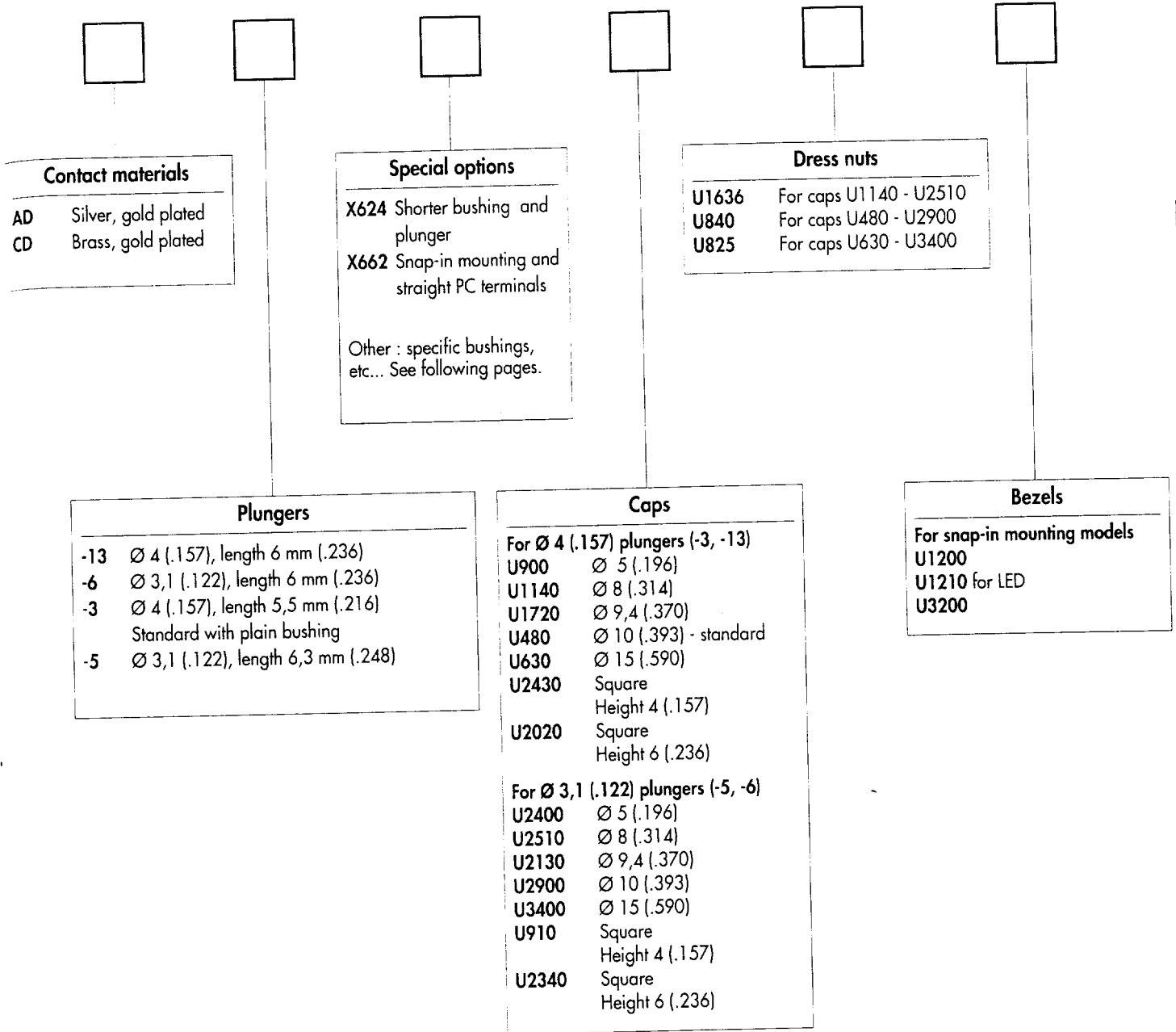
NOTICE : please note that not all combinations of above numbers are available. Refer to the following pages for further information.

18000 SERIES

查询"18545CD SNAP-ACTION MOMENTARY PUSHBUTTON SWITCHES

OPTIONS

Overview



D



Sealing boots are available to protect the switches against dust and water. They are presented in section G.



Mounting accessories : standard hardware supplied with all models with Ø 6,35 (1/4) threaded bushing :
2 hex nuts 8 mm (.314) across flats, 1 locking ring and 1 lockwasher.
Standard and special hardware available are presented in section G.



Packaging unit : 25 pieces for W, WW double pole and 18800 models
50 pieces for other models.

18000 SERIES

查询"18545CD(INDIVIDUAL) SNAP-ACTION MOMENTARY PUSHBUTTON SWITCHES

Specifications

ELECTRICAL SPECIFICATIONS

- Max. current/voltage rating with resistive load :
 - gold plated brass contacts : 100mA - 30VDC
 - gold plated silver contacts : 1A 120VAC, 1A 30VDC
- Initial contact resistance : 50 mΩ max.
- Insulation resistance : 1.000 MΩ min.
- Dielectric strength : 1.000 Vrms 50 Hz min.
- Electrical life : 60.000 cycles at full load

D

MATERIALS

- Case : diallyphthalate (DAP)
- Actuator : polyamide, glass filled
- Bushing : brass, nickel plated
- Housing : stainless steel
- Bracket : tin plated steel
- Contacts
 - AD : silver, gold plated
 - CD : brass, gold plated
- Terminals seal : epoxy

GENERAL SPECIFICATIONS

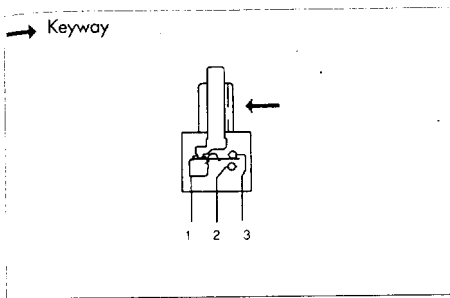
- Pre-travel : 0,25 mm (.009) - Over travel : 0,25 mm (.009)
- Total travel : 0,5 mm (.019)
- Torque : 1,25 Nm (.922 Ft.lb) max. applied to nut
- Operating temperature : -30°C to +65°C

18000 SERIES

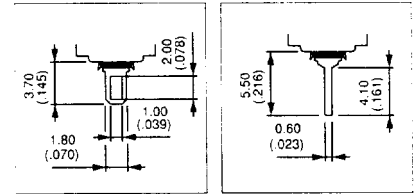
查询"18545CD(I) SNAPSHOT MOMENTARY PUSHBUTTON SWITCHES

Threaded bushing $\varnothing 6,35$ (1/4) : 18500 - 18700 - 18200

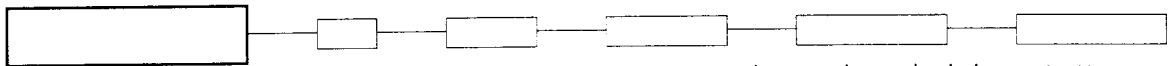
MODEL
STRUCTURE



- Solder lug or straight PC terminals
- Epoxy sealed terminals standard



MODEL
STRUCTURE



Shown with standard plunger (-13)

Solder lug terminals : 18500

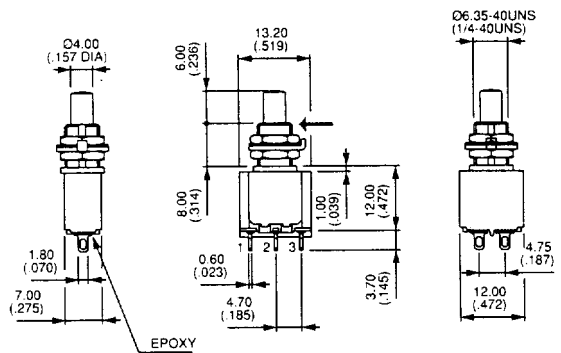
→ Keyway



Single pole
18535



Double pole
18545



Flatted bushing - solder lug terminals : 18700

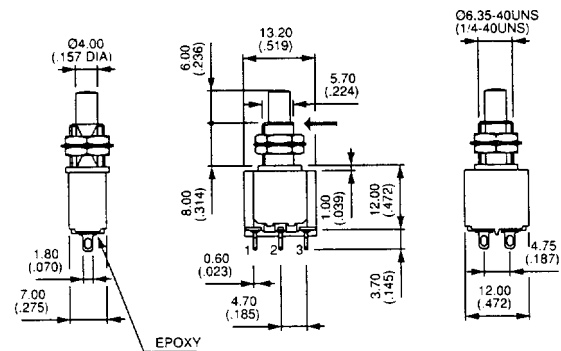
→ Flat



Single pole
18735



Double pole
18745



Straight PC terminals : 18200

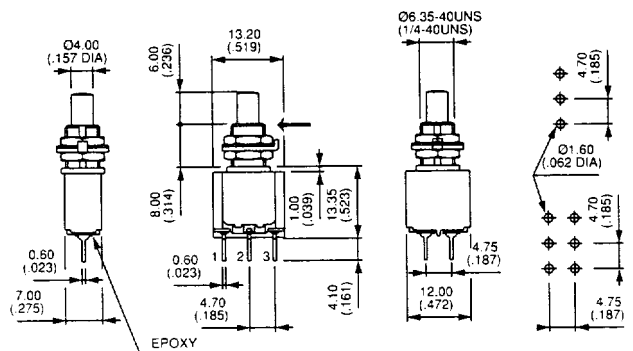
→ Keyway



Single pole
18235



Double pole
18245



18000 SERIES

查询"18545CD(INDIVIDUAL EASON)供应商"

SNAP-ACTION MOMENTARY PUSHBUTTON SWITCHES



Threaded bushing $\varnothing 6,35$ (1/4) : 18900 - Snap-in mounting : 18800

Flatted bushing - straight PC terminals : 18900

→ Flat



Single pole
18935

Double pole
18945



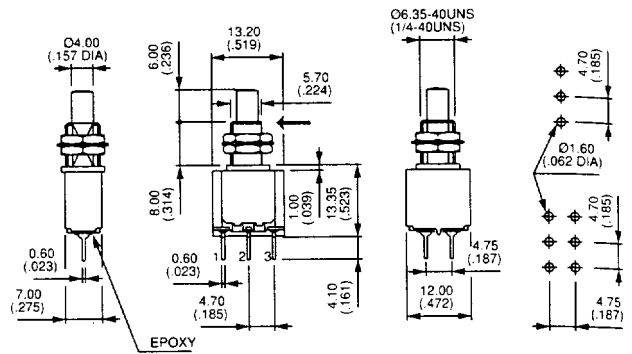
ON



MOM

ON

MOM



Snap-in mounting - solder lug terminals : 18800

Shown with cap U910



Single pole
18835

Double pole
18845



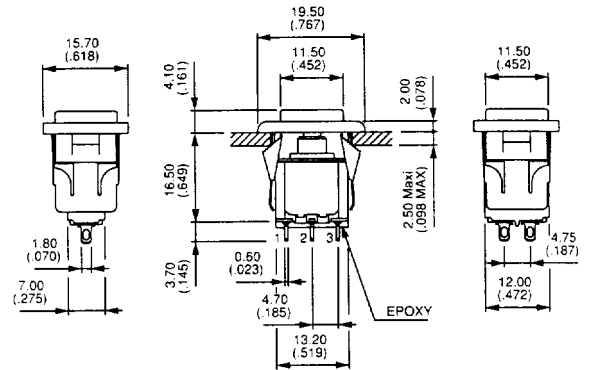
ON



MOM

ON

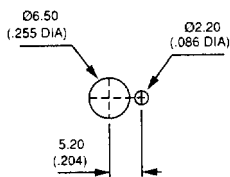
MOM



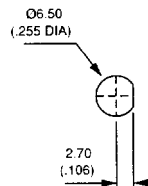
Available with straight PC terminals : see X662 under "Special options".

PANEL CUT-OUT

18500 - 18200

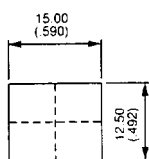


18700 - 18900

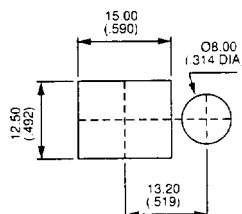


PANEL CUT-OUT

18800



With bezels U1200 or U3200



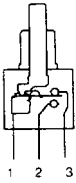
With bezel U1210 for LED

18000 SERIES

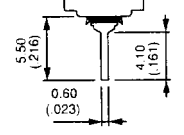
查询"18545CD(SNAP-ACTION MOMENTARY PUSHBUTTON SWITCHES

Plain bushing : 18200Y - 18200W - 18200WW

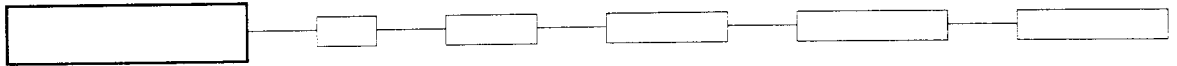
MODEL
STRUCTURE



- Straight PC or right angle terminals
- Epoxy sealed terminals standard



MODEL
STRUCTURE

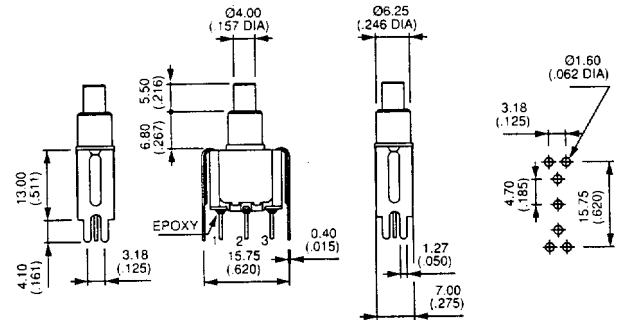


Shown with standard plunger (-3)

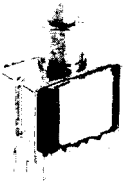
Straight PC terminals - bracket mounting - single pole 18230Y



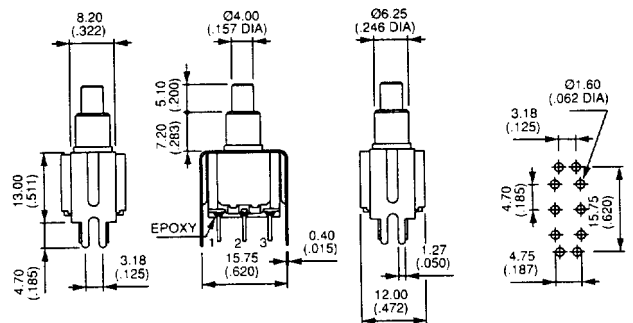
18235Y



Straight PC terminals - bracket mounting - double pole 18240Y



18245Y



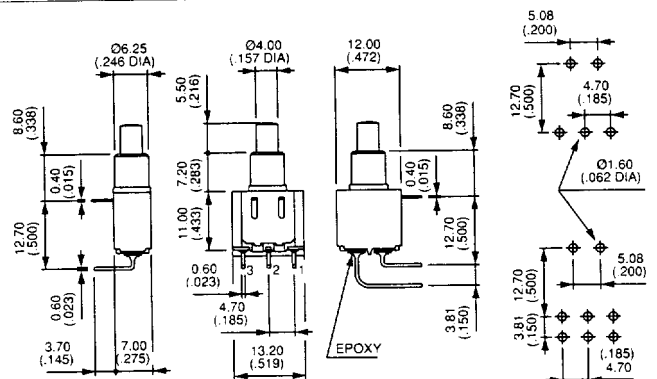
Right angle terminals - horizontal : 18200W



Single pole
18235W



Double pole
18245W



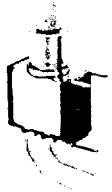
18000 SERIES

SNAP-ACTION MOMENTARY PUSHBUTTON SWITCHES

OPTIONS



Right angle terminals - vertical : 18200WW



Single pole
18235WW

Double pole
18245WW



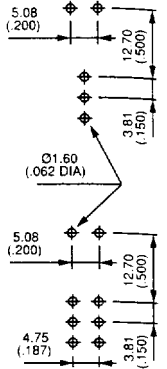
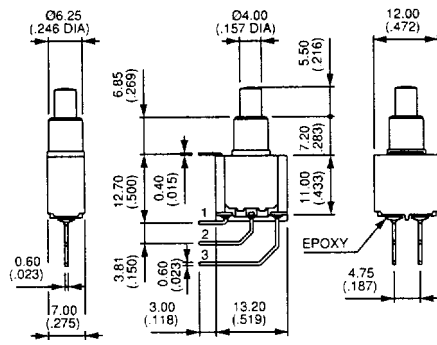
ON



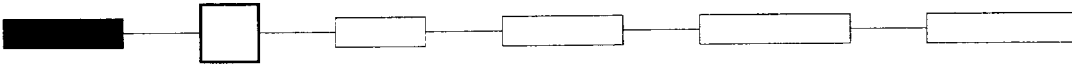
MOM

ON

MOM

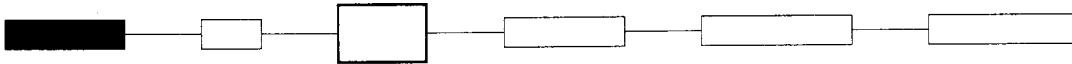


CONTACT MATERIALS

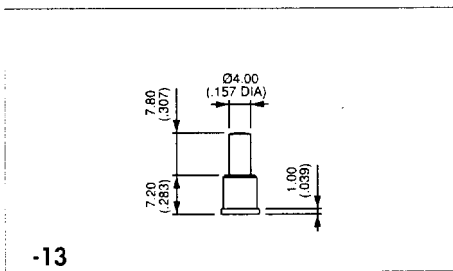


AD Silver, gold plated
CD Brass, gold plated

PLUNGERS

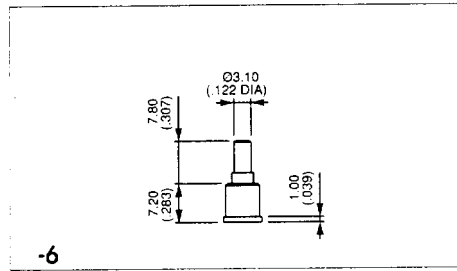


Dash compulsory before plunger code.



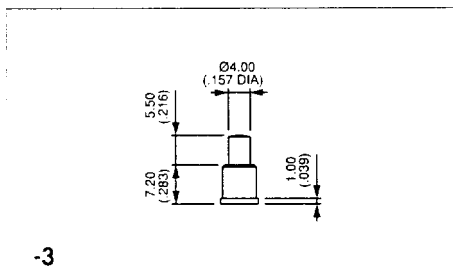
-13

Ø 4 (.157)



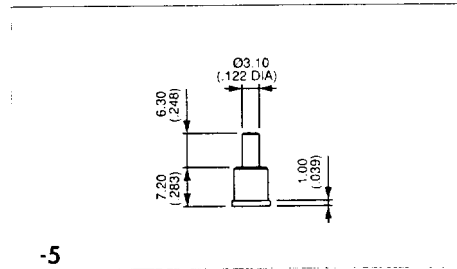
-6

Ø 3,1 (.122)



-3

Ø 4 (.157) - standard with plain bushing



-5

Ø 3,1 (.122)



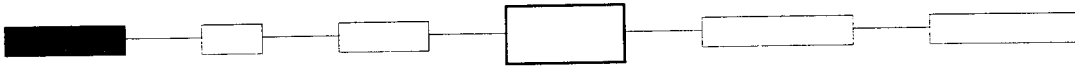
PLUNGER LENGTH
On threaded bushing models,
plunger length will be reduced by
1,80 (.070).

18000 SERIES

查询"18545CD(INDIVIDUAL BAG)"供应信息
SNAP-ACTION MOMENTARY PUSHBUTTON SWITCHES

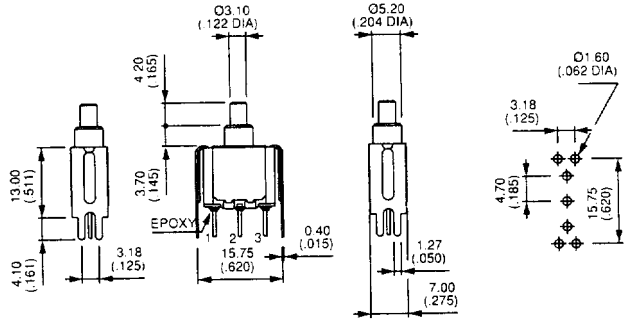
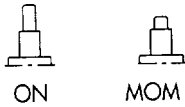


SPECIAL OPTIONS

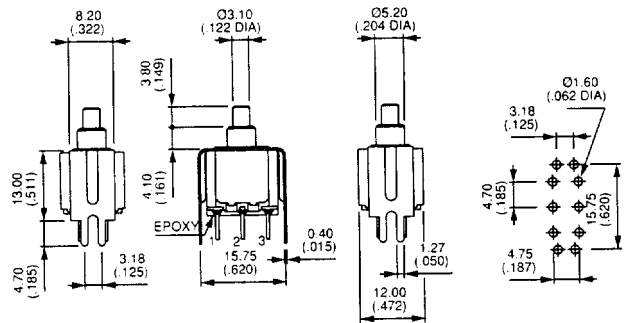
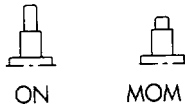


X624 Straight PC terminals - bracket mounting - with shorter bushing and plunger

Single pole
18235Y -2X624

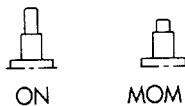


Double pole
18245Y -2X624

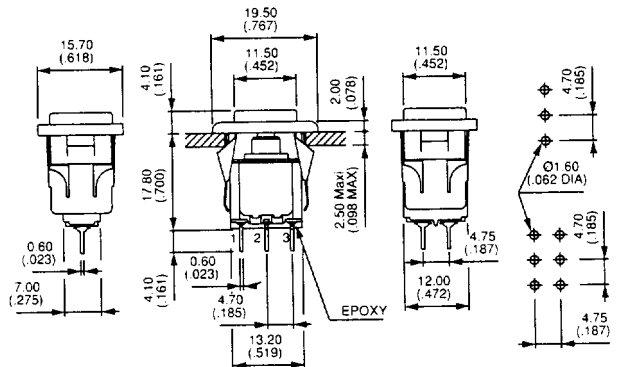


X662 Snap-in mounting - straight PC terminals

Single pole
18835 X662



Double pole
18845 X662



18000 SERIES

查询"18545CD(INDIVIDUAL BAG)"供应商
SNAP-ACTION MOMENTARY PUSHBUTTON SWITCHES

OPTIONS



SPECIAL OPTIONS (continued)



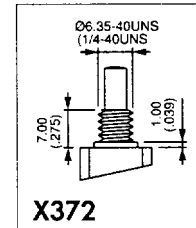
X371 Plain bushing \varnothing 6,25 mm (.246) (instead of standard threaded bushing).

X372 Shorter threaded bushing \varnothing 6,35 (1/4). Height 7 mm (.274).

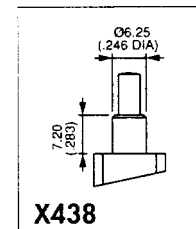
X386 Threaded bushing \varnothing 6,35 mm (1/4) to replace plain bushing on models W - WW and Y.

X438 Plain bushing \varnothing 6,25 mm (.246). Height 7,2 mm (.283) - without shoulder.

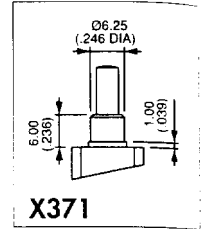
X765 Tin plated terminals



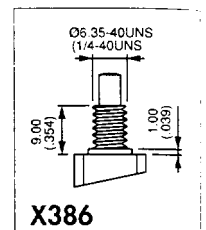
X372



X438



X371



X386

18000 SERIES

查询"18545CD(INFORMATION) 18000系列瞬动按钮开关

SNAP ACTION MOMENTARY PUSHBUTTON SWITCHES

OPTIONS

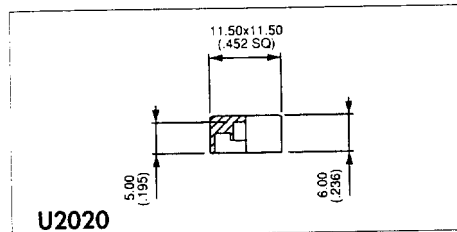
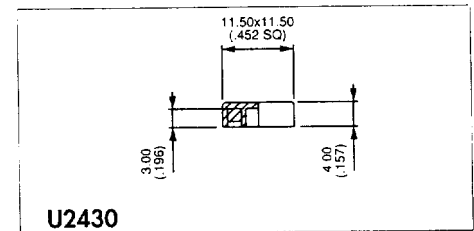
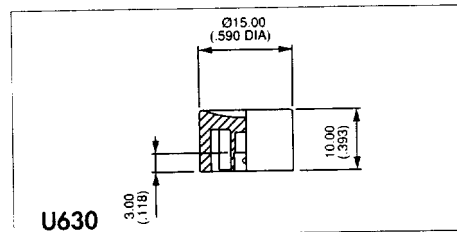
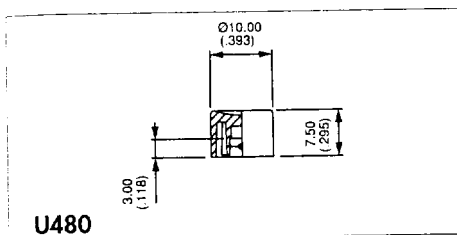
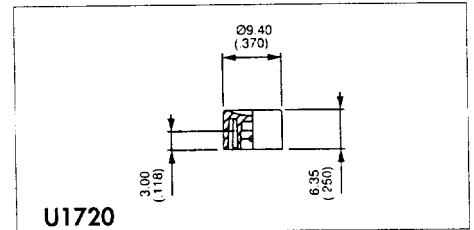
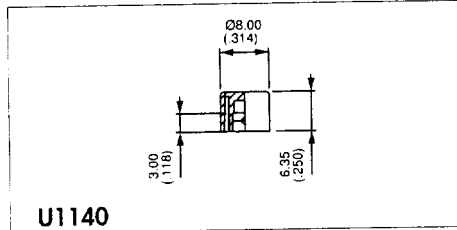
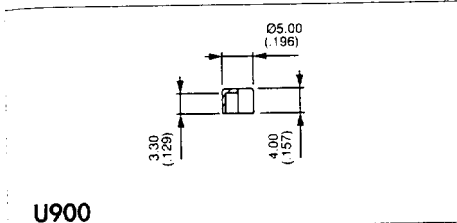


146-245/246/247

CAPS

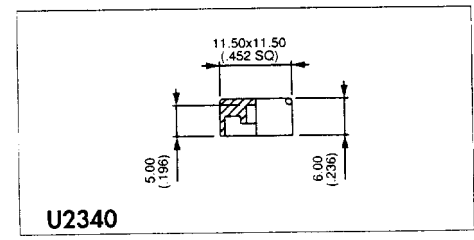
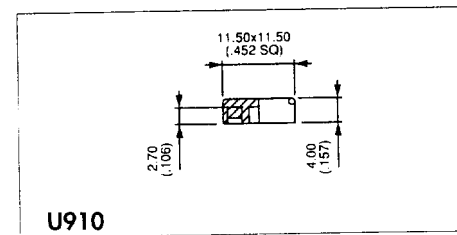
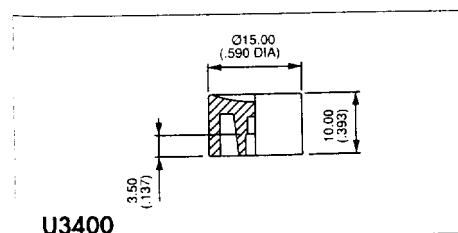
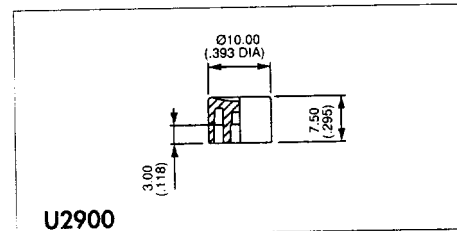
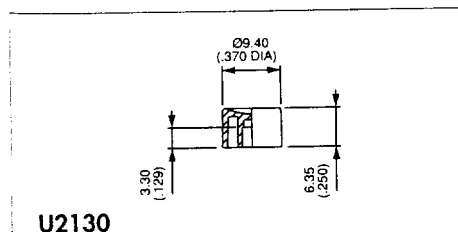
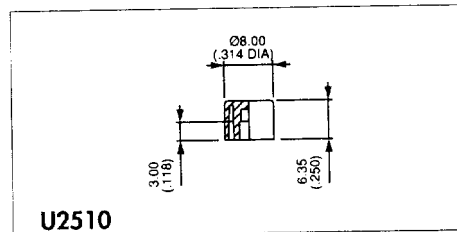
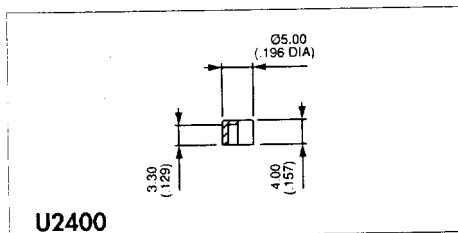


Caps for $\varnothing 4$ (.157) plungers (-13, -3)



Cap colours	
Replace last "0" by number	
1	blue
2	black
3	green
4	grey
5	yellow
6	red
7	ivory
7/1	white
9	orange

Caps for $\varnothing 3,1$ (.122) plungers (-5, -6)



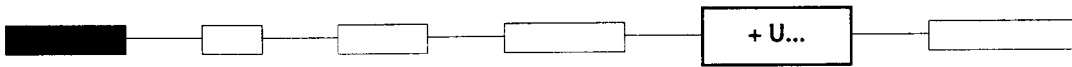
18000 SERIES

查询"18545CD(INDIVIDUAL BAG)"供应商

SNAP-ACTION MOMENTARY PUSHBUTTON SWITCHES

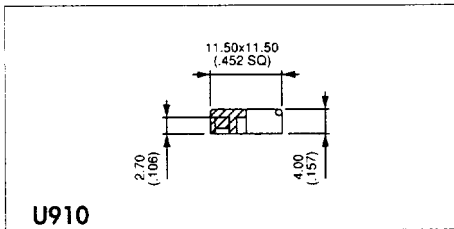
OPTIONS

CAPS (continued)



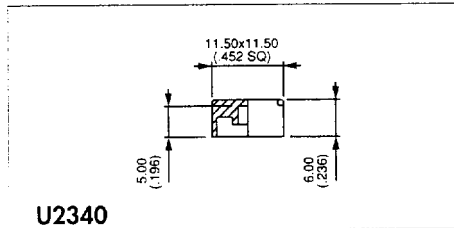
Caps for 18800 and 18800X662 models

D



U910

Square



U2340

Square

Cap colours

Replace "0" by number

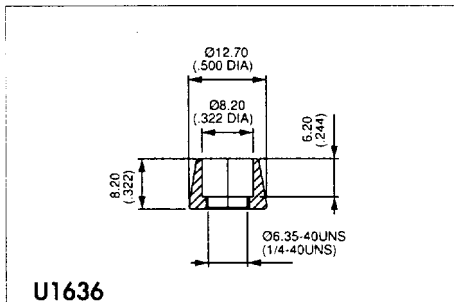
- 1 blue
- 2 black
- 3 green
- 4 grey
- 5 yellow
- 6 red
- 7 ivory
- 7/1 white
- 9 orange

DRESS NUTS



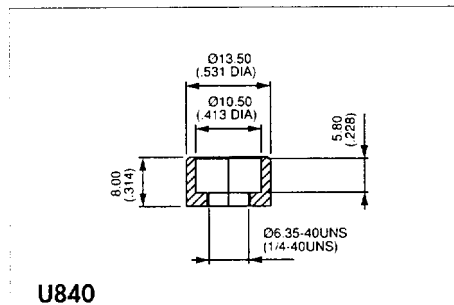
For models with threaded bushing (18500 - 18700 - 18200 - 18900)

Chrome plated



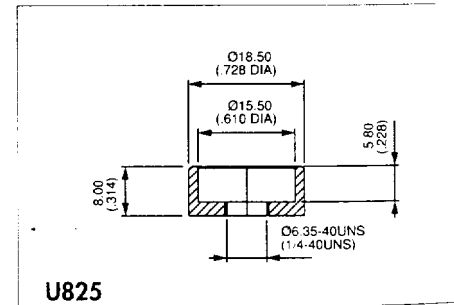
U1636

For caps U1140 and U2510



U840

For cap U480 and U2900



U825

For caps U630 and U3400

18000 SERIES

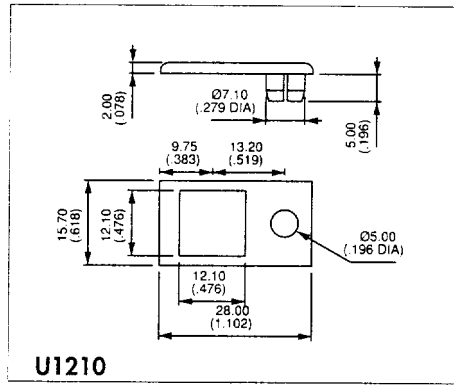
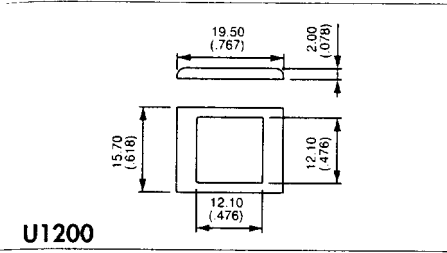
查询"18545CD(INDIVIDUAL BAG)供应商" SNAP ACTION MOMENTARY PUSHBUTTON SWITCHES

OPTIONS

BEZELS



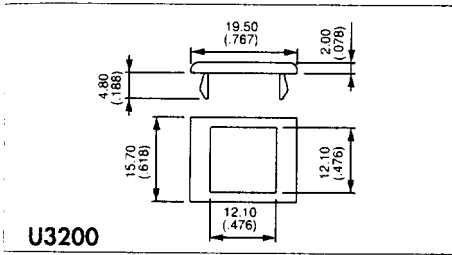
For snap-in models (18800 - 18800X662)



Bezel colours

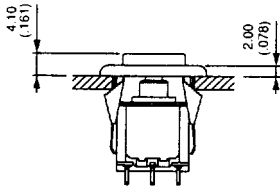
Replace last "0" by number

- 1 blue
- 2 black
- 3 green
- 4 grey
- 5 yellow
- 6 red
- 7 ivory
- 7/1 white
- 9 orange

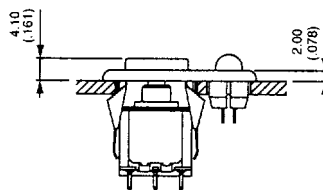


STANDARD PANEL MOUNTING

Panel thickness with bezel : 1 mm (.039) to 2,5 mm (.098)



18800 + U910 + U1200



18800 + U910 + U1210