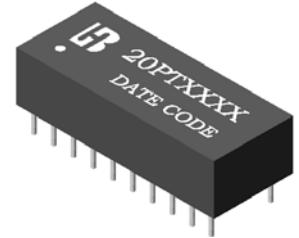


## 10/100 BASE-TX 20-PIN PORT TRANSFORMERS

462 Boston St - Topsfield, MA 01983 - Phone: 978-887-8050 - Fax: 978-887-5434

- IEEE 802.3 Ethernet compatible, 100 BASE-TX
- 20 PIN DIP package compatible with popular IC Chips
- Design for multiport repeater and Ethernet switching HUB Application
- Operating temperature range : 0°C to +70°C.
- Storage temperature range: -40°C to +100°C.



### Electrical Specifications @ 25°C

Isolation Voltage : 1500 Vrms

OCL(100KHz, 0.1Vrms with 8mA/DC Bias) : 350uH Min.

Leakage Inductance : 0.5uH Max.

Cw/w : 28pF Max.

DCR : 0.9Ω Max.

Rise Time : 2.5nS Typ.

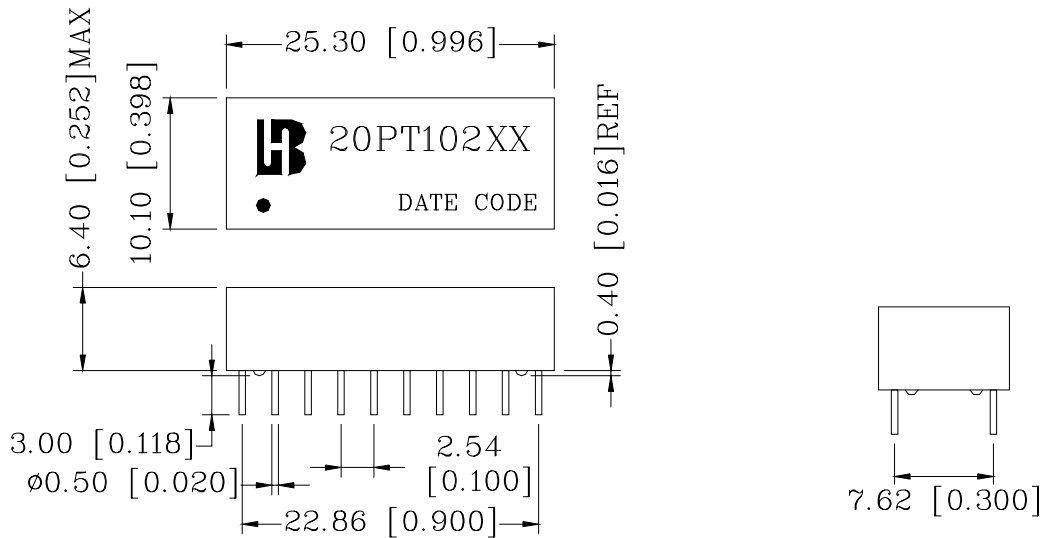
Insulation Resistance: 10,000 MΩ

Part Number	Turn Ratio (±5%)		Insertion Loss (dB Max)	Return Loss (dB Min)			Cross talk (dB Min)	CMRR (dB Min)		Mech.
	Transmit	Receive		0.3~100MHz	0.3-30MHz	30-60MHz		60-80MHz	0.3-100 MH	
20PT1021	1CT:1CT	1:1	-1.15	-18	-14	-12	-38	-40		DP1
20PT1021A	1CT:1CT	1:1	-1.15	-18	-14	-12	-38	-40		DP1
20PT1021B	1CT:1CT	1:1	-1.15	-18	-14	-12	-38	-40		DP1
20PT1021C	1CT:1CT	1:1	-1.15	-18	-14	-12	-38	-40		DP1
20PT1021D	1CT:1CT	1:1	-1.15	-18	-14	-12	-38	-40		DP1
20PT1021E	1CT:1CT	1:1	-1.15	-18	-14	-12	-38	-40		DP1
20PT1021F	1CT:1CT	1:1	-1.1	-18	-14	-12	-38	-40		DP1
20PT1021G	1CT:1CT	1:1	-1.15	-18	-14	-12	-38	-40		DP1
20PT1021H	1CT:1CT	1:1	-1.15	-18	-14	-12	-38	-40		DP1
20PT1021J	1CT:1CT	1:1	-1.15	-18	-14	-12	-38	-40		DP1
20PT1021R	1CT:1CT	1:1	-1.0	-18	-14	-12	-38	-40		DP1
20PT1021S	1CT:1CT	1:1	-1.15	-18	-14	-12	-38	-40		DP2
20PT1021S-2	2CT:1CT	1:1	-1.15	-18	-14	-12	-38	-40		DP2
20PT1022	1CT:1CT	1:1	-1.15	-18	-14	-12	-35	-40	-30	DP1
20PT1023	1CT:1CT	1:1	-1.15	-18	-14	-12	-38	-40		DP1
20PT1025	1CT:1CT	1:1	-1.15	-18	-14	-12	-38	-40		DP1
20PT1025A	1CT:1CT	1:1	-1.15	-18	-14	-12	-38	-40		DP1

- Note : 20PT1021S-2 Leakage Inductance : 1.3uH Max(Transmit)/0.5uH Max.(Receive)
- Note:20PT1021R Leakage Inductance : 0.4 uH Max , CW/W : 20 pF Max
- Note: 20PT1021S CW/W: 25 pF Max

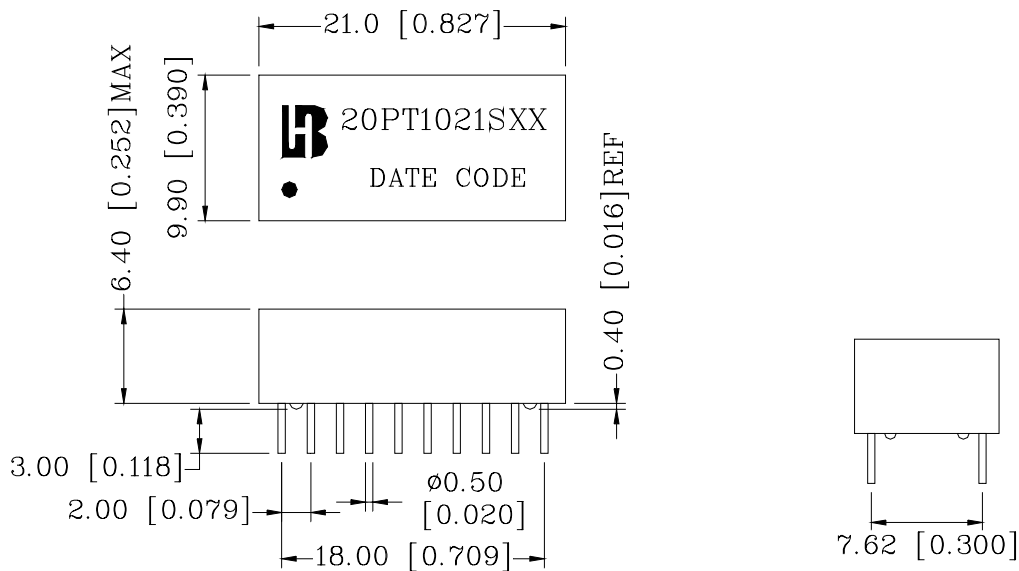
**Mechanicals**

**DP1**



Units: mm[Inches] Tolerance: xx.x0±0.25[0.010]  
0.xx±0.05[0.002]

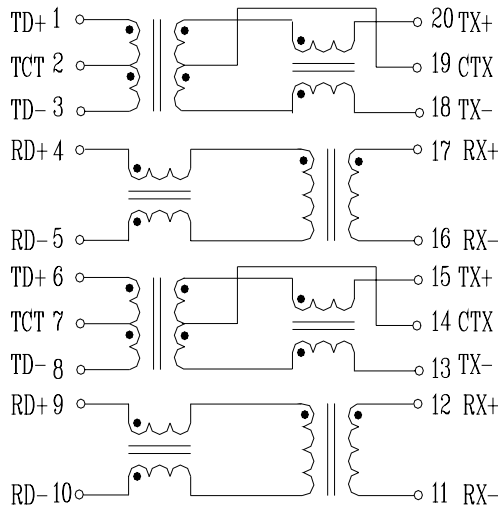
**DP2**



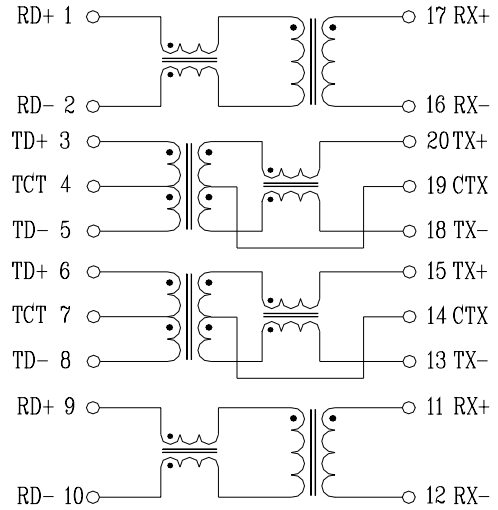
Units: mm[Inches] Tolerance: xx.x0±0.25[0.010]  
0.xx±0.05[0.002]

**Schematics**

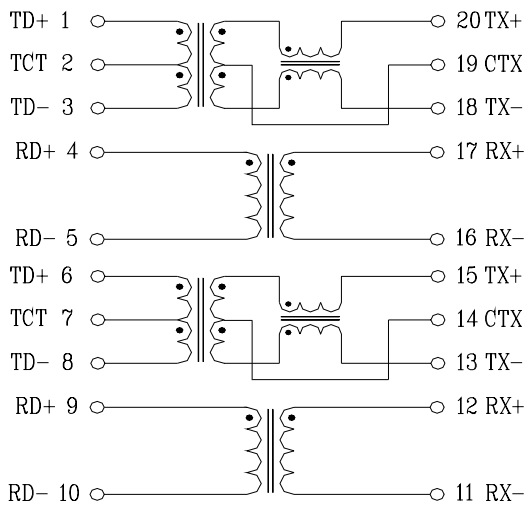
**20PT1021**



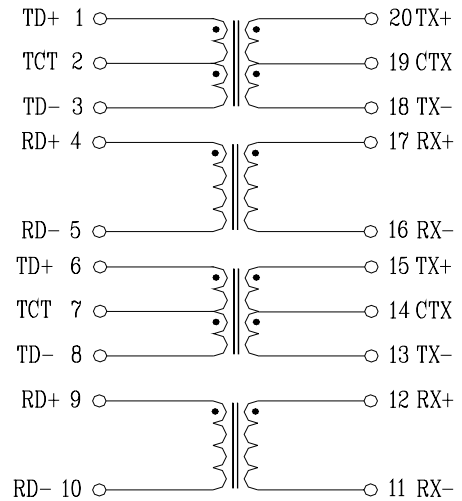
**20PT1021A**



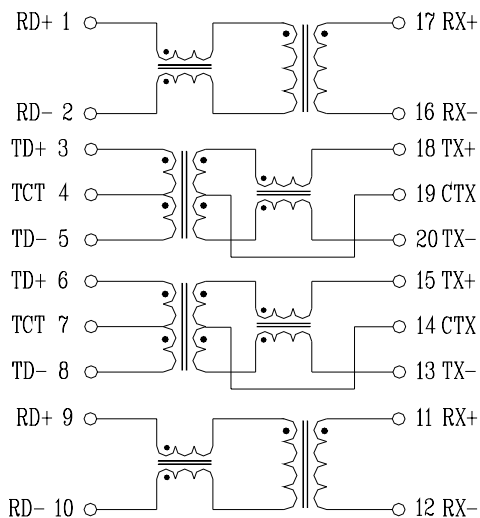
**20PT1021B**



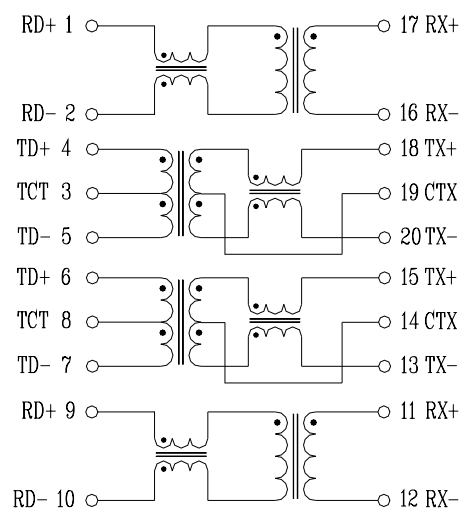
**20PT1021C**



**20PT1021D**



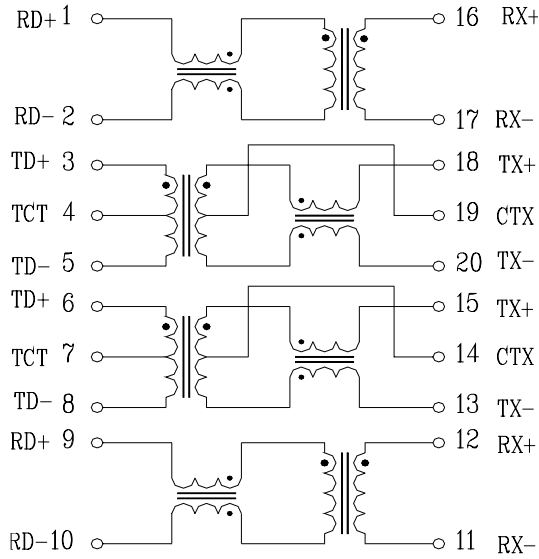
**20PT1021E**



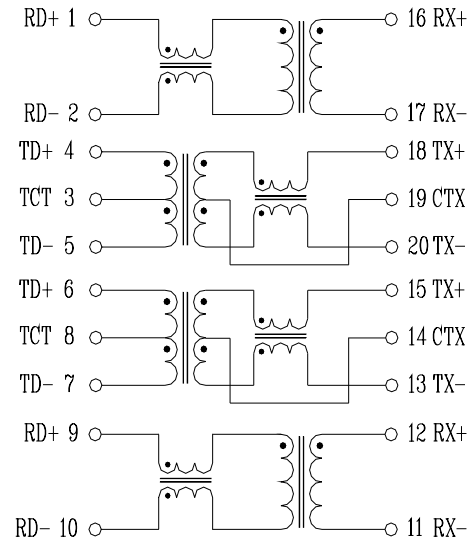
10/00 BASE DUAL PORT TRANSFORMERS

462 Boston St - Topsfield, MA 01983 - Phone: 978-887-8050 - Fax: 978-887-5434

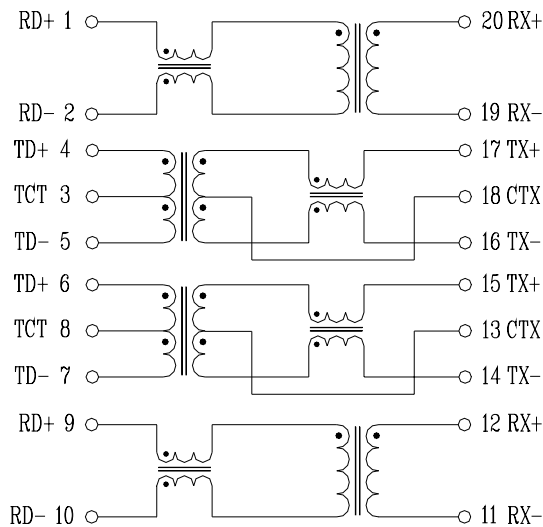
**20PT1021F**



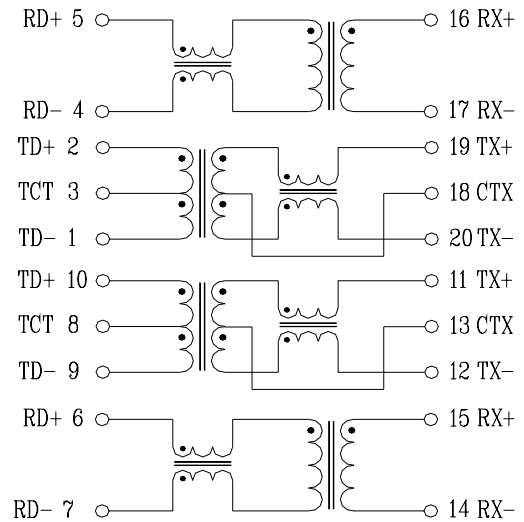
**20PT1021G**



**20PT1021H**



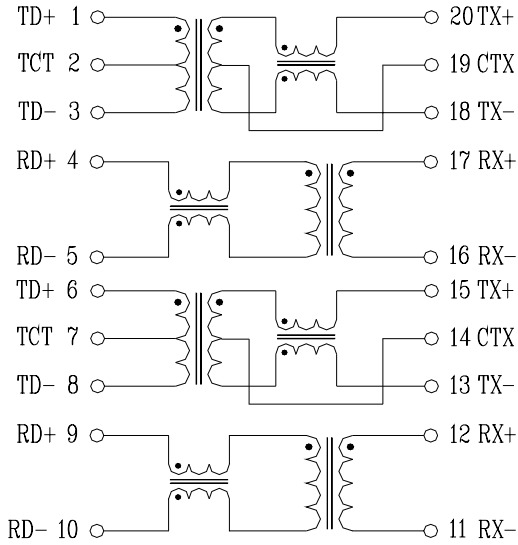
**20PT1021J**



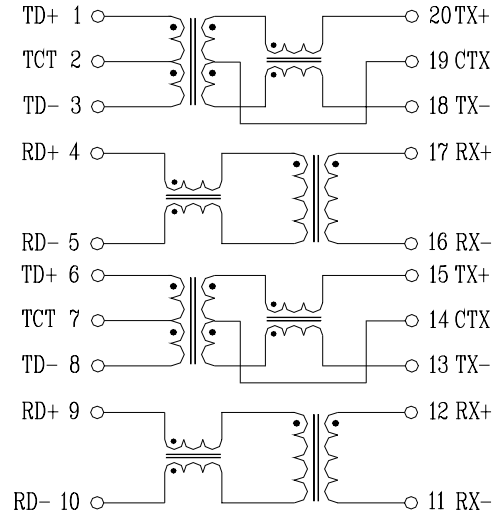
**10/00 BASE DUAL PORT TRANSFORMERS**

462 Boston St - Topsfield, MA 01983 - Phone: 978-887-8050 - Fax: 978-887-5434

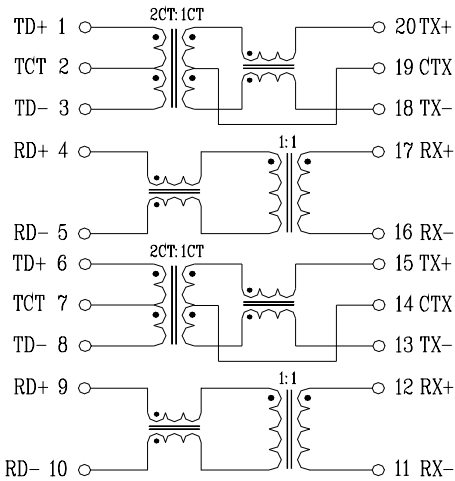
**20PT1021R**



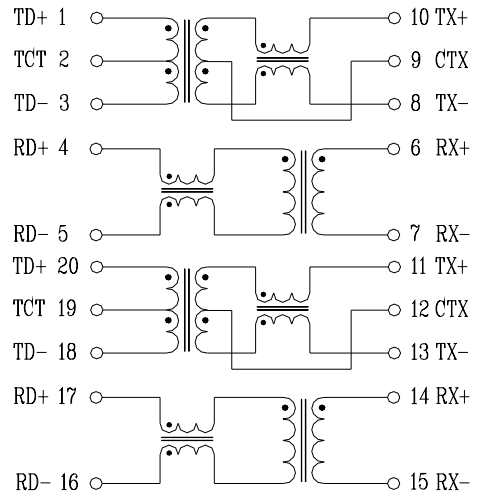
**20PT1021S**



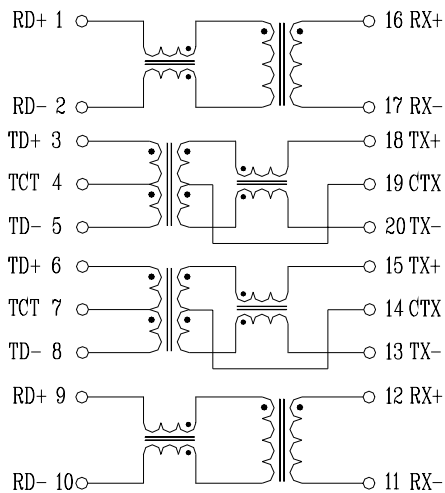
**20PT1021S-2**



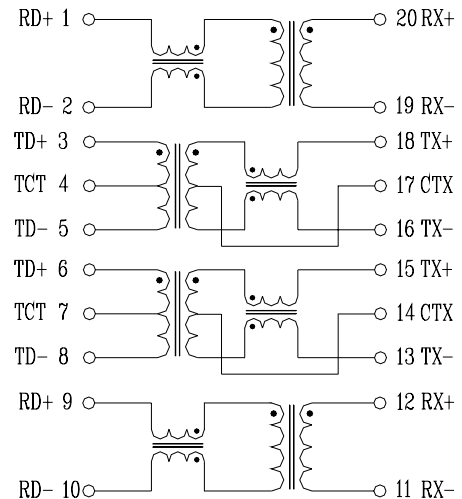
**20PT1022**



**20PT1023**



**20PT1025**



10/00 BASED DUAL PORT TRANSFORMERS

462 Boston St - Topsfield, MA 01983 - Phone: 978-887-8050 - Fax: 978-887-5434

**20PT1025A**

