



查询"LM1964"供应商

LM1964 Sensor Interface Amplifier

General Description

The LM1964 is a precision differential amplifier specifically designed for operation in the automotive environment. Gain accuracy is guaranteed over the entire automotive temperature range (-40°C to $+125^{\circ}\text{C}$) and is factory trimmed prior to package assembly. The input circuitry has been specifically designed to reject common-mode signals as much as 3V below ground on a single positive power supply. This facilitates the use of sensors which are grounded at the engine block while the LM1964 itself is grounded at chassis potential. An external capacitor sets the maximum operating frequency of the amplifier, thereby filtering high frequency transients. Both inputs are protected against accidental shorting to the battery and against load dump transients. The input impedance is typically 1 M Ω .

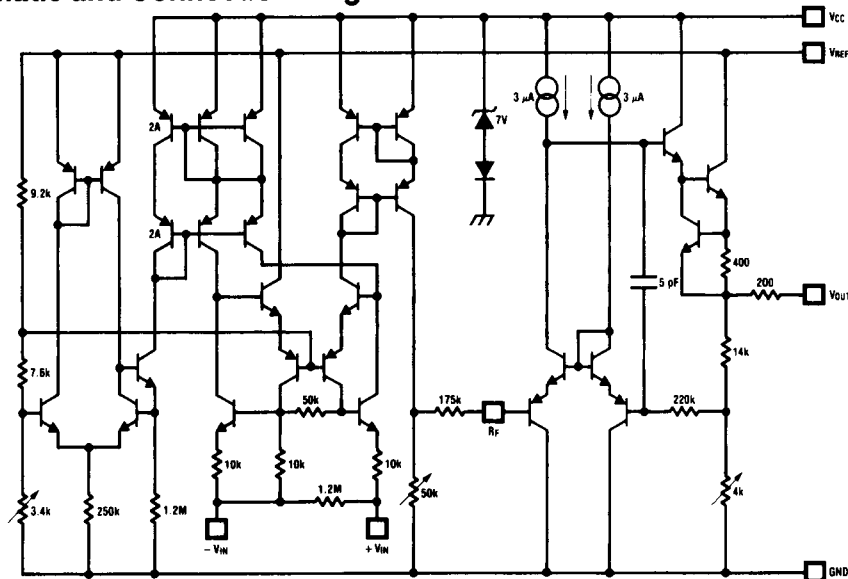
The output op amp is capable of driving capacitive loads and is fully protected. Also, internal circuitry has been pro-

vided to detect open circuit conditions on either or both inputs and force the output to a "home" position (a ratio of the external reference voltage).

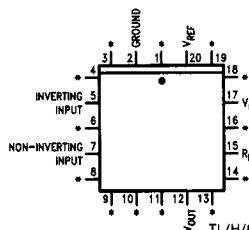
Features

- Normal circuit operation guaranteed with inputs up to 3V below ground on a single supply
- Gain factory trimmed and guaranteed over temperature ($\pm 3\%$ of full-scale from -40°C to $+125^{\circ}\text{C}$)
- Low power consumption (typically 1 mA)
- Fully protected inputs
- Input open circuit detection
- Operation guaranteed over the entire automotive temperature range (-40°C to $+125^{\circ}\text{C}$)
- Single supply operation

Schematic and Connection Diagrams



Plastic Chip Carrier Package



Order Number LM1964V
See NS Package Number V20A

*Pins 1, 3, 4, 6, 8, 9, 10, 11, 13, 14, 16, 18, 19 are trim pins and should be left floating.

Top View

Absolute Maximum Ratings

If Military/Aerospace specified devices are required, please contact the National Semiconductor Sales Office/Distributors for availability and specifications.

V _{CC} Supply Voltage (R _{VCC} = 15k Ω)	± 60 V
V _{REF} Supply Voltage	-0.3V to +6V
DC Input Voltage (Either Input)	-3V to +16V
Input Transients (Note 1)	± 60 V
Power Dissipation (see Note 6)	1350 mW
Output Short Circuit Duration	Indefinite

Operating Temperature Range	-40°C to +125°C
Storage Temperature Range	-65°C to +150°C

Soldering Information	
Plastic Chip Carrier Package	
Vapor Phase (60 seconds)	215°C
Infrared (15 seconds)	220°C

See AN-450 "Surface Mounting Methods and Their Effect on Product Reliability" for other methods of soldering surface mount devices.

Electrical Characteristics

V_{CC} = 12V, V_{REF} = 5V, T_A = 25°C unless otherwise noted

Parameter	Conditions	(Note 2)			(Note 3)			Units
		Min	Typ	Max	Min	Typ	Max	
Differential Voltage Gain	V _{DIF} = 0.5V -1V \leq V _{CM} \leq +1V	4.41	4.50	4.59				V/V
	V _{DIF} = 0.5V, -40°C \leq T _A \leq 125°C -3V \leq V _{CM} \leq +1V				4.36	4.50	4.64	V/V
Gain Error (Note 5)	0 \leq V _{DIF} \leq 1V -1V \leq V _{CM} \leq +1V	-2	0	2				%/FS
	0 \leq V _{DIF} \leq 1V -3V \leq V _{CM} \leq +1V -40°C \leq T _A \leq +125°C				-3	0	3	%/FS
Differential Input Resistance	0 \leq V _{DIF} \leq 1V -1V \leq V _{CM} \leq +1V	1.00	1.20					M Ω
	0 \leq V _{DIF} \leq 1V -3V \leq V _{CM} \leq +1V -40°C \leq T _A \leq +125°C				0.70	1.20		M Ω
Non-Inverting Input Bias Current	0 \leq V _{DIF} \leq 1V -1V \leq V _{CM} \leq +1V		0.3	1.0				μ A
	0 \leq V _{DIF} \leq 1V -3V \leq V _{CM} \leq +1V -40°C \leq T _A \leq +125°C				0.3	1.5		μ A
Inverting Input Bias Current	0 \leq V _{DIF} \leq 1V -1V \leq V _{CM} \leq +1V		45	100				μ A
	0V \leq V _{DIF} \leq 1V -3V \leq V _{CM} \leq +1V -40°C \leq T _A \leq +125°C				45	150		μ A
V _{CC} Supply Current	V _{CC} = 12V, R _{VCC} = 15k		300	500				μ A
V _{REF} Supply Current	4.75V \leq V _{REF} \leq 5.5V		0.5	1.0				mA
Common-Mode Voltage Range (Note 4)	-40°C \leq T _A \leq +125°C	-1		1	-3		1	V
DC Common-Mode Rejection Ratio	Input Referred -1V \leq V _{CM} \leq +1V V _{DIF} = 0.5V	50	60					dB
Open Circuit Output Voltage	One or Both Inputs Open, -1V \leq V _{CM} \leq +1V	0.371	0.397	0.423				XV _{REF}
	-3V \leq V _{CM} \leq +1V -40°C \leq T _A \leq +125°C				0.365	0.397	0.429	XV _{REF}
Short Circuit Output Current	Output Grounded	1.0	2.7	5.0				mA
V _{CC} Power Supply Rejection Ratio	V _{CC} = 12V, R _{VCC} = 15K V _{DIF} = 0.5V	50	65					dB
V _{REF} Power Supply Rejection Ratio	V _{REF} = 5 V _{DC} V _{DIF} = 0.5V	60	74					dB

Note 1: This test is performed with a 1000 Ω source impedance.

Note 2: These parameters are guaranteed and 100% production tested.

Note 3: These parameters will be guaranteed but not 100% production tested.

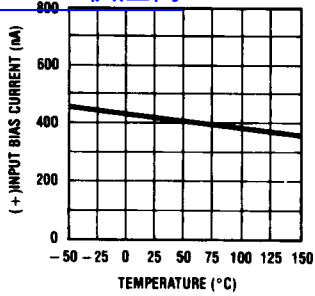
Note 4: The LM1964 has been designed to common-mode to -3V, but production testing is only performed at ± 1 V.

Note 5: Gain error is given as a percent of full-scale. Full-scale is defined as 1V at the input and 4.5V at the output.

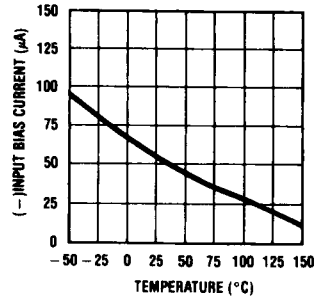
Note 6: For operation in ambient temperatures above 25°C the device must be derated based on a maximum junction temperature of 150°C and a thermal resistance of 93°C/W junction to ambient.

Typical Performance Characteristics

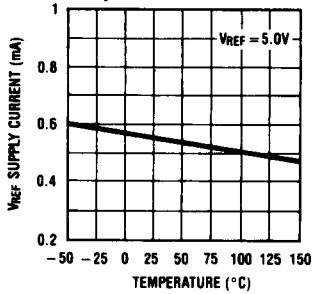
查询"LM1964"快应用
Non-Inverting Input Bias Current vs Temperature



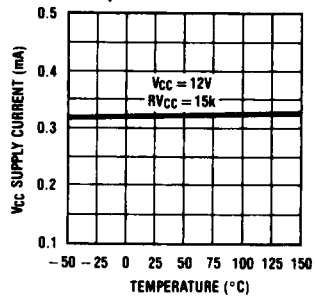
Inverting Input Bias Current vs Temperature



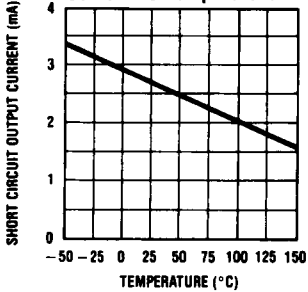
V_{REF} Supply Current vs Temperature



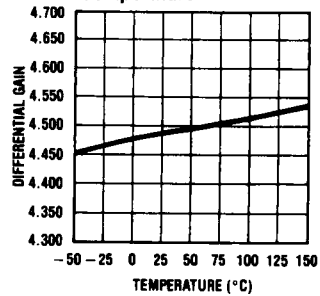
V_{CC} Supply Current vs Temperature



Short Circuit Output Current vs Temperature



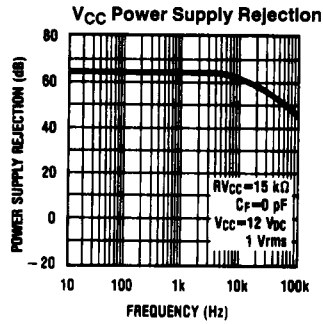
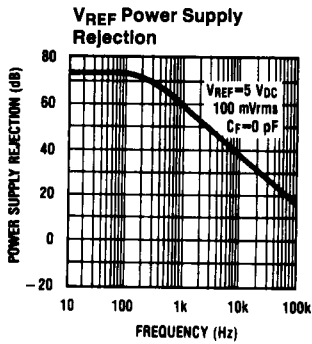
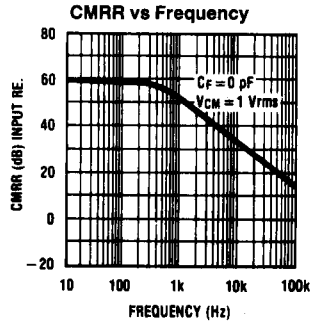
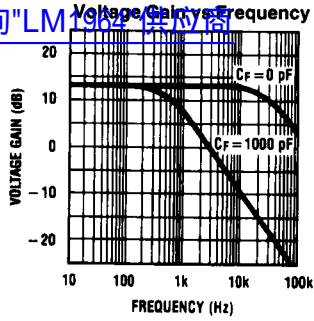
Differential Gain vs Temperature



TL/H/6744-3

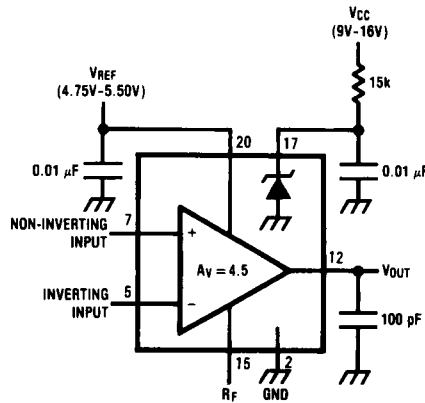
Typical Performance Characteristics (Continued)

查询"LM1964"提供应商



TL/H/6744-4

Test Circuit



TL/H/6744-5