

DOUBLE-BALANCED MICROWAVE MIXER 0.5-18.0 GHz

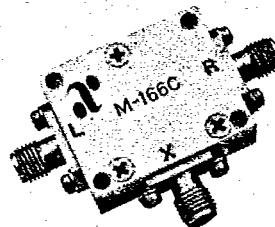
8 dB Typical Midband Conversion Loss
22 dB Typical Midband L-R Isolation

B-05-11
T-77-09

Guaranteed Specifications*

(From -55°C to +85°C)

Frequency Range	RF, LO Ports	0.5-18.0 GHz	
	IF Port (3 dB BW)	2-5000 MHz	
Conversion Loss**	0.5-8.0 GHz	9 dB Max	
	8.0-18 GHz	10 dB Max	
Isolation	LO to RF	(0.5-1 GHz)	10 dB Min
		(1-15 GHz)	15 dB Min
		(15-18 GHz)	13 dB Min
	LO to IF	(0.5-8 GHz)	18 dB Min
		(8-14 GHz)	16 dB Min
		(14-18 GHz)	20 dB Min
RF to IF	(0.5-18 GHz)	17 dB Min	



Operating Characteristics

Impedance 50 Ohms Nominal

Maximum Input Total Power 600 mW Max @ 25°C
Derated 6.4 mW/°C

RF Input
1 dB Compression 9.5 dBm Typical
1 dB Desensitization 9 dBm Typical

SSB Noise Figure Within 1 dB of Conversion Loss Max

3rd Order Input Intercept
2.0 GHz +20 dBm Typical
8.0 GHz +20 dBm Typical
18.0 GHz +18 dBm Typical

Package Type M-166 Flatpack (FP-10)
M-166C Connectorized (C-3)
(See pages 475 and 481 for physical dimensions.)

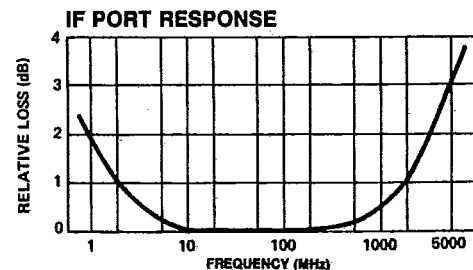
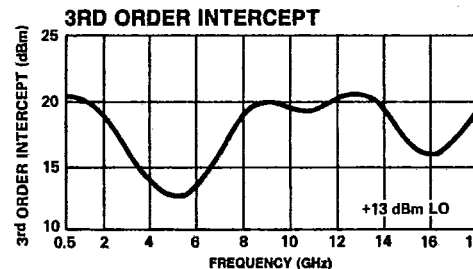
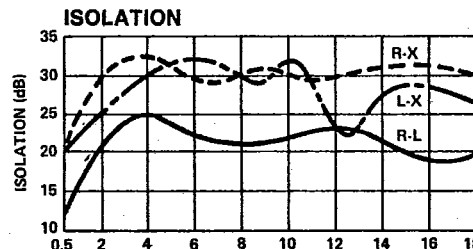
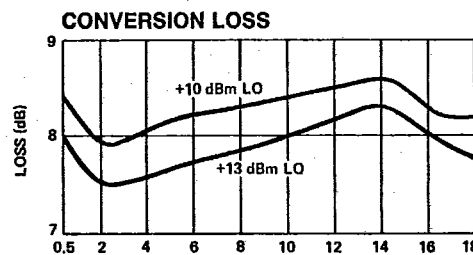
Environmental
These units are designed to meet the environmental and screening requirements of Table 1C, page 498 of the Adams-Russell catalog.

Pin Configuration RF; P3, LO; P1; IF; P2.
Case ground.

*All specifications apply when operated at +13 dBm available LO power with 50 ohm source and load impedance.

**For IF frequencies of 5-1000 MHz and an RF of -10 dBm or lower.
Formerly Anzac Model MD-166, MDC-166.

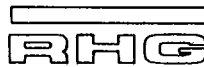
Typical Performance



Ordering Information

Model No.	Part No.	Connectors	Unit Price (5-9 Units)
M-166	9309	Pin	\$379
M-166C	9304	SMA	466

Delivery is from stock.



Make the Connection...

Adams Russell
COMPONENTS GROUP

161 E. Industry Court Deer Park, NY 11729 Fax (516) 242-1222

For Technical Information, Call (516) 242-1100
344

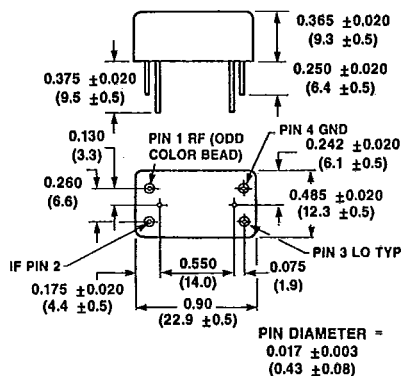
For Ordering Information, Call (617) 273-3333

UNLESS OTHERWISE NOTED:
 .XXX = ±0.010, .XX = ±0.020
 (.X = ±0.3), (.XX = ±0.5)
 DIMENSIONS () ARE IN MM.

MECHANICAL DATA

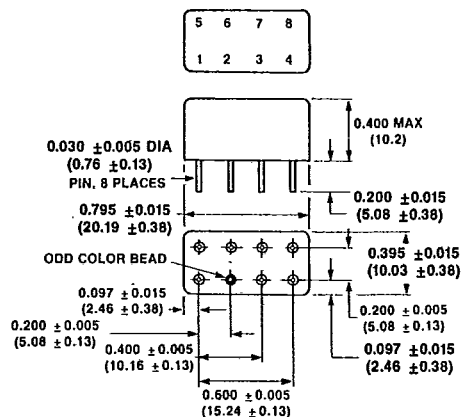
T-90-20

RH-2



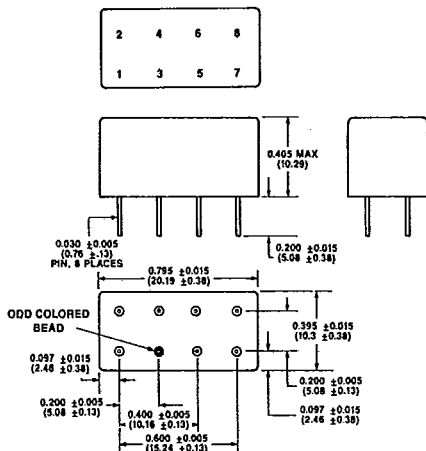
WEIGHT (APPROX.): 0.23 OUNCES 6.5 GRAMS

RH-3



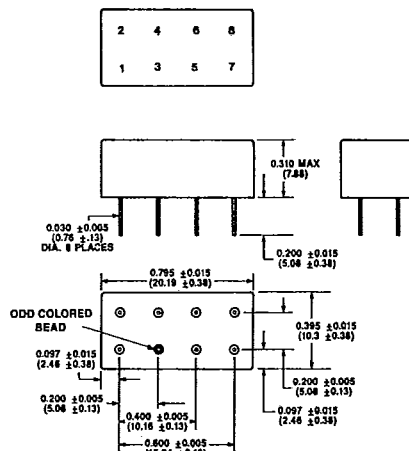
WEIGHT (APPROX.): 0.23 OUNCES 6.5 GRAMS

RH-4



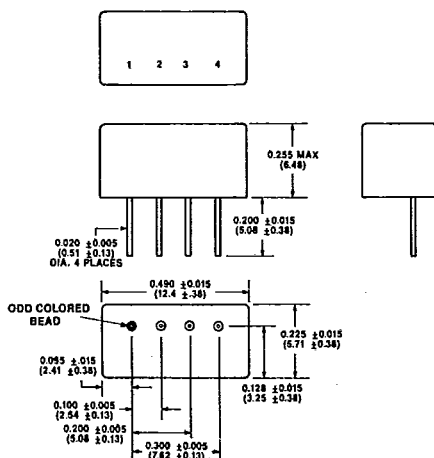
WEIGHT (APPROX.): 0.23 OUNCES 6.5 GRAMS

RH-5



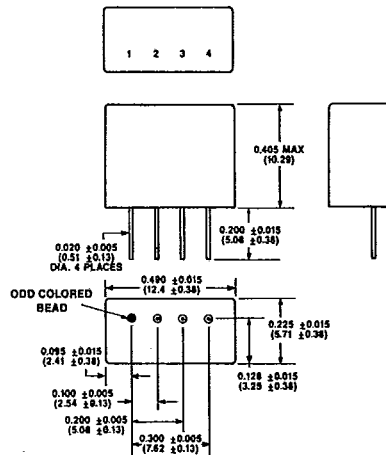
WEIGHT (APPROX.): 0.16 OUNCES 4.4 GRAMS

RH-6



WEIGHT (APPROX.): 0.05 OUNCES 1.5 GRAMS

RH-7

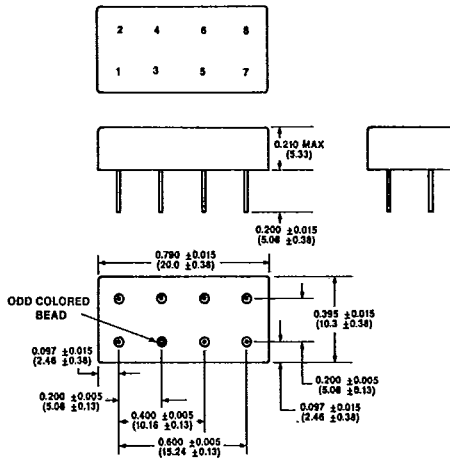


WEIGHT (APPROX.): 0.04 OUNCES 1.3 GRAMS

UNLESS OTHERWISE NOTED:
 .XXX = ±0.010, .XX = ±0.020
 (.X = ±0.3), (.XX = ±0.5)
 DIMENSIONS IN () ARE IN MM.

MECHANICAL DATA

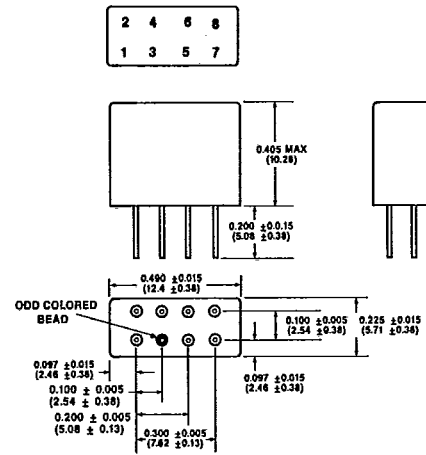
RH-8



WEIGHT (APPROX.): 0.13 OUNCES 3.5 GRAMS

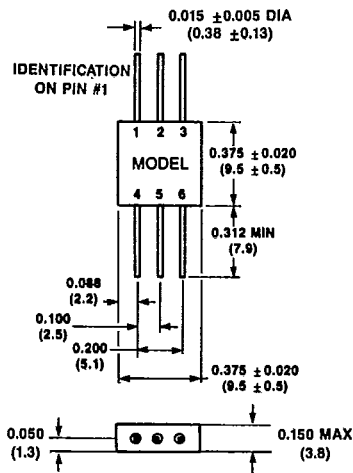
RH-9

T-90-20



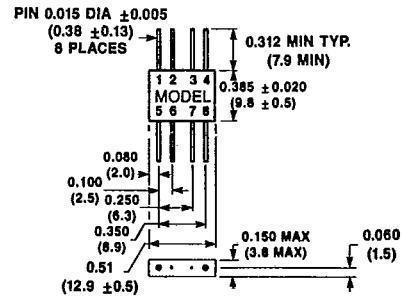
WEIGHT (APPROX.): 0.06 OUNCES 1.6 GRAMS

FP-1



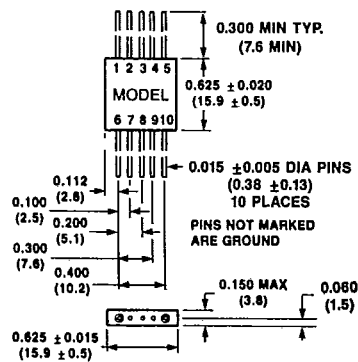
WEIGHT (APPROX.): 0.07 OUNCES 2 GRAMS

FP-2



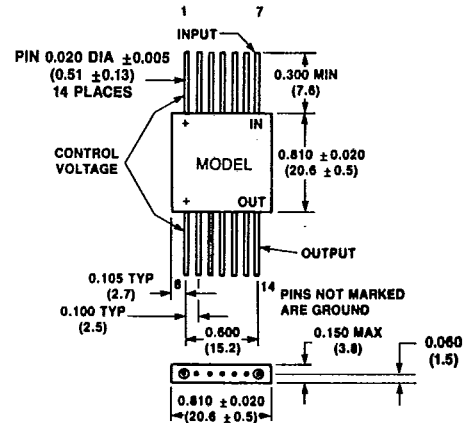
WEIGHT (APPROX.): 0.09 OUNCES 2.5 GRAMS

FP-3



WEIGHT (APPROX.): 0.12 OUNCES 3.4 GRAMS

FP-4



WEIGHT (APPROX.): 0.21 OUNCES 6 GRAMS

UNLESS OTHERWISE NOTED:

.XXX = ±0.010, .XX = ±0.020

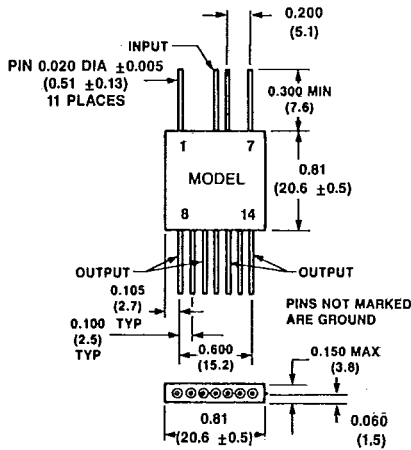
(.X = ±0.3), (.XX = ±0.5)

DIMENSIONS IN () ARE IN MM.

MECHANICAL DATA

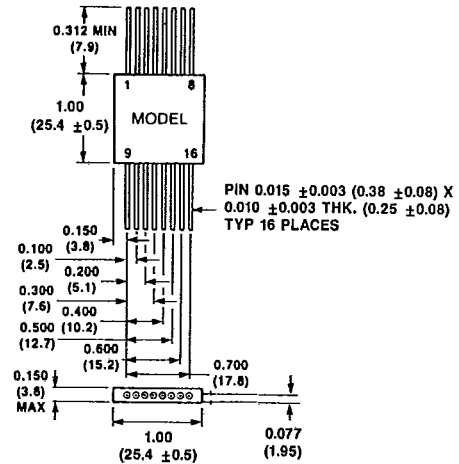
T-90-20

FP-5



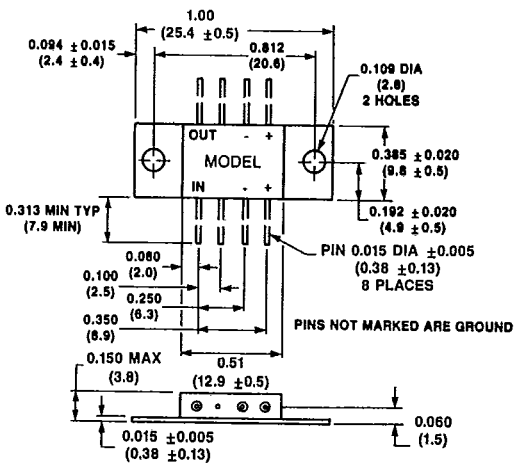
WEIGHT (APPROX.): 0.21 OUNCES 6 GRAMS

FP-6



WEIGHT (APPROX.): 0.24 OUNCES 6.8 GRAMS

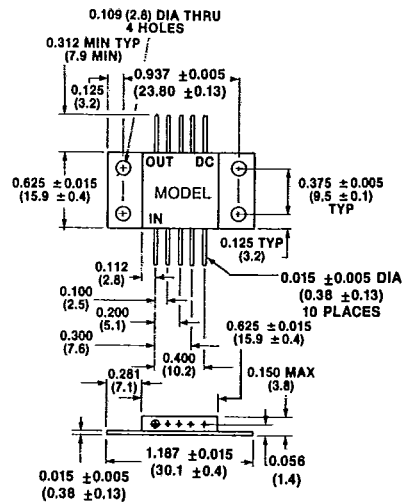
FP-7



(NOTE: AM-123 POSITIVE VOLTAGE ONLY.)

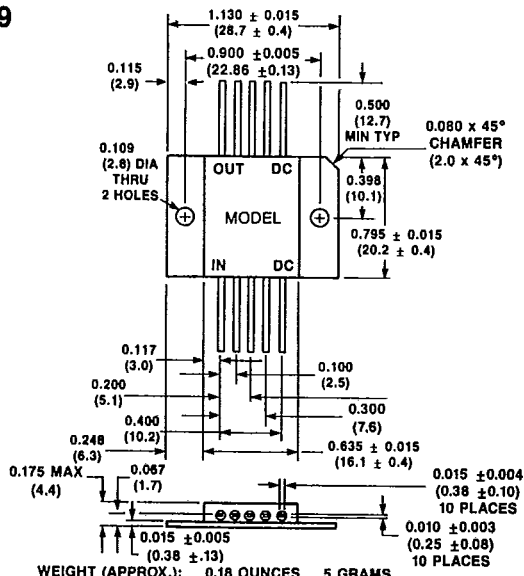
WEIGHT (APPROX.): 0.09 OUNCES 2.5 GRAMS

FP-8



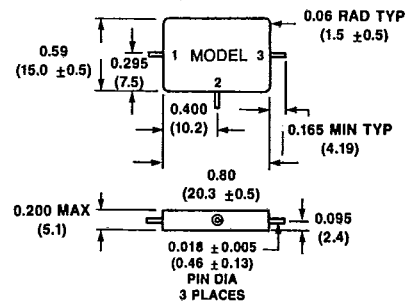
WEIGHT (APPROX.): 0.17 OUNCES 4.8 GRAMS

FP-9



WEIGHT (APPROX.): 0.18 OUNCES 5 GRAMS

FP-10



WEIGHT (APPROX.): 0.35 OUNCES 10 GRAMS