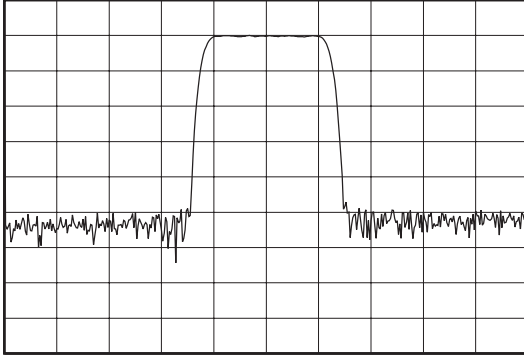
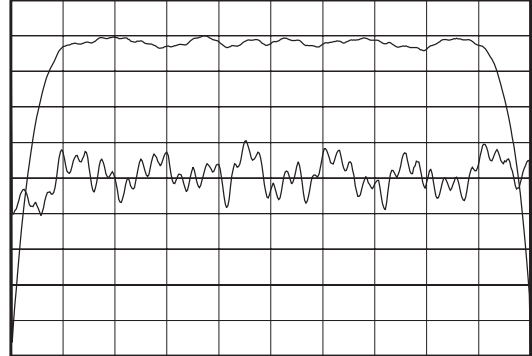


Data Sheet

Typical Performance



Horizontal: 4 MHz/Div
Vertical: 10 dB/Div

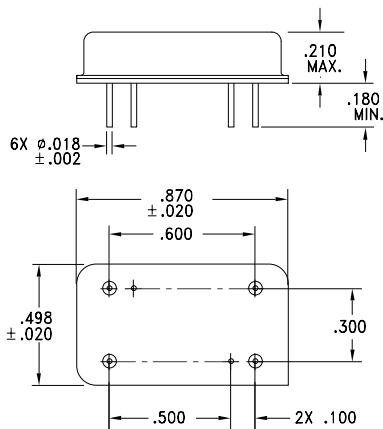


Horizontal: 1 MHz/Div
Vertical: 1 dB/Div
Vertical: 25 nsec/Div

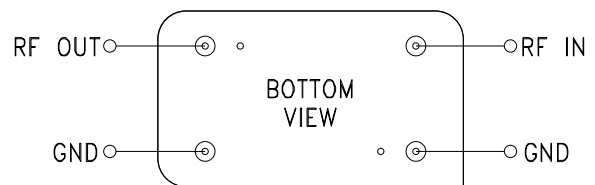
Specifications

Parameter	Unit	Minimum	Typical	Maximum
Center Frequency	MHz	69.88	70	70.12
Insertion Loss at f_0	dB	-	22.9	25
1 dB Bandwidth	MHz	8.6	8.69	-
3 dB Bandwidth	MHz	9	9.26	-
40 dB Bandwidth	MHz	-	11.45	11.7
Passband Variation	dB	-	0.3	0.8
Phase Linearity	deg	-	2	4
Group Delay Variation	nsec	-	40	60
Absolute Delay	μ sec	-	2	-
Ultimate Rejection	dB	50	60	-
Substrate Material	-	-	YZ LiNbO ₃	-
Ambient Temperature	$^{\circ}$ C	-	25	-

Package Outline



Matching Configuration



No Matching Required
Nominal Source/Load Impedance = 50 Ω
Package Style I

11/17/99