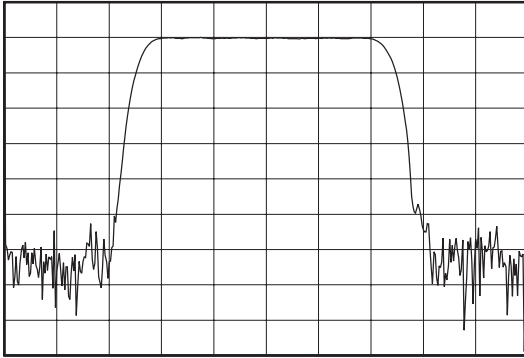
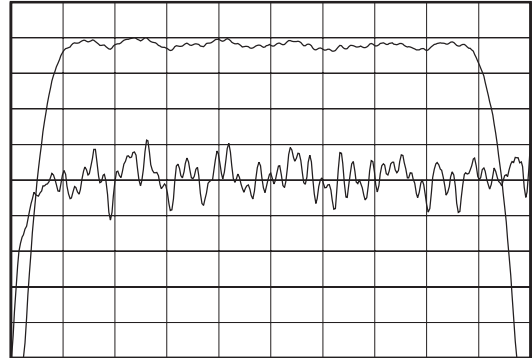


Data Sheet

Typical Performance



Horizontal: 2.5 MHz/Div
Vertical: 14.5 dB/Div



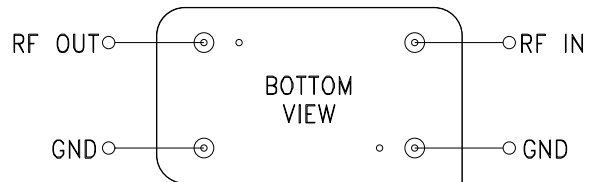
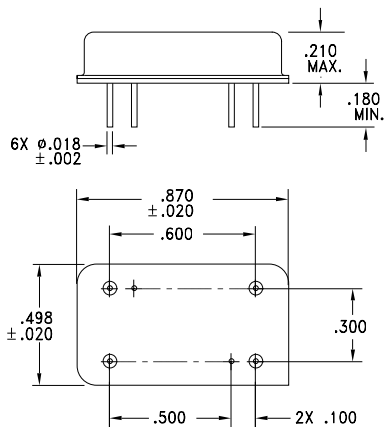
Horizontal: 1.3 MHz/Div
Vertical: 1 dB/Div
Vertical: 15 nsec/Div

Specifications

Parameter	Unit	Minimum	Typical	Maximum
Center Frequency	MHz	69.8	70	70.2
Insertion Loss at fo	dB	-	22.4	24
1 dB Bandwidth	MHz	10.7	10.84	-
3 dB Bandwidth	MHz	11	11.47	-
40 dB Bandwidth	MHz	-	13.87	14.2
Passband Variation	dB	-	0.38	0.6
Phase Linearity	deg	-	2.7	4
Group Delay Variation	nsec	-	35	70
Absolute Delay	μsec	-	1.95	-
Ultimate Rejection	dB	55	60	-
Substrate Material	-	-	128 LiNbO ₃	-
Ambient Temperature	°C	-	25	-

Package Outline

Matching Configuration



No Matching Required
Nominal Source/Load Impedance = 50Ω
Package Style I

11/17/99