

Document No.	853-1409
ECN No.	98304
Date of issue	December 13, 1989
Status	Product Specification
FAST Products	

FEATURES

- TTL Inputs
- Output enable control
- High current source and sink capability
- Matched propagation delay times (t_{PLH} , t_{PHL})
- Symmetrical rise and fall times
- ESD protection greater than 2000 volts
- Single +5V supply
- Surface mount package

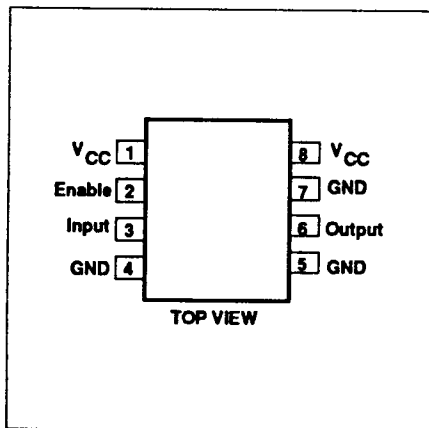
APPLICATIONS

- High speed serial data communication
- Fiber optic data links
- Local area and metropolitan area networks
- Digital Television
- PBX systems

ASSOCIATED PRODUCTS

- NE 5210/11/12 transimpedance amplifiers
- NE5214/5217 postamplifiers with link status indicator
- 74F5302 dual fiber optic LED driver

PIN CONFIGURATION



FAST 74F5300

Fiber Optic LED Driver

TYPE	TYPICAL PROPAGATION DELAY	TYPICAL SUPPLY CURRENT (TOTAL)
74F5300	2.5 ns	8.0mA

ORDERING INFORMATION

PACKAGES	COMMERCIAL RANGE $V_{CC} = 5V \pm 10\%$; $T_A = 0^\circ C$ to $+70^\circ C$
8-Pin Plastic DIP	74F5300N
8-Pin Plastic SO	74F5300D

INPUT AND OUTPUT LOADING AND FAN-OUT TABLE

PINS	DESCRIPTION	74F(U.L.) HIGH/LOW	LOAD VALUE HIGH/LOW
Input	Data input	1.0/1.0	20 μ A/0.6mA
Enable	Enable input	1.0/1.0	20 μ A/0.6mA
Output	Current driver output	8000/266.6	160mA/160mA

NOTE:

One (1.0) FAST Unit Load is defined as: 20 μ A in the High state and 0.6mA in the Low state.

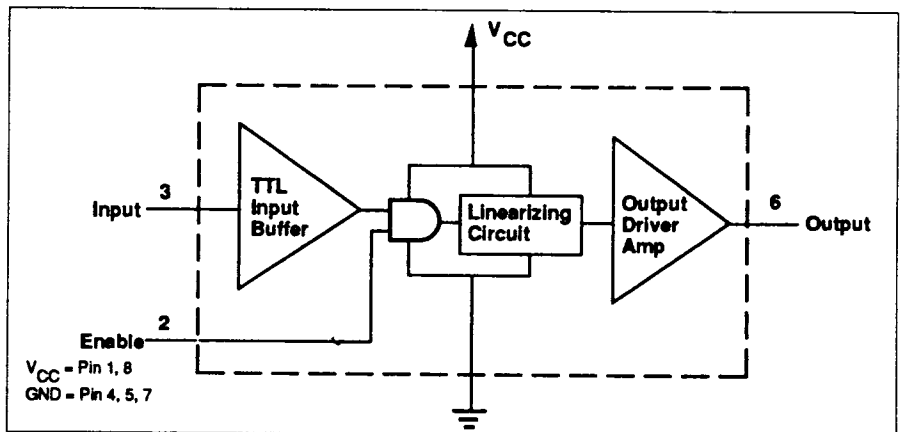
DESCRIPTION

The 74F5300 is an LED driver designed for use in fiber optics links. The 74F5300 is ideally suited for use in high speed optical high transmitter systems.

The TTL input buffer accepts TTL data. A logic High on the Enable pin enables the buffer to drive the output driver amplifier. The Linearizing Circuit ensures a constant propagation delay for t_{PLH} and

t_{PHL} , and controls the rise and fall times. The output driver amplifier is capable of sourcing more than 160 mA and sinking more than 160 mA at low impedances. The high current output driver has been designed to deal with transmission line effects of high speed switching systems with fast rising and falling edges. The performance of the system can be enhanced by matching impedance at the output for proper termination. It exhibits closely matched propagation delays

LOGIC DIAGRAM



Fiber Optic LED Driver

FAST 74F5300

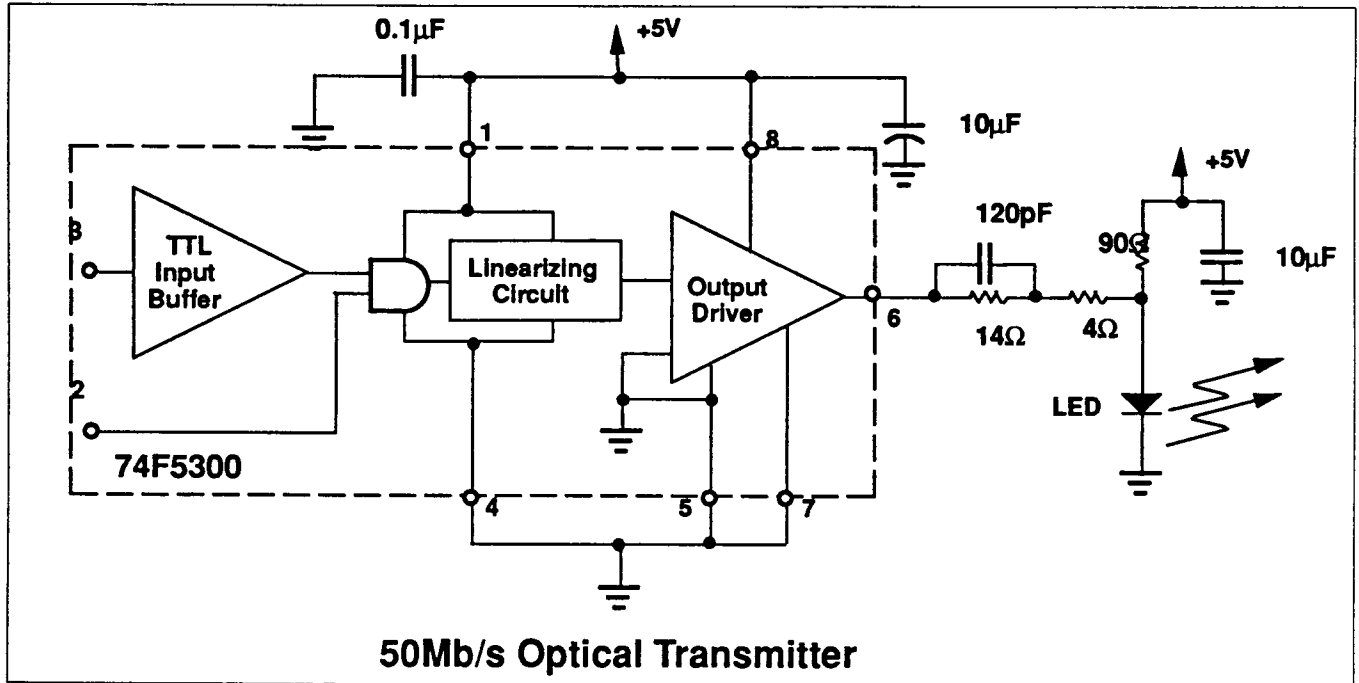
(t_{PHL} , t_{PLH}) and symmetrical rise and fall times. The resulting optical waveform has minimal Duty Cycle Distortion (DCD). When used with the external pre-bias and pre-charging circuits, the response can be tailored to a specific LED to eliminate

any overshoot and to minimize the long fall response.

Additionally, this part can be used as the transmitter in a complete fiber optic system when combined with any of the

NE5210/5211/5212 preamplifiers and NE5214/5217 preamplifiers for the optical receiver. Please refer to applications note AN1121 in the Signetics Fiber Optic Communication Data Book for more specific applications information.

APPLICATION



ABSOLUTE MAXIMUM RATINGS Operation beyond the limits set forth in this table may impair the useful life of the device. Unless otherwise noted these limits are over the operating free-air temperature range.)

SYMBOL	PARAMETER	RATING	UNIT
V_{CC}	Supply voltage	-0.5 to +7.0	V
V_{IN}	Input voltage	-0.5 to +7.0	V
I_{IN}	Input current	-30 to +5	mA
V_{OUT}	Voltage applied to output in High output state	-0.5 to V_{CC}	V
I_{OUT}	Current applied to output in Low output state	240	mA
T_A	Operating free-air temperature range	0 to +70	°C
T_{STG}	Storage temperature	-65 to +150	°C

RECOMMENDED OPERATING CONDITIONS

SYMBOL	PARAMETER	LIMITS			UNIT
		Min	Nom	Max	
V_{CC}	Supply voltage	4.5	5.0	5.5	V
V_H	High-level input voltage	2.0			V
V_L	Low-level input voltage			0.8	V
I_{IK}	Input clamp current			-18	mA
I_{OH}	High-level output current			-160	mA
I_{OL}	Low-level output current			160	mA
T_A	Operating free-air temperature range	0		70	°C

Fiber Optic LED Driver

FAST 74F5300

DC ELECTRICAL CHARACTERISTICS (Over recommended operating free-air temperature range unless otherwise noted.)

SYMBOL	PARAMETER	TEST CONDITIONS ¹			LIMITS			UNIT	
					Min	Typ ²	Max		
V _{OH}	High-level output voltage	V _{CC} = MIN V _{IL} = MAX V _{IH} = MIN	I _{OH} = -80mA	±10%V _{CC}	2.5			V	
				±5%V _{CC}	2.8	3.3	3.9	V	
			I _{OH} = -160mA	V _{CC} = 5V	3.0	3.3	3.6	V	
				±10%V _{CC}	2.0			V	
V _{OL}	Low-level output voltage	V _{CC} = MIN V _{IL} = MAX V _{IH} = MIN	I _{OL} = 100mA	±10%V _{CC}		0.42	0.55	V	
			I _{OL} = 120mA	±10%V _{CC}		0.45	0.60	V	
			I _{OL} = 160mA	±10%V _{CC}		0.55	0.80	V	
V _{IK}	Input clamp voltage	V _{CC} = MIN, I _I = I _{IK}				-0.73	-1.2	V	
I _I	Input current at maximum input voltage	V _{CC} = MAX, V _I = 7.0V					100	μA	
I _{IH}	High-level input current	V _{CC} = MAX, V _I = 2.7V					20	μA	
I _{IL}	Low-level input current	V _{CC} = MAX, V _I = 0.5V					-0.6	mA	
I _{CC}	Supply current (total)	I _{CCH}	V _{CC} = MAX				4.0	12	mA
		I _{CCL}					10.5	22	mA

NOTES:

- For conditions shown as MIN or MAX, use the appropriate value specified under recommended operating conditions for the applicable type.
- All typical values are at V_{CC} = 5V, T_A = 25°C.
- The device is not short circuit protected.

AC ELECTRICAL CHARACTERISTICS

SYMBOL	PARAMETER	TEST CONDITION	LIMITS						UNIT
			T _A = +25°C V _{CC} = 5V C _L = 50pF R _L = 100Ω			T _A = 0°C to +70°C V _{CC} = 5V ±10% C _L = 50pF R _L = 100Ω			
			Min	Typ	Max	Min	Max		
t _{PLH} t _{PHL}	Propagation delay Input or Enable to Output	Waveform 1	1.0	2.5	5.0	1.0	5.0	ns	
D _{tpw}	Pulse width distortion ¹	Frequency = 10MHz		0.8	1.2		1.8	ns	
t _{PS}	Propagation delay Skew ^{2,4}	Waveform 2		0.7	1.2		1.3	ns	
t _{RFS}	Rise and Fall time Skew ^{3,4}			0.6	1.5		1.5	ns	
t _{THL} t _{TLH}	Fall time 90% to 10% Rise time 10% to 90%	Test circuits and Waveforms	0.5	1.4	3.5	0.5	4.0	ns	
			1.0	2.0	4.0	1.0	4.5		

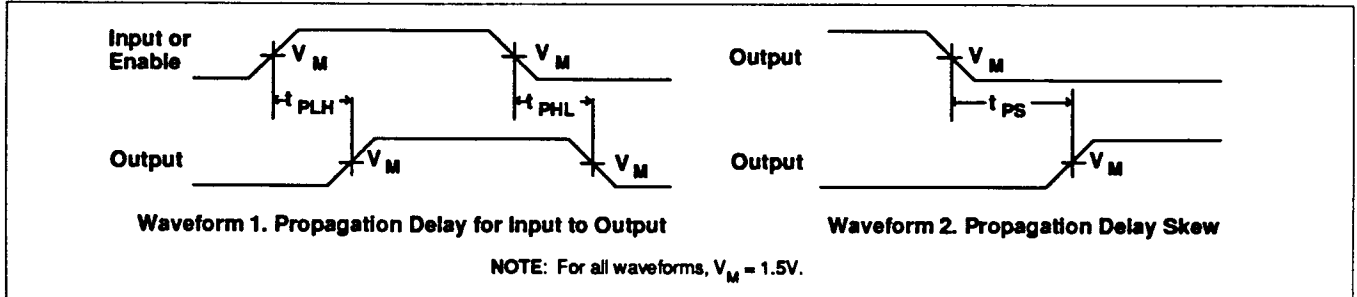
NOTE:

- D_{tpw} is defined as the difference between input pulse width and output pulse width (0 to 3 volt input swing and 50% duty cycle).
- | t_{PLH} actual - t_{PHL} actual |.
- | t_{TLH} actual - t_{THL} actual |.
- Skew times are valid only under same test conditions (temperature, V_{CC}, loading, etc.).

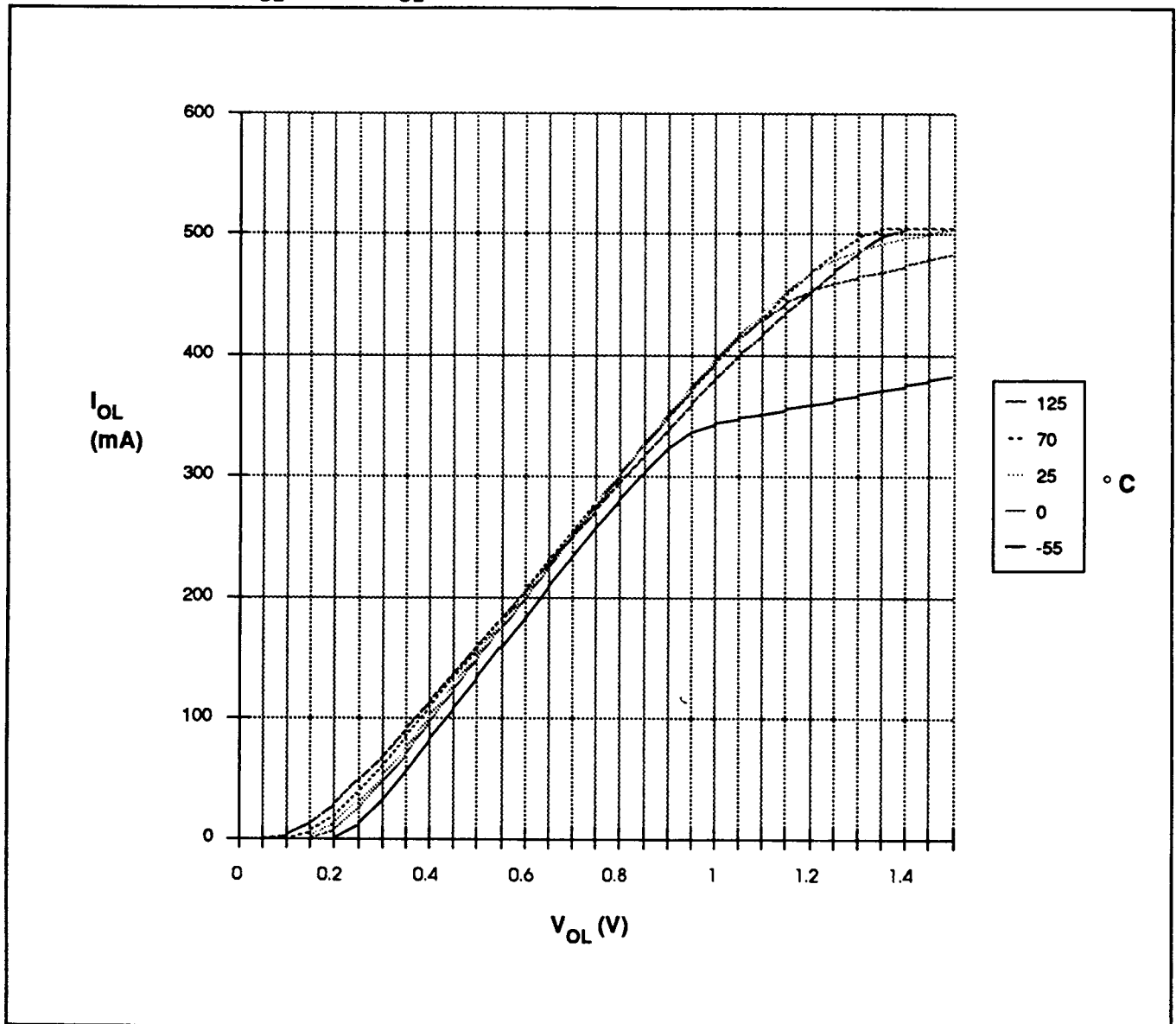
Fiber Optic LED Driver

FAST 74F5300

AC WAVEFORMS



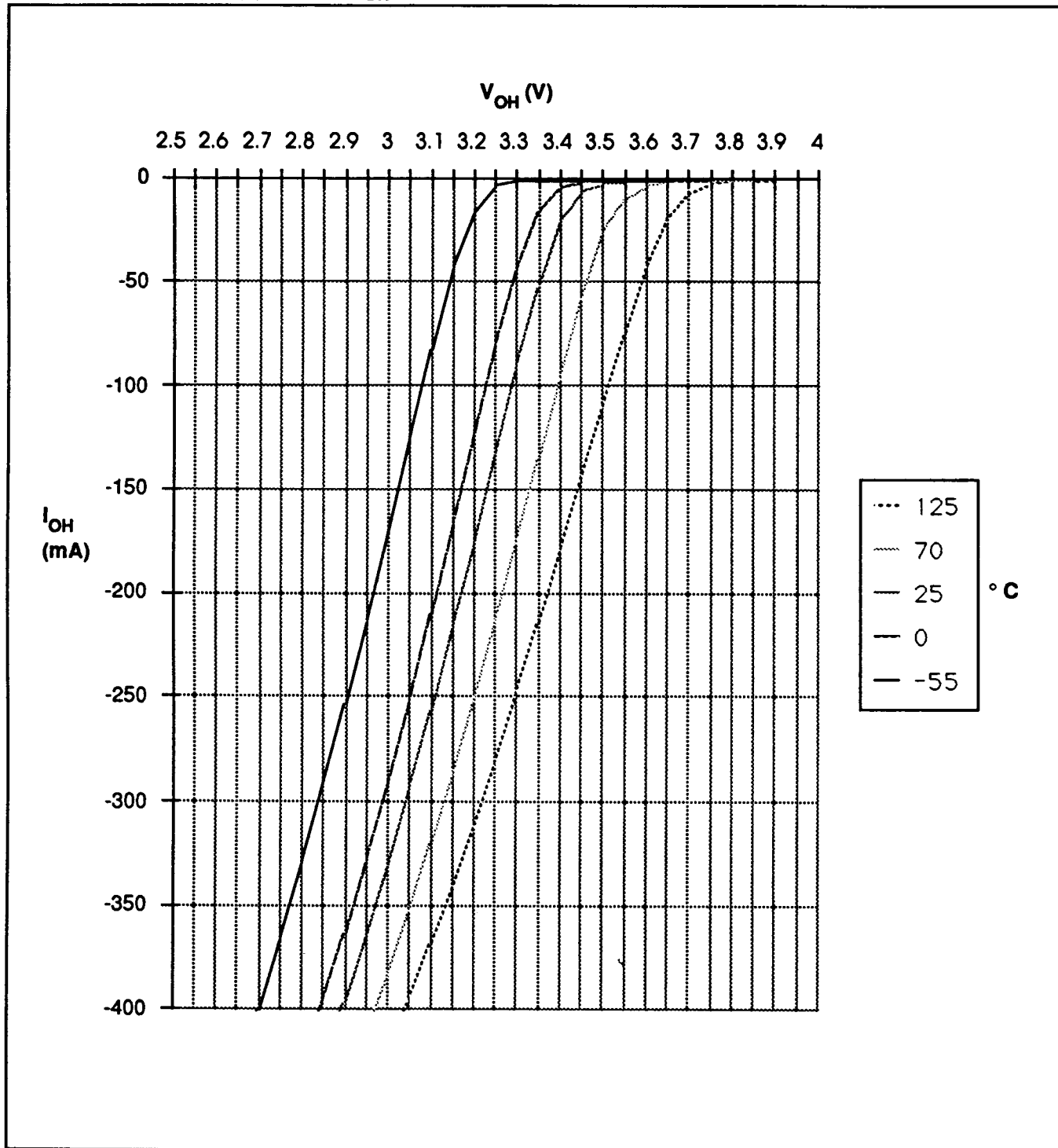
TYPICAL ($V_{CC} = 5.0V$) V_{OL} VERSUS I_{OL} FOR VARIOUS TEMPERATURES



Fiber Optic LED Driver

FAST 74F5300

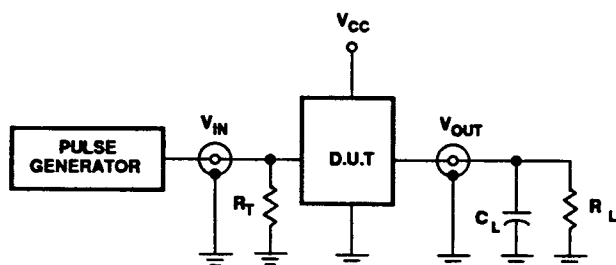
TYPICAL ($V_{CC} = 5.0V$) V_{OH} VERSUS I_{OH} FOR VARIOUS TEMPERATURES



Fiber Optic LED Driver

FAST 74F5300

TEST CIRCUIT AND WAVEFORMS



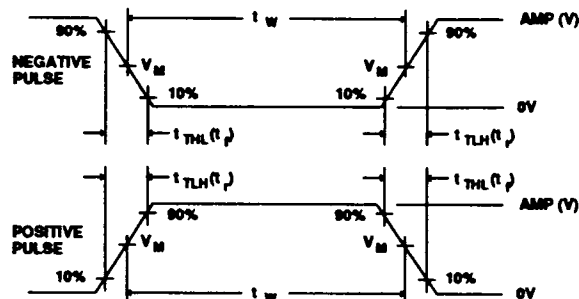
Test Circuit For Totem-Pole Outputs

DEFINITIONS

R_L = Load resistor; see AC CHARACTERISTICS for value.

C_L = Load capacitance includes jig and probe capacitance; see AC CHARACTERISTICS for value.

R_T = Termination resistance should be equal to Z_{OUT} of pulse generators.



$V_M = 1.5V$
Input Pulse Definition

FAMILY	INPUT PULSE REQUIREMENTS				
	Amplitude	Rep. Rate	t_w	t_{TLH}	t_{THL}
74F	3.0V	1MHz	500ns	2.5ns	2.5ns