

Features List

- ◆ **RC32300 32-bit Microprocessor**
 - Enhanced MIPS-II ISA
 - Enhanced MIPS-IV cache prefetch instruction
 - DSP Instructions
 - MMU with 16-entry TLB
 - 8KB Instruction Cache, 2-way set associative
 - 2KB Data Cache, 2-way set associative
 - Per line cache locking
 - Write-through and write-back cache management
 - Debug interface through the EJTAG port
 - Big or Little endian support
- ◆ **Interrupt Controller**
 - Allows status of each interrupt to be read and masked
- ◆ **I²C**
 - Flexible I²C standard serial interface to connect to a variety of peripherals
 - Standard and fast mode timing support
 - Configurable 7 or 10-bit addressable slave
- ◆ **UARTs**
 - Two 16550 Compatible UARTs
 - Baud rate support up to 1.5 Mb/s
- ◆ **Counter/Timers**
 - Three general purpose 32-bit counter/timers
- ◆ **General Purpose I/O Pins (GPIO)**
 - 36 individually programmable pins
 - Each pin programmable as input, output, or alternate function
 - Input can be an interrupt or NMI source
 - Input can also be active high or active low

- ◆ **SDRAM Controller**
 - 2 memory banks, non-interleaved, 512 MB total
 - 32-bit wide data path
 - Supports 4-bit, 8-bit, and 16-bit wide SDRAM chips
 - SODIMM support
 - Stays on page between transfers
 - Automatic refresh generation
- ◆ **Peripheral Device Controller**
 - 26-bit address bus
 - 32-bit data bus with variable width support of 8-, 16-, or 32-bits
 - 8-bit boot ROM support
 - 6 banks available, up to 64MB per bank
 - Supports Flash ROM, PROM, SRAM, dual-port memory, and peripheral devices
 - Supports external wait-state generation, Intel or Motorola style
 - Write protect capability
 - Direct control of optional external data transceivers
- ◆ **System Integrity**
 - Programmable system watchdog timer resets system on time-out
 - Programmable bus transaction times memory and peripheral transactions and generates a warm reset on time-out
- ◆ **DMA**
 - 16 DMA channels
 - Services on-chip and external peripherals
 - Supports memory-to-memory, memory-to-I/O, and I/O-to-I/O transfers
 - Supports flexible descriptor based operation and chaining via linked lists of records (scatter / gather capability)
 - Supports unaligned transfers
 - Supports burst transfers

Block Diagram

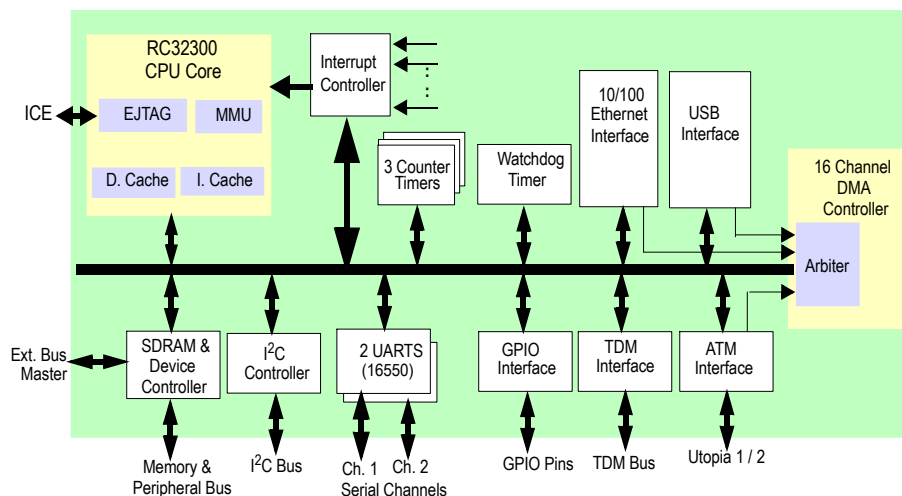


Figure 1 RC32355 Internal Block Diagram

◆ **USB**

- Revision 1.1 compliant
- USB slave device controller
- Supports a 6th USB endpoint
- Full speed operation at 12 Mb/s
- Supports control, interrupt, bulk and isochronous endpoints
- Supports USB remote wakeup
- Integrated USB transceiver

◆ **TDM**

- Serial Time Division Multiplexed (TDM) voice and data interface
- Provides interface to telephone CODECs and DSPs
- Interface to high quality audio A/Ds and D/As with external glue logic
- Support 1 to 128 8-bit time slots
- Compatible with Lucent CHI, GCI, Mitel ST-bus, K2 and SLD busses
- Supports data rates of up to 8.192 Mb/s
- Supports internal or external frame generation
- Supports multiple non-contiguous active input and output time slots

◆ **EJTAG**

- Run-time Mode provides a standard JTAG interface
- Real-Time Mode provides additional pins for real-time trace information

◆ **Ethernet**

- Full duplex support for 10 and 100 Mb/s Ethernet
- IEEE 802.3u compatible Media Independent Interface (MII) with serial management interface
- IEEE 802.3u auto-negotiation for automatic speed selection
- Flexible address filtering modes
- 64-entry hash table based multicast address filtering

◆ **ATM SAR**

- Can be configured as one UTOPIA level 1 interface or 1 UTOPIA level 2 interface with 2 address lines (3 PHYs max)
- Supports 25Mb/s and faster ATM
- Supports UTOPIA data path interface operation at speeds up to 33 MHz
- Supports standard 53-byte ATM cells
- Performs HEC generation and checking
- Cell processing discards short cells and clips long cells
- 16 cells worth of buffering
- UTOPIA modes: 8 cell input buffer and 8 cell output buffer
- Hardware support for CRC-32 generation and checking for AAL5
- Hardware support for CRC-10 generation and checking
- Virtual caching receive mechanism supports reception of any length packet without CPU intervention on up to eight simultaneously active receive channels
- Frame Mode transmit mechanism supports transmission of any length packet without CPU intervention

◆ **System Features**

- JTAG Interface (IEEE Std. 1149.1 compatible)
- 208 pin PQFP package
- 2.5V core supply and 3.3V I/O supply
- Up to 180 MHz pipeline frequency and up to 75 MHz bus frequency

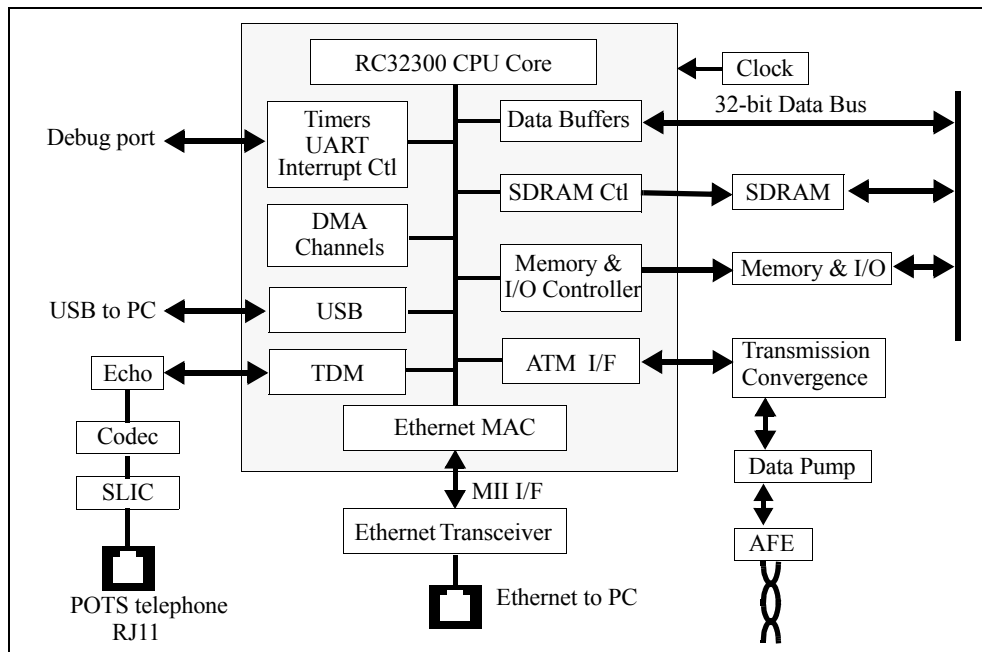


Figure 2 Example of xDSL Residential Gateway Using RC32355

Device Overview

The RC32355 is a "System on a Chip" which contains a high performance 32-bit microprocessor. The microprocessor core is used extensively at the heart of the device to implement the most needed functionalities in software with minimal hardware support. The high performance microprocessor handles diverse general computing tasks and specific application tasks that would have required dedicated hardware. Specific application tasks implemented in software can include routing functions, fire wall functions, modem emulation, ATM SAR emulation, and others.

The RC32355 meets the requirements of various embedded communications and digital consumer applications. It is a single chip solution that incorporates most of the generic system functionalities and application specific interfaces that enable rapid time to market, very low cost systems, simplified designs, and reduced board real estate.

CPU Execution Core

The RC32355 is built around the RC32300 32-bit high performance microprocessor core. The RC32300 implements the enhanced MIPS-II ISA and helps meet the real-time goals and maximize throughput of communications and consumer systems by providing capabilities such as a prefetch instruction, multiple DSP instructions, and cache locking. The DSP instructions enable the RC32300 to implement 33.6 and 56kbps modem functionality in software, removing the need for external dedicated hardware. Cache locking guarantees real-time performance by holding critical DSP code and parameters in the cache for immediate availability. The microprocessor also implements an on-chip MMU with a TLB, making it fully compliant with the requirements of real time operating systems.

Memory and I/O Controller

The RC32355 incorporates a flexible memory and peripheral device controller providing support for SDRAM, Flash ROM, SRAM, dual-port memory, and other I/O devices. It can interface directly to 8-bit boot ROM for a very low cost system implementation. It enables access to very high bandwidth external memory (380 MB/sec peak) at very low system costs. It also offers various trade-offs in cost / performance for the main memory architecture. The timers implemented on the RC32355 satisfy the requirements of most RTOS.

DMA Controller

The DMA controller off-loads the CPU core from moving data among the on-chip interfaces, external peripherals, and memory. The DMA controller supports scatter / gather DMA with no alignment restrictions, appropriate for communications and graphics systems.

TDM Bus Interface

The RC32355 incorporates an industry standard TDM bus interface to directly access external devices such as telephone CODECs and quality audio A/Ds and D/As. This feature is critical for applications, such as cable modems and xDSL modems, that need to carry voice along with data to support Voice Over IP capability.

Ethernet Interface

The RC32355 contains an on-chip Ethernet MAC capable of 10 and 100 Mbps line interface with an MII interface. It supports up to 4 MAC addresses. In a SOHO router, the high performance RC32300 CPU core routes the data between the Ethernet and the ATM interface. In other applications, such as high speed modems, the Ethernet interface can be used to connect to the PC.

USB Device Interface

The RC32355 includes the industry standard USB device interface to enable consumer appliances to directly connect to the PC.

ATM SAR

The RC32355 includes a configurable ATM SAR that supports a UTOPIA level 1 or a UTOPIA level 2 interface. The ATM SAR is implemented as a hybrid between software and hardware. A hardware block provides the necessary low level blocks (like CRC generation and checking and cell buffering) while the software is used for higher level SARing functions. In xDSL modem applications, the UTOPIA port interfaces directly to an xDSL chip set. In SOHO routers or in a line card for a Layer 3 switch, it provides access to an ATM network.

Enhanced JTAG Interface for ICE

For low-cost In-Circuit Emulation (ICE), the RC32300 CPU core includes an Enhanced JTAG (EJTAG) interface. This interface consists of two operation modes: Run-Time Mode and Real-Time Mode.

The Run-Time Mode provides a standard JTAG interface for on-chip debugging, and the Real-Time Mode provides additional status pins—PCST[2:0]—which are used in conjunction with the JTAG pins for real-time trace information at the processor internal clock or any division of the pipeline clock.

Thermal Considerations

The RC32355 consumes less than 2.5 W peak power. It is guaranteed in a ambient temperature range of 0° to +70° C for commercial temperature devices and - 40° to +85° for industrial temperature devices.

Revision History

March 29, 2001: Initial publication.

September 24, 2001: Removed references to DPI interface.
Removed references to “edge-triggered interrupt input” for GPIO pins.
Changed 208-pin package designation from DP to DH.

October 10, 2001: Revised AC timing characteristics in Tables 5, 6, 7, 8, 10, 12, and 15. Revised values in Table 18, “DC Electrical Characteristics”; Table 20, “RC32355 Power Consumption”; and Figure 23, “Typical Power Usage.” Changed data sheet from Preliminary to Final.

October 23, 2001: Revised Figure 23, “Typical Power Usage.”

November 1, 2001: Added Input Voltage Undershoot parameter and a footnote to Table 21.

January 30, 2002: In Table 6, changed values from 1.5 to 1.2 for the following signals: MDATA Tdo1, MADDR Tdo2, CASN Tdo3, CKENP Tdo4, BDIRN Tdo5, BOEN Tdo6.

May 20, 2002: Changed values in Table 20, Power Consumption.

September 19, 2002: Added COLDRSTN Trise1 parameter to Table 5, Reset and System AC Timing Characteristics.

December 6, 2002: In Features section, changed UART speed from 115 Kb/s to 1.5 Mb/s.

December 17, 2002: Added V_{OH} parameter to Table 18, DC Electrical Characteristics.

January 27, 2004: Added 180MHz speed grade.

May 25, 2004: In Table 7, signals MIIRXCLK and MIITXCLK, the Min and Max values for 10 Mbps Thigh1/Tlow1 were changed to 140 and 260 respectively and the Min and Max values for 100 Mbps Thigh1/Tlow1 were changed to 14.0 and 26.0 respectively.

Pin Description Table

The following table lists the functions of the pins provided on the RC32355. Some of the functions listed may be multiplexed onto the same pin.

To define the active polarity of a signal, a suffix will be used. Signals ending with an “N” should be interpreted as being active, or asserted, when at a logic zero (low) level. All other signals (including clocks, buses and select lines) will be interpreted as being active, or asserted when at a logic one (high) level.

Note: The input pads of the RC32355 do not contain internal pull-ups or pull-downs. Unused inputs should be tied off to appropriate levels. This is especially critical for unused control signal inputs (such as BRN) which, if left floating, could adversely affect the RC32355's operation. Also, any input pin left floating can cause a slight increase in power consumption.

Name	Type	I/O Type	Description
System			
CLKP	I	Input	System Clock input. This is the system master clock input. The RISCore 32300 pipeline frequency is a multiple (x2, x3, or x4) of this clock frequency. All other logic runs at this frequency or less.
COLDRSTN	I	STI ¹	Cold Reset. The assertion of this signal low initiates a cold reset. This causes the RC32355 state to be initialized, boot configuration to be loaded, and the internal processor PLL to lock onto the system clock (CLKP).
RSTN	I/O	Low Drive with STI	Reset. This bidirectional signal is either driven low or tri-stated, an external pull-up is required to supply the high state. The RC32355 drives RSTN low during a reset (to inform the external system that a reset is taking place) and then tri-states it. The external system can drive RSTN low to initiate a warm reset, and then should tri-state it.
SYCLKP	O	High Drive	System clock output. This is a buffered and delayed version of the system clock input (CLKP). All SDRAM transactions are synchronous to this clock. This pin should be externally connected to the SDRAMs and to the RC32355 SDCLKINP pin (SDRAM clock input).
Memory and Peripheral Bus			
MADDR[25:0]	O	[21:0] High Drive [25:22] Low Drive with STI	Memory Address Bus. 26-bit address bus for memory and peripheral accesses. MADDR[20:17] are used for the SODIMM data mask enables if SODIMM mode is selected. MADDR[22] Primary function: General Purpose I/O, GPIOP[27]. MADDR[23] Primary function: General Purpose I/O, GPIOP[28]. MADDR[24] Primary function: General Purpose I/O, GPIOP[29]. MADDR[25] Primary function: General Purpose I/O, GPIOP[30].
MDATA[31:0]	I/O	High Drive	Memory Data Bus. 32-bit data bus for memory and peripheral accesses.
BDIRN	O	High Drive	External Buffer Direction. External transceiver direction control for the memory and peripheral data bus, MDATA[31:0]. It is asserted low during any read transaction, and remains high during write transactions.
BOEN[1:0]	O	High Drive	External Buffer Output Enable. These signals provide two output enable controls for external data bus transceivers on the memory and peripheral data bus, MDATA. BOEN[0] is asserted low during external device read transactions. BOEN[1] is asserted low during SDRAM read transactions.
BRN	I	STI	External Bus Request. This signal is asserted low by an external master device to request ownership of the memory and peripheral bus.
BGN	O	Low Drive	External Bus Grant. This signal is asserted low by RC32355 to indicate that RC32355 has relinquished ownership of the local memory and peripheral bus to an external master.
WAITACKN	I	STI	Wait or Transfer Acknowledge. When configured as wait, this signal is asserted low during a memory and peripheral device bus transaction to extend the bus cycle. When configured as transfer acknowledge, this signal is asserted low during a memory and peripheral device bus transaction to signal the completion of the transaction.
CSN[5:0]	O	[3:0] High Drive [5:4] Low Drive	Device Chip Select. These signals are used to select an external device on the memory and peripheral bus during device transactions. Each bit is asserted low during an access to the selected external device. CSN[4] Primary function: General purpose I/O, GPIOP[16]. CSN[5] Primary function: General purpose I/O, GPIOP[17].

Table 1 Pin Descriptions (Part 1 of 8)

Name	Type	I/O Type	Description
RWN	O	High Drive	Read or Write. This signal indicates if the transaction on the memory and peripheral bus is a read transaction or a write transaction. A high level indicates a read from an external device, a low level indicates a write to an external device.
OEN	O	High Drive	Output Enable. This signal is asserted low when data should be driven by an external device during device read transactions on the memory and peripheral bus.
BWEN[3:0]	O	High Drive	SDRAM Byte Enable Mask or Memory and I/O Byte Write Enables. These signals are used as data input/output masks during SDRAM transactions and as byte write enable signals during device controller transactions on the memory and peripheral bus. They are active low. BWEN[0] corresponds to byte lane MDATA[7:0]. BWEN[1] corresponds to byte lane MDATA[15:8]. BWEN[2] corresponds to byte lane MDATA[23:16]. BWEN[3] corresponds to byte lane MDATA[31:24].
SDCSN[1:0]	O	High Drive	SDRAM Chip Select. These signals are used to select the SDRAM device on the memory and peripheral bus. Each bit is asserted low during an access to the selected SDRAM.
RASN	O	High Drive	SDRAM Row Address Strobe. The row address strobe asserted low during memory and peripheral bus SDRAM transactions.
CASN	O	High Drive	SDRAM Column Address Strobe. The column address strobe asserted low during memory and peripheral bus SDRAM transactions.
SDWEN	O	High Drive	SDRAM Write Enable. Asserted low during memory and peripheral bus SDRAM write transactions.
CKENP	O	Low Drive	SDRAM Clock Enable. Asserted high during active SDRAM clock cycles. Primary function: General Purpose I/O, GPIO[21].
SDCLKINP	I	STI	SDRAM Clock Input. This clock input is a delayed version of SYSCLKP. SDRAM read data is sampled into the RC32355 on the rising edge of this clock.

ATM Interface

ATMINP[11:0]	I	STI	ATM PHY Inputs. These pins are the inputs for the ATM interface.
ATMIOP[1:0]	I/O	Low Drive with STI	ATM PHY Bidirectional Signals. These pins are the bidirectional pins for the ATM interface.
ATMOUTP[9:0]	O	Low Drive	ATM PHY Outputs. These pins are the outputs for the ATM interface.
TXADDR[1:0]	O	Low Drive	ATM Transmit Address [1:0]. 2-bit address bus used for transmission in Utopia-2 mode. TXADDR[0] Primary function: General purpose I/O, GPIO[22]. TXADDR[1] Primary function: General purpose I/O, GPIO[23].
RXADDR[1:0]	O	Low Drive	ATM Receive Address [1:0]. 2-bit address bus for receiving in Utopia-2 mode. RXADDR[0] Primary function: General purpose I/O, GPIO[24]. RXADDR[1] Primary function: General purpose I/O, GPIO[25].

TDM Bus

TDMDOP	O	High Drive	TDM Serial Data Output. Serial data is driven by the RC32355 on this signal during an active output time slot. During inactive time slots this signal is tri-stated. Primary function: General purpose I/O, GPIO[32].
TDMDIP	I	STI	TDM Serial Data Input. Serial data is received by the RC32355 on this signal during active input time slots. Primary function: General purpose I/O, GPIO[33].
TDMFP	I/O	High Drive	TDM Frame Signal. A transition on this signal, the active polarity of which is programmable, delineates the start of a new TDM bus frame. TDMFP is driven if the RC32355 is a master, and is received if it is a slave. Primary function: General purpose I/O, GPIO[34].
TDMCLKP	I	STI	TDM Clock. This input clock controls the rate at which data is sent and received on the TDM bus. Primary function: General purpose I/O, GPIO[35].

Table 1 Pin Descriptions (Part 2 of 8)

Name	Type	I/O Type	Description
TDMTEN	O	Low Drive	TDM External Buffer Enable. This signal controls an external tri-state buffer output enable connected to the TDM output data, TDMDOP. It is asserted low when the RC32355 is driving data on TDMDOP. Primary function: General Purpose I/O, GPIOP[26]

General Purpose Input/Output

GPIOP[0]	I/O	Low Drive with STI	General Purpose I/O. This pin can be configured as a general purpose I/O pin. Alternate function: UART channel 0 serial output, U0SOUTP.
GPIOP[1]	I/O	Low Drive with STI	General Purpose I/O. This pin can be configured as a general purpose I/O pin. Alternate function: UART channel 0 serial input, U0SINP.
GPIOP[2]	I/O	Low Drive with STI	General Purpose I/O. This pin can be configured as a general purpose I/O pin. 1st Alternate function: UART channel 0 ring indicator, U0RIN. 2nd Alternate function: JTAG boundary scan tap controller reset, JTAG_TRST_N.
GPIOP[3]	I/O	Low Drive with STI	General Purpose I/O. This pin can be configured as a general purpose I/O pin. Alternate function: UART channel 0 data carrier detect, U0DCRN.
GPIOP[4]	I/O	Low Drive with STI	General Purpose I/O. This pin can be configured as a general purpose I/O pin. 1st Alternate function: UART channel 0 data terminal ready, U0DTRN. 2nd Alternate function: CPU or DMA transaction indicator, CPUP.
GPIOP[5]	I/O	Low Drive with STI	General Purpose I/O. This pin can be configured as a general purpose I/O pin. Alternate function: UART channel 0 data set ready, U0DSRN.
GPIOP[6]	I/O	Low Drive with STI	General Purpose I/O. This pin can be configured as a general purpose I/O pin. Alternate function: UART channel 0 request to send, U0RTSN.
GPIOP[7]	I/O	Low Drive with STI	General Purpose I/O. This pin can be configured as a general purpose I/O pin. Alternate function: UART channel 0 clear to send, U0CTSIN.
GPIOP[8]	I/O	Low Drive with STI	General Purpose I/O. This pin can be configured as a general purpose I/O pin. 1st Alternate function: UART channel 1 serial output, U1SOUTP. 2nd Alternate function: Active DMA channel code, DMAP[3].
GPIOP[9]	I/O	Low Drive with STI	General Purpose I/O. This pin can be configured as a general purpose I/O pin. 1st Alternate function: UART channel 1 serial input, U1SINP. 2nd Alternate function: Active DMA channel code, DMAP[2].
GPIOP[10]	I/O	Low Drive with STI	General Purpose I/O. This pin can be configured as a general purpose I/O pin. 1st Alternate function: UART channel 1 data terminal ready, U1DTRN. 2nd Alternate function: ICE PC trace status, EJTAG_PCST[0].
GPIOP[11]	I/O	Low Drive with STI	General Purpose I/O. This pin can be configured as a general purpose I/O pin. 1st Alternate function: UART channel 1 data set ready, U1DSRN. 2nd Alternate function: ICE PC trace status, EJTAG_PCST[1].
GPIOP[12]	I/O	Low Drive with STI	General Purpose I/O. This pin can be configured as a general purpose I/O pin. 1st Alternate function: UART channel 1 request to send, U1RTSN. 2nd Alternate function: ICE PC trace status, EJTAG_PCST[2].
GPIOP[13]	I/O	Low Drive with STI	General Purpose I/O. This pin can be configured as a general purpose I/O pin. 1st Alternate function: UART channel 1 clear to send, U1CTSIN. 2nd Alternate function: ICE PC trace clock, EJTAG_DCLK.
GPIOP[14]	I/O	Low Drive with STI	General Purpose I/O. This pin can be configured as a general purpose I/O pin. Alternate function: I ² C interface data, SDAP.
GPIOP[15]	I/O	Low Drive with STI	General Purpose I/O. This pin can be configured as a general purpose I/O pin. Alternate function: I ² C interface clock, SCLP.
GPIOP[16]	I/O	High Drive	General Purpose I/O. This pin can be configured as a general purpose I/O pin. Alternate function: Memory and peripheral bus chip select, CSN[4].

Table 1 Pin Descriptions (Part 3 of 8)

Name	Type	I/O Type	Description
GPIOP[17]	I/O	High Drive	General Purpose I/O. This pin can be configured as a general purpose I/O pin. Alternate function: Memory and peripheral bus chip select, CSN[5].
GPIOP[18]	I/O	Low Drive with STI	General Purpose I/O. This pin can be configured as a general purpose I/O pin. Alternate function: External DMA device request, DMAREQN.
GPIOP[19]	I/O	Low Drive with STI	General Purpose I/O. This pin can be configured as a general purpose I/O pin. Alternate function: External DMA device done, DMADONEN.
GPIOP[20]	I/O	Low Drive with STI	General Purpose I/O. This pin can be configured as a general purpose I/O pin. Alternate function: USB start of frame, USBSOF.
GPIOP[21]	I/O	Low Drive with STI	General Purpose I/O. This pin can be configured as a general purpose I/O pin. Alternate function: SDRAM clock enable CKENP.
GPIOP[22]	I/O	Low Drive with STI	General Purpose I/O. This pin can be configured as a general purpose I/O pin. Alternate function: ATM transmit PHY address, TXADDR[0].
GPIOP[23]	I/O	Low Drive with STI	General Purpose I/O. This pin can be configured as a general purpose I/O pin. 1st Alternate function: ATM transmit PHY address, TXADDR[1]. 2nd Alternate function: Active DMA channel code, DMAP[0].
GPIOP[24]	I/O	Low Drive with STI	General Purpose I/O. This pin can be configured as a general purpose I/O pin. Alternate function: ATM receive PHY address, RXADDR[0].
GPIOP[25]	I/O	Low Drive with STI	General Purpose I/O. This pin can be configured as a general purpose I/O pin. 1st Alternate function: ATM receive PHY address, RXADDR[1]. 2nd Alternate function: Active DMA channel code, DMAP[1].
GPIOP[26]	I/O	Low Drive with STI	General Purpose I/O. This pin can be configured as a general purpose I/O pin. Alternate function: TDM external buffer enable, TDMTEN.
GPIOP[27]	I/O	Low Drive with STI	General Purpose I/O. This pin can be configured as a general purpose I/O pin. Alternate function: Memory and peripheral bus address, MADDR[22].
GPIOP[28]	I/O	Low Drive with STI	General Purpose I/O. This pin can be configured as a general purpose I/O pin. Alternate function: Memory and peripheral bus address, MADDR[23].
GPIOP[29]	I/O	Low Drive with STI	General Purpose I/O. This pin can be configured as a general purpose I/O pin. Alternate function: Memory and peripheral bus address, MADDR[24].
GPIOP[30]	I/O	Low Drive with STI	General Purpose I/O. This pin can be configured as a general purpose I/O pin. Alternate function: Memory and peripheral bus address, MADDR[25].
GPIOP[31]	I/O	Low Drive with STI	General Purpose I/O. This pin can be configured as a general purpose I/O pin. 1ST Alternate function: DMA finished, DMAFIN. 2nd Alternate function: EJTAG/ICE reset, EJTAG_TRST_N.
GPIOP[32]	I/O	High Drive	General Purpose I/O. This pin can be configured as a general purpose I/O pin. Alternate function: TDM interface data output, TDMDOP. At reset, this pin defaults to the primary function, GPIOP[32].
GPIOP[33]	I/O	Low Drive with STI	General Purpose I/O. This pin can be configured as a general purpose I/O pin. Alternate function: TDM interface data input, TDMDIP. At reset, this pin defaults to the primary function, GPIOP[33].
GPIOP[34]	I/O	High Drive	General Purpose I/O. This pin can be configured as a general purpose I/O pin. Alternate function: TDM interface frame signal, TDMFP. At reset, this pin defaults to the primary function, GPIOP[34].
GPIOP[35]	I/O	Low Drive with STI	General Purpose I/O. This pin can be configured as a general purpose I/O pin. Alternate function: TDM interface clock, TDMCLKP. At reset, this pin defaults to the primary function, GPIOP[35].

DMA

DMAFIN	O	Low	External DMA finished. This signal is asserted low by the RC32355 when the number of bytes specified in the DMA descriptor have been transferred to or from an external device. Primary function: General Purpose I/O, GPIOP[31]. At reset, this pin defaults to primary function GPIOP[31]. 2nd Alternate function: EJTAG_TRST_N.
--------	---	-----	---

Table 1 Pin Descriptions (Part 4 of 8)

Name	Type	I/O Type	Description
DMAREQN	I	STI	External DMA Device Request. The external DMA device asserts this pin low to request DMA service. Primary function: General purpose I/O, GPIO[18]. At reset, this pin defaults to primary function GPIO[18].
DMADONEN	I	STI	External DMA Device Done. The external DMA device asserts this signal low to inform the RC32355 that it is done with the current DMA transaction. Primary function: General purpose I/O, GPIO[19]. At reset, this pin defaults to primary function GPIO[19].

USB

USBCLKP	I	STI	USB Clock. 48 MHz clock input used as time base for the USB interface.
USBDN	I/O	USB	USB D- Data Line. This is the negative differential USB data signal.
USBDP	I/O	USB	USB D+ Data Line. This is the positive differential USB data signal.
USBSOF	O	Low Drive	USB start of frame. Primary function: General Purpose I/O, GPIO[20]. At reset, this pin defaults to primary function GPIO[20].

Ethernet

MIICOLP	I	STI	MII Collision Detected. This signal is asserted by the ethernet PHY when a collision is detected.
MIICRSP	I	STI	MII Carrier Sense. This signal is asserted by the ethernet PHY when either the transmit or receive medium is not idle.
MIIMDCP	O	Low Drive	MII Management Data Clock. This signal is used as a timing reference for transmission of data on the management interface.
MIIMDIOP	I/O	Low Drive with STI	MII Management Data. This bidirectional signal is used to transfer data between the station management entity and the ethernet PHY.
MIIRXCLKP	I	STI	MII Receive Clock. This clock is a continuous clock that provides a timing reference for the reception of data.
MIIRXDP[3:0]	I	STI	MII Receive Data. This nibble wide data bus contains the data received by the ethernet PHY.
MIIRXDVP	I	STI	MII Receive Data Valid. The assertion of this signal indicates that valid receive data is in the MII receive data bus.
MIIRXERP	I	STI	MII Receive Error. The assertion of this signal indicates that an error was detected somewhere in the ethernet frame currently being sent in the MII receive data bus.
MIITXCLKP	I	STI	MII Transmit Clock. This clock is a continuous clock that provides a timing reference for the transfer of transmit data.
MIITXDP[3:0]	O	Low Drive	MII Transmit Data. This nibble wide data bus contains the data to be transmitted.
MIITXENP	O	Low Drive	MII Transmit Enable. The assertion of this signal indicates that data is present on the MII for transmission.
MIITXERP	O	Low Drive	MII Transmit Coding Error. When this signal is asserted together with MIITXENP, the ethernet PHY will transmit symbols which are not valid data or delimiters.

I²C

SCLP	I/O	Low Drive with STI	I²C Interface Clock. An external pull-up is required on SCLP, see the I ² C spec. ² Primary function: General purpose I/O, GPIO[15]. At reset, this pin defaults to primary function GPIO[15].
SDAP	I/O	Low Drive with STI	I²C Interface Data Pin. An external pull-up is required on SDAP, see the I ² C spec. ² Primary function: General purpose I/O, GPIO[14]. At reset, this pin defaults to primary function GPIO[14].

EJTAG

JTAG_TCK	I	STI	JTAG Clock. This is an input test clock, used to shift data into or out of the boundary scan logic. This signal requires an external resistor, listed in Table 16.
JTAG_TDI	I	STI	JTAG Data Input. This is the serial data shifted into the boundary scan logic. This signal requires an external resistor, listed in Table 16. This is also used to input EJTAG_DINTN during EJTAG/ICE mode. EJTAG_DINTN is an interrupt to switch the PC trace mode off.
JTAG_TDO	O	Low Drive	JTAG Data Output. This is the serial data shifted out from the boundary scan logic. When no data is being shifted out, this signal is tri-stated. This signal requires an external resistor, listed in Table 16. This is also used to output the EJTAG_TPC during EJTAG/ICE mode. EJTAG_TPC is the non-sequential program counter output.

Table 1 Pin Descriptions (Part 5 of 8)

Name	Type	I/O Type	Description
JTAG_TMS	I	STI	JTAG Mode Select. This input signal is decoded by the tap controller to control test operation. This signal requires an external resistor, listed in Table 16.
EJTAG_PCST[0]	O	Low Drive	PC trace status. This bus gives the PC trace status information during EJTAG/ICE mode. EJTAG/ICE enable is selected during reset using the boot configuration and overrides the selection of the Primary and Alternate functions. This signal requires an external resistor, listed in Table 16. Primary function: General Purpose I/O, GPIO[10]. 1st Alternate function: UART channel 1 data terminal ready, U1DTRN.
EJTAG_PCST[1]	O	Low Drive	PC trace status. This bus gives the PC trace status information during EJTAG/ICE mode. EJTAG/ICE enable is selected during reset using the boot configuration and overrides the selection of the Primary and Alternate functions. This signal requires an external resistor, listed in Table 16. Primary function: General Purpose I/O, GPIO[11]. At reset, this pin defaults to primary function GPIO[11]. 1st Alternate function: UART channel 1 data set ready, U1DSRN.
EJTAG_PCST[2]	O	Low Drive	PC trace status. This bus gives the PC trace status information during EJTAG/ICE mode. EJTAG/ICE enable is selected during reset using the boot configuration and overrides the selection of the Primary and Alternate functions. This signal requires an external resistor, listed in Table 16. Primary function: General Purpose I/O, GPIO[12]. 1st Alternate function: UART channel 1 request to send, U1RTSN.
EJTAG_DCLK	O	Low Drive	PC trace clock. This is used to capture address and data during EJTAG/ICE mode. EJTAG/ICE enable is selected during reset using the boot configuration and overrides the selection of the Primary and Alternate functions. This signal requires an external resistor, listed in Table 16. Primary function: General Purpose I/O, GPIO[13]. 1st Alternate function: UART channel 1 clear to send, U1CTSN.
EJTAG_TRST_N	I	STI	EJTAG Test Reset. EJTAG_TRST_N is an active-low signal for asynchronous reset of only the EJTAG/ICE controller. EJTAG_TRST_N requires an external pull-up on the board. EJTAG/ICE enable is selected during reset using the boot configuration and overrides the selection of the Primary and Alternate functions. This signal requires an external resistor, listed in Table 16. Primary: General Purpose I/O, GPIO[31] 1st Alternate function: DMA finished output, DMAFIN.
JTAG_TRST_N	I	STI	JTAG Test Reset. JTAG_TRST_N is an active-low signal for asynchronous reset of only the JTAG boundary scan controller. JTAG_TRST_N requires an external pull-down on the board that will hold the JTAG boundary scan controller in reset when not in use if selected. JTAG reset enable is selected during reset using the boot configuration and overrides the selection of the Primary and Alternate functions. Primary function: General Purpose I/O, GPIO[2]. 1st Alternate function: UART channel 0 ring indicator, U0RIN.

Debug

INSTP	O	Low Drive	Instruction or Data Indicator. This signal is driven high during CPU instruction fetches and low during CPU data transactions on the memory and peripheral bus.
CPUP	O	Low Drive	CPU or DMA Transaction Indicator. This signal is driven high during CPU transactions and low during DMA transactions on the memory and peripheral bus if CPU/DMA Transaction Indicator Enable is enabled. CPU/DMA Status mode enable is selected during reset using the boot configuration and overrides the selection of the Primary and Alternate functions. Primary function: General Purpose I/O, GPIO[4]. 1st Alternate function: UART channel 0 data terminal ready U0DTRN.
DMAP[0]	O	Low Drive	Active DMA channel code. DMA debug enable is selected during reset using the boot configuration and overrides the selection of the Primary and Alternate functions. Primary function: General Purpose I/O, GPIO[23]. 1st Alternate function: TXADDR[1].
DMAP[1]	O	Low Drive	Active DMA channel code. DMA debug enable is selected during reset using the boot configuration and overrides the selection of the Primary and Alternate functions. Primary function: General Purpose I/O, GPIO[25]. 1st Alternate function: RXADDR[1].

Table 1 Pin Descriptions (Part 6 of 8)

Name	Type	I/O Type	Description
DMAP[2]	O	Low Drive	Active DMA channel code. DMA debug enable is selected during reset using the boot configuration and overrides the selection of the Primary and Alternate functions. Primary function: General Purpose I/O, GPIOP[9]. 1st Alternate function: U1SINP.
DMAP[3]	O	Low Drive	Active DMA channel code. DMA debug enable is selected during reset using the boot configuration and overrides the selection of the Primary and Alternate functions. Primary function: General Purpose I/O, GPIOP[8]. 1st Alternate function: U1SOUTP.

UART

U0SOUTP	I	STI	UART channel 0 serial transmit. Primary function: General Purpose I/O, GPIOP[0]. At reset, this pin defaults to primary function GPIOP[0].
U0SINP	I	STI	UART channel 0 serial receive. Primary function: General Purpose I/O, GPIOP[1]. At reset, this pin defaults to primary function GPIOP[1].
U0RIN	I	STI	UART channel 0 ring indicator. Primary function: General Purpose I/O, GPIOP[2]. At reset, this pin defaults to primary function GPIOP[2] if JTAG reset enable is not selected during reset using the boot configuration. 2nd Alternate function: JTAG boundary scan reset, JTAG_TRST_N.
U0DCRN	I	STI	UART channel 0 data carrier detect. Primary function: General Purpose I/O, GPIOP[3]. At reset, this pin defaults to primary function GPIOP[3].
U0DTRN	O	Low Drive	UART channel 0 data terminal ready. Primary function: General Purpose I/O, GPIOP[4]. At reset, this pin defaults to primary function GPIOP[4] if CPU/DMA Status Mode enable is not selected during reset using the boot configuration. 2nd Alternate function: CPU or DMA transaction indicator, CPUP.
U0DSRN	I	STI	UART channel 0 data set ready. Primary function: General Purpose I/O, GPIOP[5]. At reset, this pin defaults to primary function GPIOP[5].
U0RTSN	O	Low Drive	UART channel 0 request to send. Primary function: General Purpose I/O, GPIOP[6]. At reset, this pin defaults to primary function GPIOP[6].
U0CTSN	I	STI	UART channel 0 clear to send. Primary function: General Purpose I/O, GPIOP[7]. At reset, this pin defaults to primary function GPIOP[7].
U0SOUTP	O	Low Drive	UART channel 1 serial transmit. Primary function: General Purpose I/O, GPIOP[8]. At reset, this pin defaults to primary function GPIOP[8] if DMA Debug enable is not selected during reset using the boot configuration. 2nd Alternate function: DMA channel, DMAP[3].
U1SINP	I	STI	UART channel 1 serial receive. Primary function: General Purpose I/O, GPIOP[9]. At reset, this pin defaults to primary function GPIOP[9] if DMA Debug enable is not selected during reset using the boot configuration. 2nd Alternate function: DMA channel, DMAP[2].
U1DTRN	O	Low Drive	UART channel 1 data terminal ready. Primary function: General Purpose I/O, GPIOP[10]. At reset, this pin defaults to primary function GPIOP[10] if ICE Interface enable is not selected during reset using the boot configuration. Alternate function: PC trace status bit 0, EJTAG_PCST[0].
U1DSRN	I	STI	UART channel 1 data set ready. Primary function: General Purpose I/O, GPIOP[11]. At reset, this pin defaults to primary function GPIOP[11] if ICE Interface enable is not selected during reset using the boot configuration. 2nd Alternate function: PC trace status bit 1, EJTAG_PCST[1].
U1RTSN	O	Low Drive	UART channel 1 request to send. Primary function: General Purpose I/O, GPIOP[12]. At reset, this pin defaults to primary function GPIOP[12] if ICE Interface enable is not selected during reset using the boot configuration. 2nd Alternate function: PC trace status bit 2, EJTAG_PCST[2].

Table 1 Pin Descriptions (Part 7 of 8)

Name	Type	I/O Type	Description
U1CTS ¹	I	STI	UART channel 1 clear to send. Primary function: General Purpose I/O, GPIOP[13]. At reset, this pin defaults to primary function GPIOP[13] if ICE Interface enable is not selected during reset using the boot configuration. 2nd Alternate function: PC trace clock, EJTAG_DCLK.

Table 1 Pin Descriptions (Part 8 of 8)

¹. Schmitt Trigger Input.

². I²C - Bus Specification by Philips Semiconductors.

Boot Configuration Vector

The boot configuration vector is read into the RC32355 during cold reset. The vector defines parameters in the RC32355 that are essential to operation when cold reset is complete.

The encoding of boot configuration vector is described in Table 2, and the vector input is illustrated in Figure 6.

Signal	Name/Description
MDATA[2:0]	Clock Multiplier. This field specifies the value by which the system clock (CLKP) is multiplied internally to generate the CPU pipeline clock. 0x0 - multiply by 2 0x1 - multiply by 3 0x2 - multiply by 4 0x3 - reserved 0x4 - reserved 0x5 - reserved 0x6 - reserved 0x7 - reserved
MDATA[3]	Endian. This bit specifies the endianness of RC32355. 0x0 - little endian 0x1 - big endian
MDATA[4]	Reserved. Must be set to 0.
MDATA[5]	Debug Boot Mode. When this bit is set, the RC32355 begins executing from address 0xFF20_0200 rather than 0xBFC0_0000 following a reset. 0x0 - regular mode (processor begins executing at 0xBFC0_0000) 0x1 - debug boot mode (processor begins executing at 0xFF20_0200)
MDATA[7:6]	Boot Device Width. This field specifies the width of the boot device. 0x0 - 8-bit boot device width 0x1 - 16-bit boot device width 0x2 - 32-bit boot device width 0x3 - reserved
MDATA[8]	EJTAG/ICE Interface Enable. When this bit is set, Alternate 2 pin functions EJTAG_PCST[2:0], EJTAG_DCLK, and EJTAG_TRST_N are selected. 0x0 - GPIOP[31, 13:10] pins behaves as GPIOP 0x1 - GPIOP[31] pin behaves as EJTAG_TRST_N, GPIOP[12:10] pins behave as EJTAG_PCST[2:0], and GPIOP[13] pin behaves as EJTAG_DCLK
MDATA[9]	Fast Reset. When this bit is set, RC32355 drives RSTN for 64 clock cycles, used during test only. Clear this bit for normal operation. 0x0 - Normal reset: RC32355 drives RSTN for minimum of 4096 clock cycles 0x1 - Fast Reset: RC32355 drives RSTN for 64 clock cycles (test only)
MDATA[10]	DMA Debug Enable. When this bit is set, Alternate 2 pin function, DMAP is selected. DMAP provides the DMA channel number during memory and peripheral bus DMA transactions. 0x0 - GPIOP[8, 9, 25, 23] pins behave as GPIOP 0x1 - GPIOP[8, 9, 25, 23] pins behave as DMAP[3:0]

Table 2 Boot Configuration Vector Encoding (Part 1 of 2)

Signal	Name/Description
MDATA[11]	Hold SYSCLKP Constant. For systems that do not require a SYSCLKP output and can instead use CLKP, setting this bit to a one causes the SYSCLKP output to be held at a constant level. This may be used to reduce EMI. 0x0 - Allow SYSCLKP to toggle 0x1 - Hold SYSCLKP constant
MDATA[12]	JTAG Boundary Scan Reset Enable. When this bit is set, Alternate 2 pin function, JTAG_TRST_N is selected. 0x0 - GPIO[2] pin behaves as GPIO 0x1 - GPIO[2] pin behaves as JTAG_TRST_N
MDATA[13]	CPU / DMA Transaction Indicator Enable. When this bit is set, Alternate 2 pin function, CPUP is selected. 0x0 - GPIO[4] pin behaves as GPIO 0x1 - GPIO[4] pin behaves as CPUP
MDATA[15:14]	Reserved. These pins must be driven low during boot configuration.

Table 2 Boot Configuration Vector Encoding (Part 2 of 2)

Logic Diagram

The following Logic Diagram shows the primary pin functions of the RC32355.

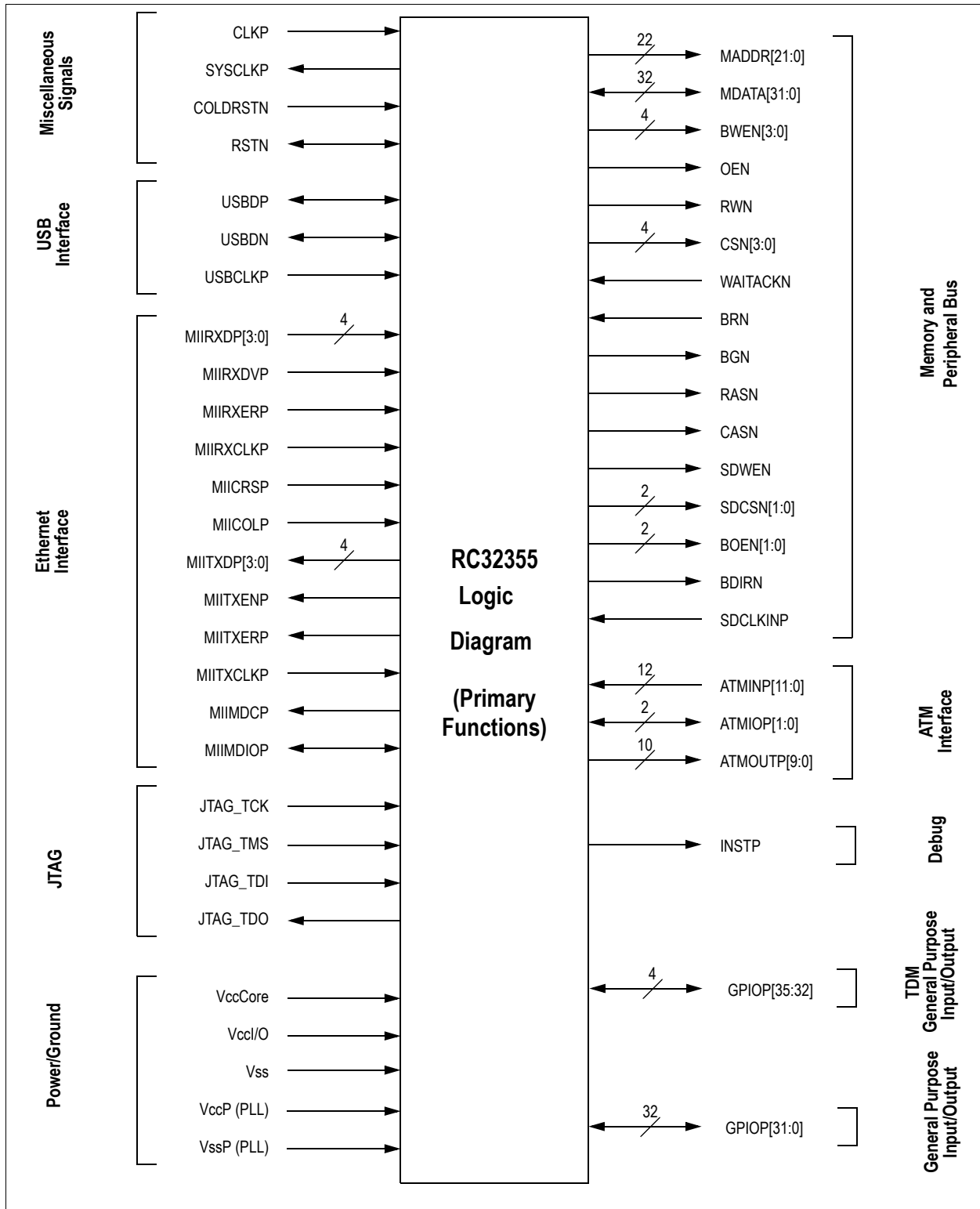


Figure 3 Logic Diagram

Clock Parameters

($T_a = 0^\circ\text{C}$ to $+70^\circ\text{C}$ Commercial, $T_a = -40^\circ\text{C}$ to $+85^\circ\text{C}$ Industrial, $V_{cc\ I/O} = +3.3\text{V}\pm 5\%$, $V_{cc\ Core}$ and $V_{cc\ P} = +2.5\text{V}\pm 5\%$)

Parameter	Symbol	Reference Edge	133MHz		150MHz		180MHz		Units	Timing Diagram Reference
			Min	Max	Min	Max	Min	Max		
Internal CPU pipeline clock ¹	Frequency	none	100	133	100	150	100	180	MHz	Figure 4
CLKP ^{2,3,4}	Frequency	none	25	67	25	75	25	90	MHz	
	Tperiod1		15	40	13.3	40	11.1	40	ns	
	Thigh1		6	—	5.4	—	5.4	—	ns	
	Tlow1		6	—	5.4	—	5.4	—	ns	
	Trise1		—	3	—	2.5	—	2.5	ns	
	Tfall1		—	3	—	2.5	—	2.5	ns	
	Tjitter		—	± 250	—	± 200	—	± 200	ps	

¹ The CPU pipeline clock speed is selected during cold reset by the boot configuration vector (see Table 2).

² Ethernet clock (MIIRXCLKP and MIITXCLKP) frequency must be equal to or less than 1/2 CLKP frequency.

³ USB clock (USBCLKP) frequency must be less than CLKP frequency.

⁴ ATM Utopia clock (RXCLKP and TXCLKP) frequency must be equal to or less than 1/2 CLKP frequency.

Table 3 Clock Parameters

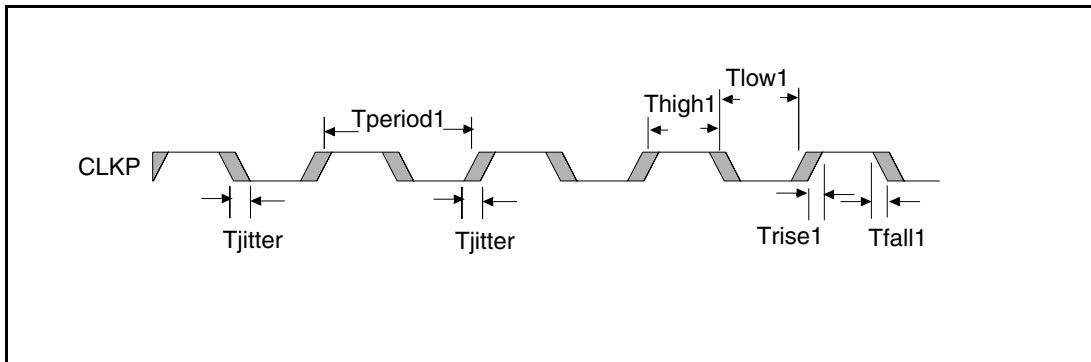


Figure 4 Clock Parameters Waveform

AC Timing Definitions

Below are examples of the AC timing characteristics used throughout this document.

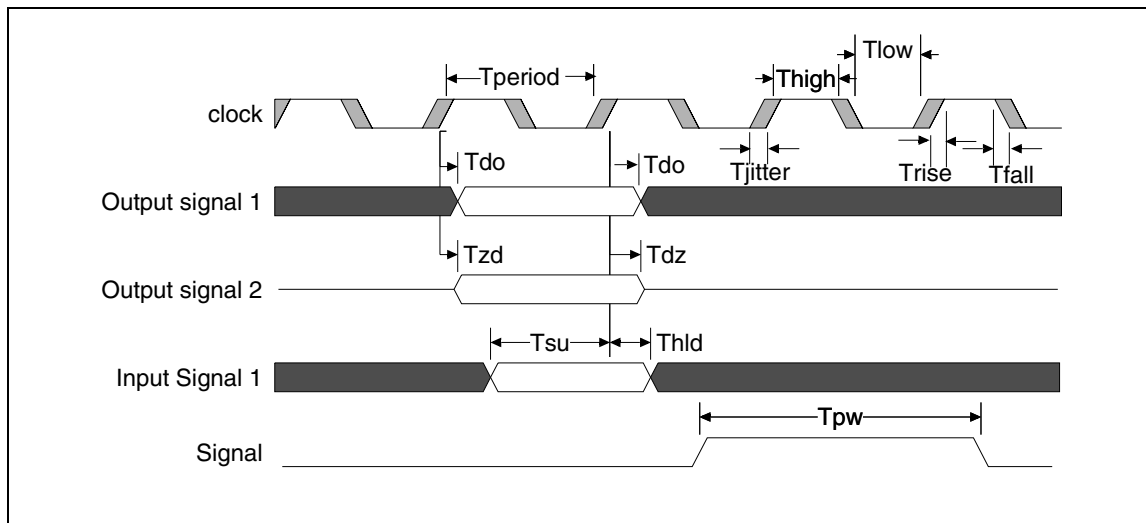


Figure 5 AC Timing Definitions Waveform

Symbol	Definition
Tperiod	Clock period.
Tlow	Clock low. Amount of time the clock is low in one clock period.
Thigh	Clock high. Amount of time the clock is high in one clock period.
Trise	Rise time. Low to high transition time.
Tfall	Fall time. High to low transition time.
Tjitter	Jitter. Amount of time the reference clock (or signal) edge can vary on either the rising or falling edges.
Tdo	Data out. Amount of time after the reference clock edge that the output will become valid. The minimum time represents the data output hold. The maximum time represents the earliest time the designer can use the data.
Tzd	Z state to data valid. Amount of time after the reference clock edge that the tri-stated output takes to become valid.
Tdz	Data valid to Z state. Amount of time after the reference clock edge that the valid output takes to become tri-stated.
Tsu	Input set-up. Amount of time before the reference clock edge that the input must be valid.
Thld	Input hold. Amount of time after the reference clock edge that the input must remain valid.
Tpw	Pulse width. Amount of time the input or output is active.

Table 4 AC Timing Definitions

AC Timing Characteristics

(Ta = 0°C to +70°C Commercial, Ta = -40°C to +85°C Industrial, Vcc I/O = +3.3V±5%, Vcc Core = +2.5V±5%, VccP = +2.5V±5%)

Signal	Symbol	Reference Edge	133MHz		150MHz		180MHz		Unit	Conditions	Timing Diagram Reference
			Min	Max	Min	Max	Min	Max			
Reset and System											
COLDRSTN	Tpw1	none	110	—	110	—	110	—	ms		Figure 6 Figure 7
	Trise1	none	—	5.0	—	5.0	—	5.0	ns		
RSTN ¹	Tdo2	CLKP rising	4.0	10.7	4.0	10.7	4.0	10.7	ns		
MDATA[15:0] Boot Configuration Vector	Thld3	COLDRSTN rising	3	—	3	—	3	—	ns		
INSTP	Tdo	CLKP rising	5.0	8.0	5.0	8.0	5.0	8.0	ns		
CPUP	Tdo	CLKP rising	3.5	7.0	3.5	7.0	3.5	7.0	ns		
DMAP	Tdo	CLKP rising	3.5	6.6	3.5	6.6	3.5	6.6	ns		
DMAREQN ²	Tpw	none	(CLKP+7)	—	(CLKP+7)	—	(CLKP+7)	—	ns		
DMADONEN ²	Tpw	none	(CLKP+7)	—	(CLKP+7)	—	(CLKP+7)	—	ns		
DMAFIN	Tdo	CLKP rising	3.5	5.9	3.5	5.9	3.5	5.9	ns		
BRN	Tsu	CLKP rising	1.6	—	1.6	—	1.6	—	ns		
	Thld		0	—	0	—	0	—	ns		
BGN	Tdo	CLKP rising	3.3	5.8	3.3	5.8	3.3	5.8	ns		
¹ RSTN is a bidirectional signal. It is treated as an asynchronous input. ² DMAREQN and DMADONEN minimum pulse width equals the CLKP period plus 7ns.											

Table 5 Reset and System AC Timing Characteristics

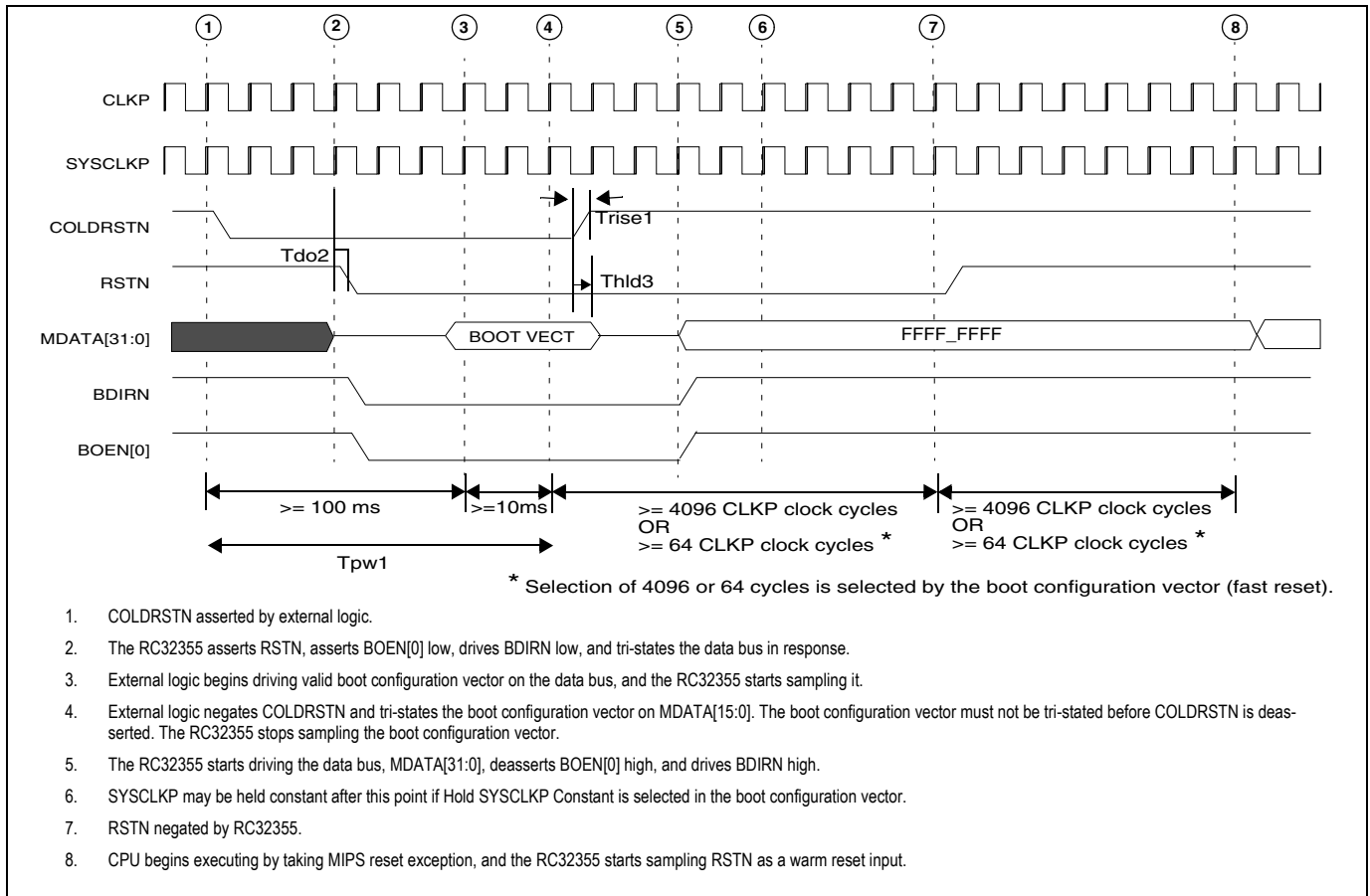


Figure 6 Cold Reset AC Timing Waveform

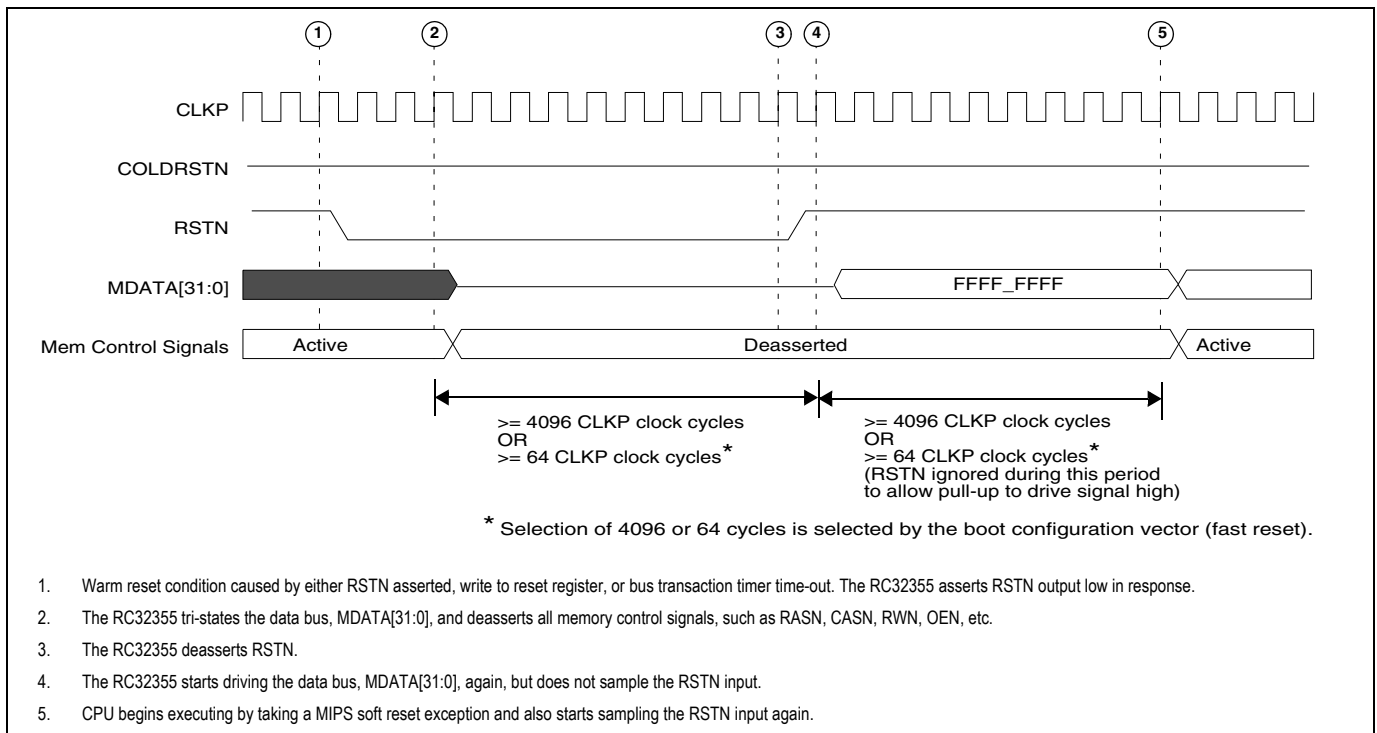


Figure 7 Warm Reset AC Timing Waveform

Signal	Symbol	Reference Edge	133MHz		150MHz		180MHz		Unit	Conditions	Timing Diagram Reference
			Min	Max	Min	Max	Min	Max			
Memory and Peripheral Bus - SDRAM Access											
MDATA[31:0]	Tsu1	SDCLKINP rising	2.5	—	2.5	—	2.5	—	ns		Figure 8 Figure 9 Figure 10
	Thld1		1.5	—	1.5	—	1.5	—	ns		
	Tdo1	SYSCLKP rising	1.2	5.8	1.2	5.8	1.2	5.8	ns		
	Tdz1		—	5.0	—	5.0	—	5.0	ns		
	Tzd1		1.0	—	1.0	—	1.0	—	ns		
MADDR[20:2], BWEN[3:0]	Tdo2	SYSCLKP rising	1.2	5.3	1.2	5.3	1.2	5.3	ns		
CASN, RASN, SDCSN[1:0], SDWEN	Tdo3	SYSCLKP rising	1.2	5.3	1.2	5.3	1.2	5.3	ns		
CKENP	Tdo4	SYSCLKP rising	1.2	5.3	1.2	5.3	1.2	5.3	ns		
BDIRN	Tdo5	SYSCLKP rising	1.2	5.3	1.2	5.3	1.2	5.3	ns		
BOEN[1:0]	Tdo6	SYSCLKP rising	1.2	5.3	1.2	5.3	1.2	5.3	ns		
SYSCLKP rising	Tdo7	CLKP rising	0.5	5.0	0.5	5.0	0.5	5.0	ns		
SDCLKINP	Tperiod8	none	15	50	13.3	50	13.3	50	ns		
	Thigh8, Tlow8		6.0	—	5.4	—	5.4	—	ns		
	Trise8, Tfall8		—	3.0	—	2.5	—	2.5	ns		
	Tdelay8	SYSCLKP rising	0	4.8	0	4.8	0	4.8	ns		

Table 6 Memory and Peripheral Bus AC Timing Characteristics (Part 1 of 2)

Signal	Symbol	Reference Edge	133MHz		150MHz		180MHz		Unit	Conditions	Timing Diagram Reference
			Min	Max	Min	Max	Min	Max			
Memory and Peripheral Bus - Device Access											
MDATA[31:0]	Tsu1	CLKP rising	2.5	—	2.5	—	2.5	—	ns		Figure 11 Figure 12
	Thld1		1.5	—	1.5	—	1.5	—	ns		
	Tdo1		2.0	6.5	2.0	6.5	2.0	6.5	ns		
	Tdz1		—	9.0	—	9.0	—	9.0	ns		
	Tzd1		2.0	—	2.0	—	2.0	—	ns		
WAITACKN, BRN	Tsu	CLKP rising	2.5	—	2.5	—	2.5	—	ns		
	Thld		1.5	—	1.5	—	1.5	—	ns		
MADDR[21:0]	Tdo2	CLKP rising	2.0	6.0	2.0	6.0	2.0	6.0	ns		
	Tdz2		—	9.0	—	9.0	—	9.0	ns		
	Tzd2		2.0	—	2.0	—	2.0	—	ns		
MADDR[25:22]	Tdo3	CLKP rising	2.5	6.5	2.5	6.5	2.5	6.5	ns		
	Tdz3		—	9.0	—	9.0	—	9.0	ns		
	Tzd3		2.0	—	2.0	—	2.0	—	ns		
BDIRN, BOEN[0]	Tdo4	CLKP rising	2.0	6.0	2.0	6.0	2.0	6.0	ns		
	Tdz4		—	9.0	—	9.0	—	9.0	ns		
	Tzd4		2.0	—	2.0	—	2.0	—	ns		
BGN, BWEN[3:0], OEN, RWN	Tdo5	CLKP rising	2.0	6.0	2.0	6.0	2.0	6.0	ns		
	Tdz5		—	9.0	—	9.0	—	9.0	ns		
	Tzd5		2.0	—	2.0	—	2.0	—	ns		
CSN[3:0]	Tdo6	CLKP rising	1.7	5.0	1.7	5.0	1.7	5.0	ns		
	Tdz6		—	9.0	—	9.0	—	9.0	ns		
	Tzd6		2.0	—	2.0	—	2.0	—	ns		
CSN[5:4]	Tdo7	CLKP rising	2.5	6.0	2.5	6.0	2.5	6.0	ns		
	Tdz7		—	9.0	—	9.0	—	9.0	ns		
	Tzd7		2.0	—	2.0	—	2.0	—	ns		

Table 6 Memory and Peripheral Bus AC Timing Characteristics (Part 2 of 2)

Note: The RC32355 provides bus turnaround cycles to prevent bus contention when going from a read to write, write to read, and during external bus ownership. For example, there are no cycles where an external device and the RC32355 are both driving. See the chapters “Device Controller,” “Synchronous DRAM Controller,” and “Bus Arbitration” in the RC32355 User Reference Manual.

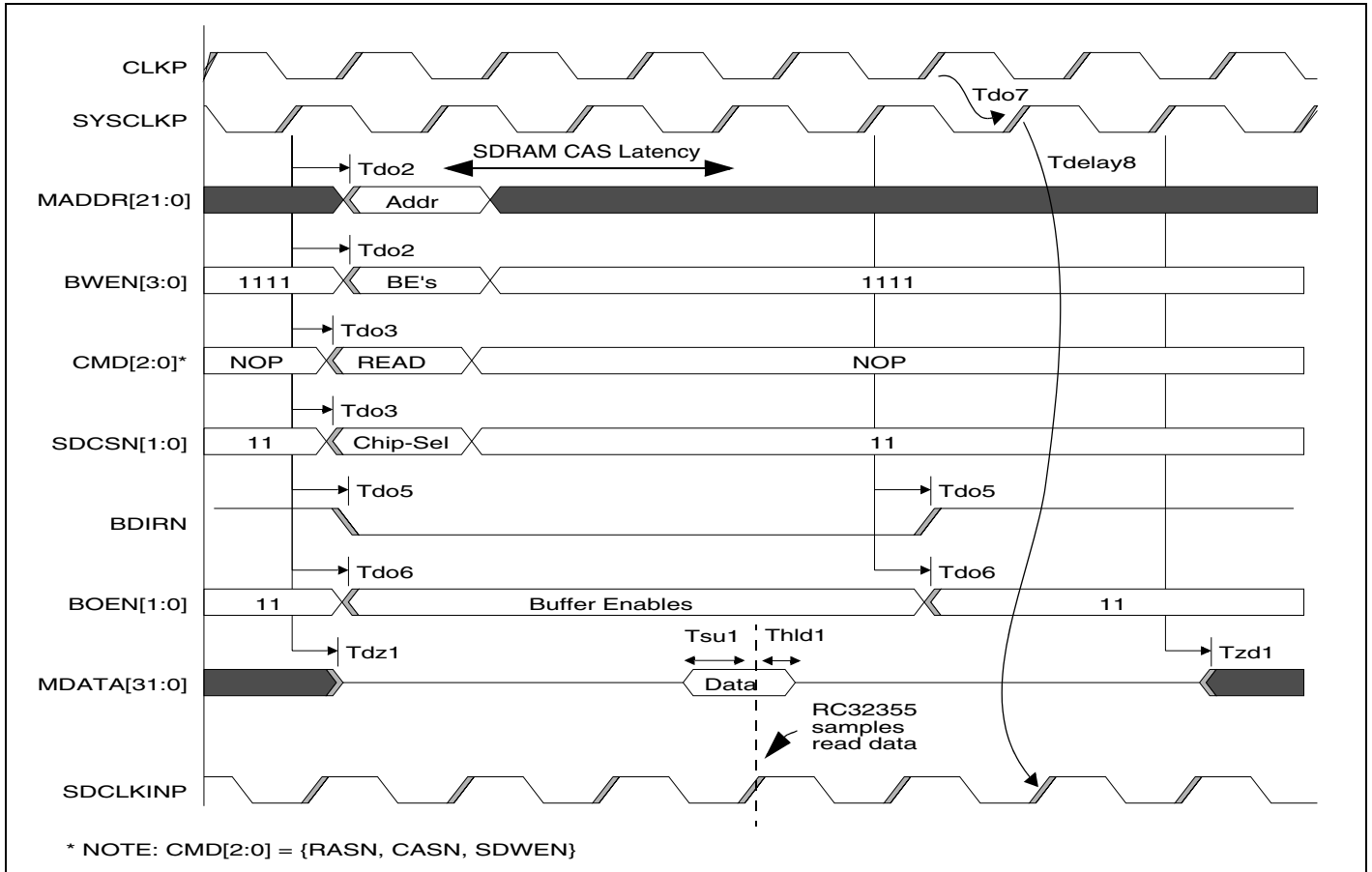


Figure 8 Memory and Peripheral Bus AC Timing Waveform - SDRAM Read Access

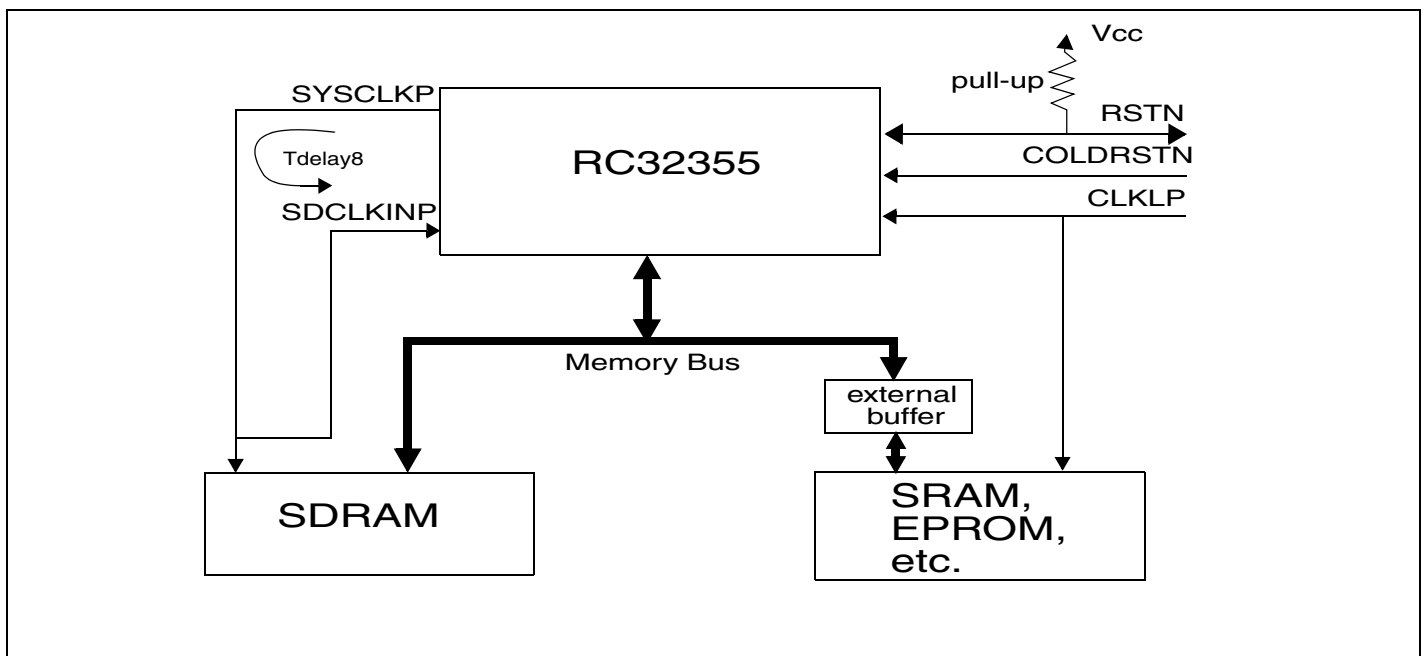


Figure 9 SYSCLKP - SDCLKINP Relationship

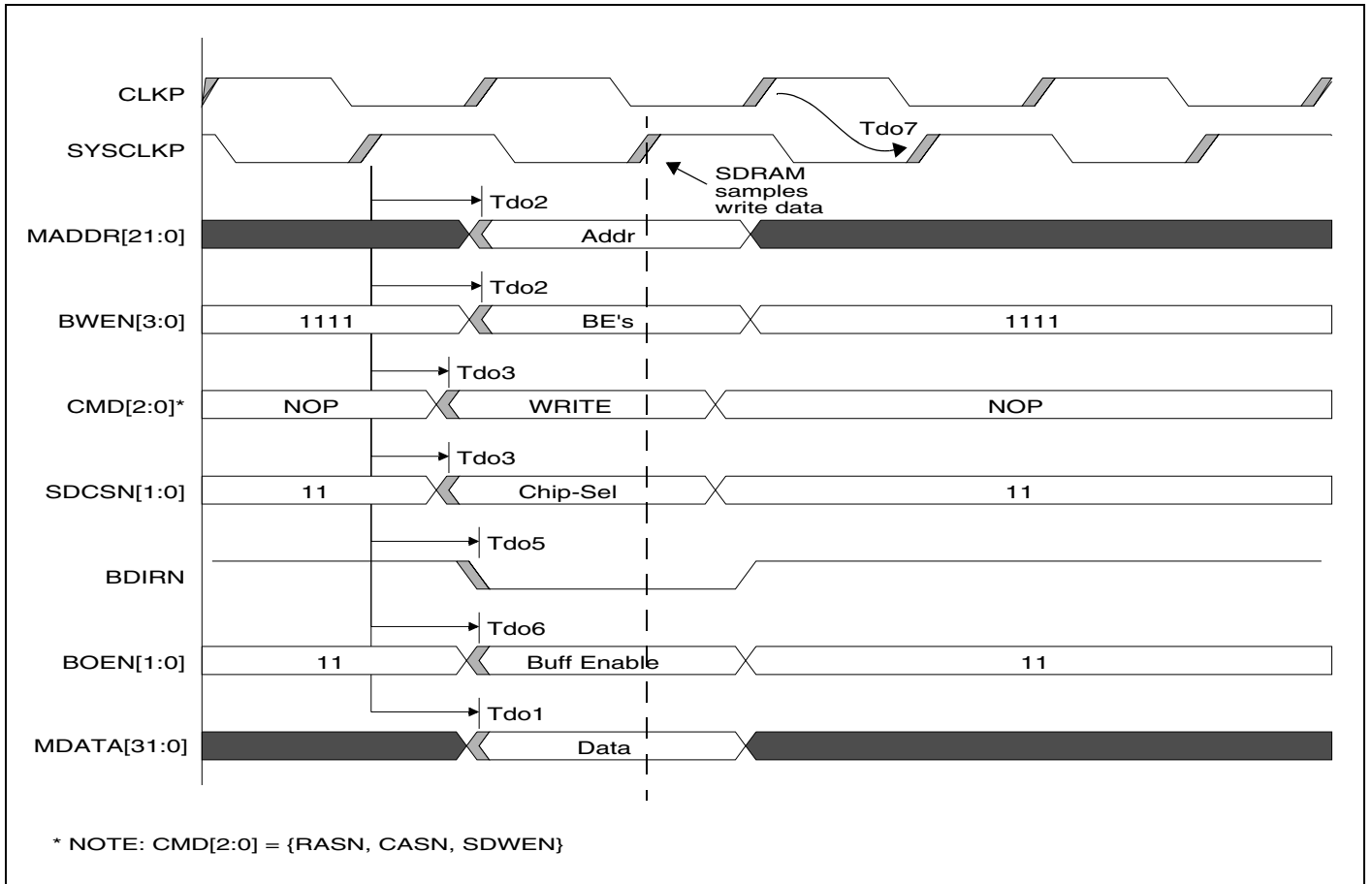


Figure 10 Memory and Peripheral Bus AC Timing Waveform - SDRAM Write Access

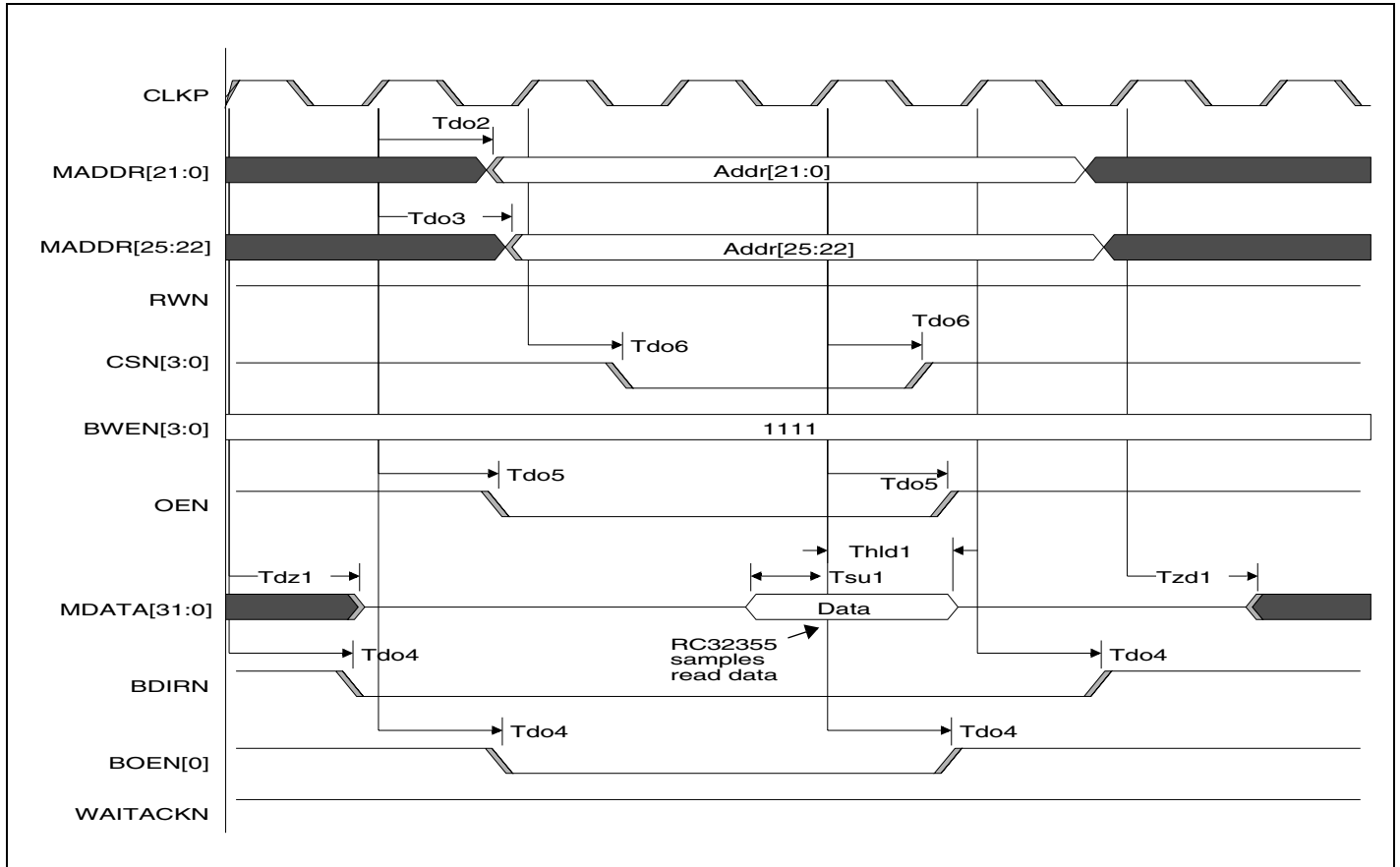


Figure 11 Memory and Peripheral Bus AC Timing Waveform - Device Read Access

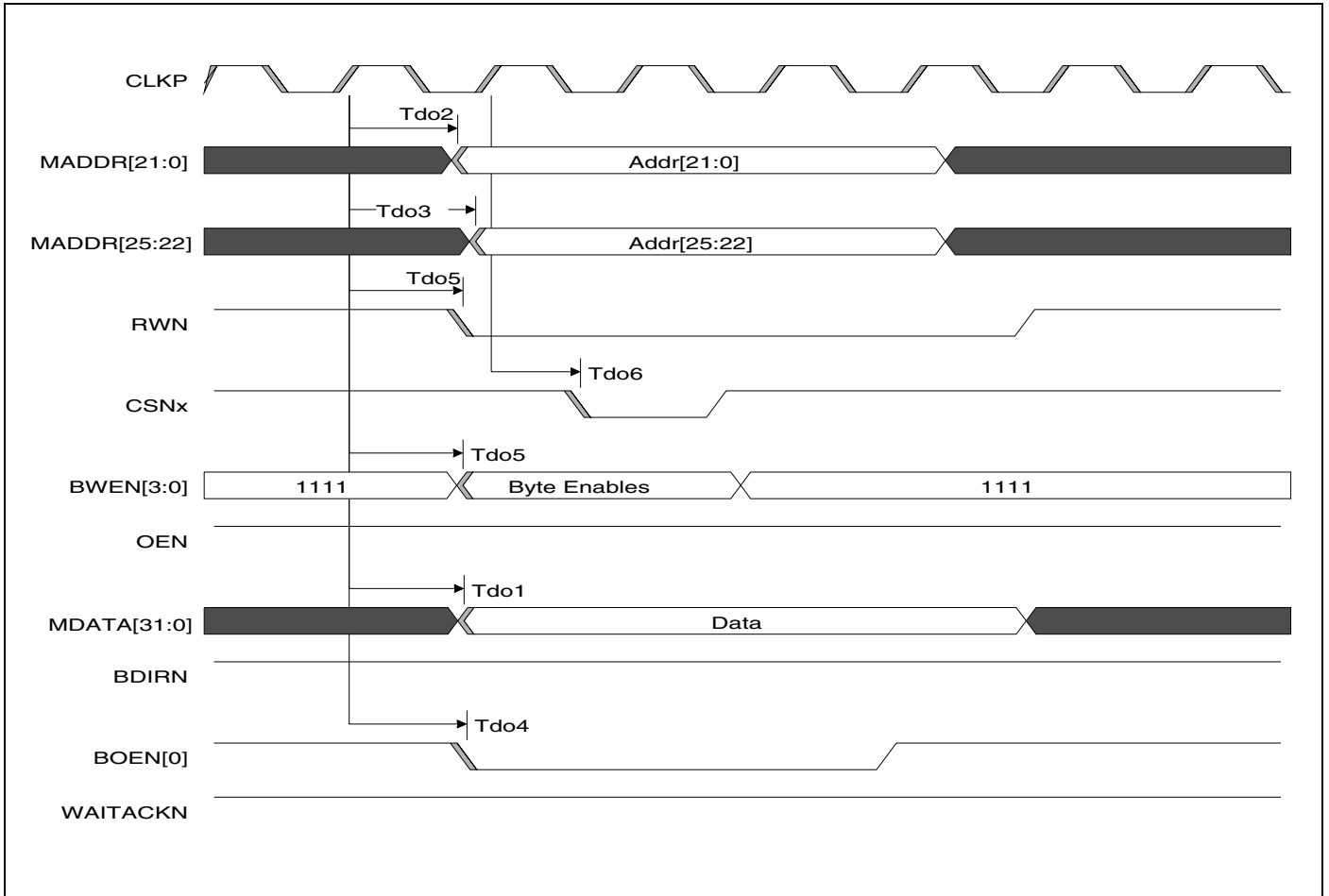


Figure 12 Memory AC and Peripheral Bus Timing Waveform - Device Write Access

Signal	Symbol	Reference Edge	133MHz		150MHz		180MHz		Unit	Conditions	Timing Diagram Reference
			Min	Max	Min	Max	Min	Max			
Ethernet ^{1,2}											
MIIRXCLKP, MIITXCLKP	Tperiod1	none	399.96	400.04	399.96	400.04	399.96	400.04	ns	10 Mbps	Figure 13
	Thigh1,Tlow1		140	260	140	260	140	260	ns		
	Trise1,Tfall1		—	3	—	3	—	3	ns		
MIIRXCLKP, MIITXCLKP	Tperiod1	none	39.996	40.004	39.996	40.004	39.996	40.004	ns	100 Mbps	
	Thigh1,Tlow1		14	26	14	26	14	26	ns		
	Trise1,Tfall1		—	2	—	2	—	2	ns		
MIIRXDP[3:0], MIIRXDVP, MIIRXERP	Tsu2	MIIRXCLKP rising	5	—	5	—	5	—	ns		
	Thld2		3	—	3	—	3	—	ns		
MIITXDP[3:0], MIITXENP, MIITXERP	Tdo3	MIITXCLKP rising	7	13	7	13	7	13	ns		
MIIMDCP	Tperiod4	none	30	—	27	—	27	—	ns		
	Thigh4,Tlow4		14	—	13	—	13	—	ns		
	Trise4		—	11	—	11	—	11	ns		
	Tfall4		—	8	—	8	—	8	ns		
MIIMDIOP	Tsu5	MIIMDCP rising	6	—	6	—	6	—	ns		
	Thld5		0.5	—	0.5	—	0.5	—	ns		
	Tdo5		3	7	3	7	3	7	ns		
¹ Ethernet clock (MIIRXCLKP and MIITXCLKP) frequency must be equal to or less than 1/2 CLKP frequency.											
² MIICOLP and MIICRSP are asynchronous signals.											

Table 7 Ethernet AC Timing Characteristics

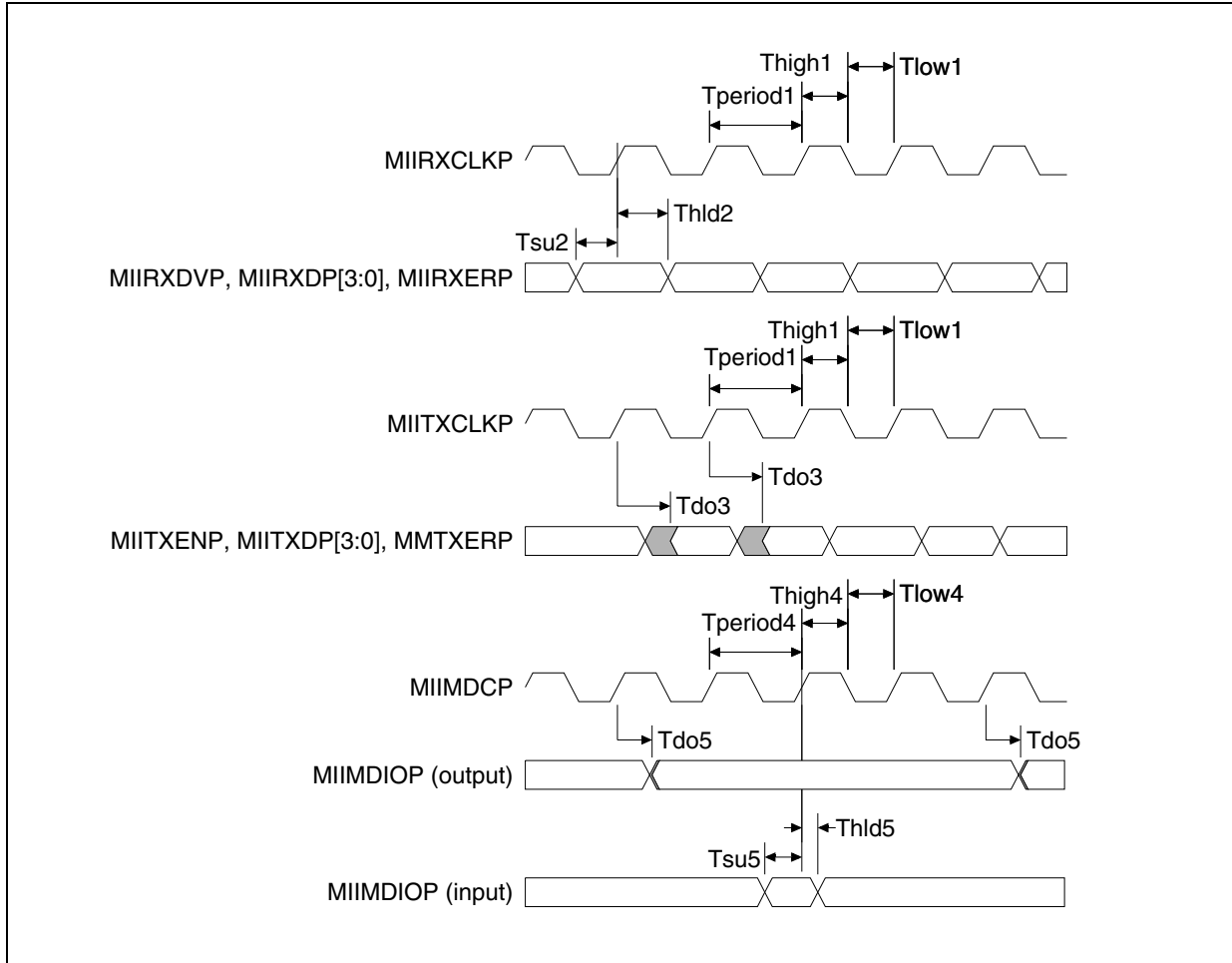


Figure 13 Ethernet AC Timing Waveform

Signal	Symbol	Reference Edge	133MHz		150MHz		180MHz		Unit	Conditions	Timing Diagram Reference
			Min	Max	Min	Max	Min	Max			
ATM Interface, Utopia Mode ^{1, 2}											
RXCLKP, TXCLKP ¹	Tperiod1	none	—	40	—	40	—	40	ns	25 MHz Utopia	Figure 14
	Thigh1, Tlow1		16	—	16	—	16	—	ns		
	Trise1, Tfall1		—	4	—	4	—	4	ns		
RXCLKP, TXCLKP ¹	Tperiod1	none	—	30	—	30	—	30	ns	33 MHz Utopia	
	Thigh1, Tlow1		12	—	12	—	12	—	ns		
	Trise1, Tfall1		—	3	—	3	—	3	ns		
RXCLKP, TXCLKP	Tperiod1	none	—	20	—	20	—	20	ns	50 MHz Utopia	
	Thigh, Tlow1		8	—	8	—	8	—	ns		
	Trise1, Tfall1		—	2	—	2	—	2	ns		
TXFULLN	Tsu2	TXCLKP rising	2	—	2	—	2	—	ns		
	Thld2		2	—	2	—	2	—	ns		
TXDATA[7:0], TXSOC, TXENBN, TXADDR[1:0]	Tdo3	TXCLKP rising	4	8	4	8	4	8	ns		
RXDATA[7:0], RXEMP-TYN, RXSOC	Tsu4	RXCLKP rising	3	—	3	—	3	—	ns		
	Thld4		2	—	2	—	2	—	ns		
RXADDR[1:0], RXENBN	Tdo5	RXCLKP rising	3	8	3	8	3	8	ns		

Table 8 ATM AC Timing Characteristics

¹. ATM Utopia clock (RXCLKP and TXCLKP) frequency must be equal to or less than 1/2 CLKP frequency.

². All Utopia Mode pins are multiplexed on the ATM interface pins as described in Table 9.

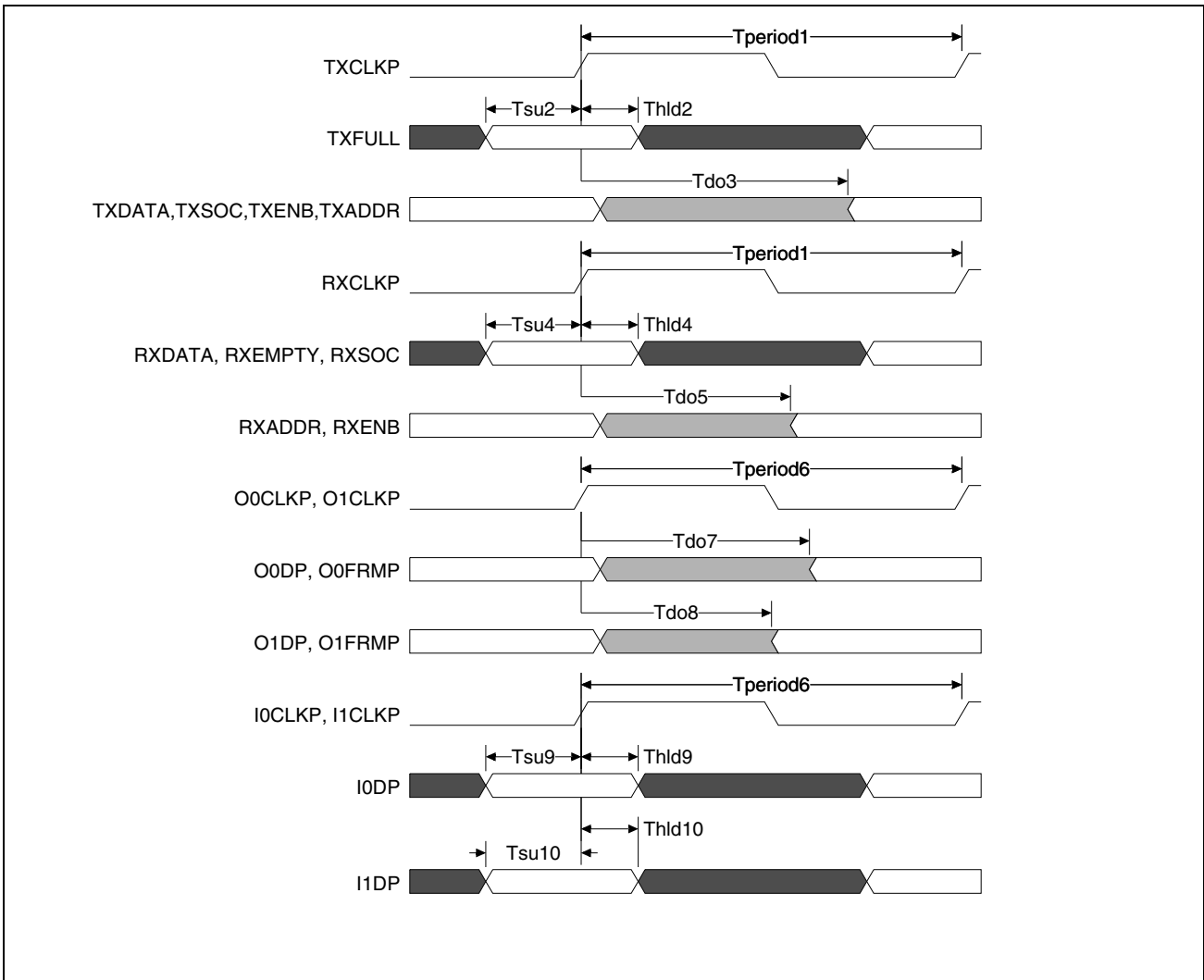


Figure 14 ATM AC Timing Waveform

ATM Pin Name	Utopia Level 1	Utopia Level 2
ATMINP[0]	RXDATA[0]	RXDATA[0]
ATMINP[1]	RXDATA[1]	RXDATA[1]
ATMINP[2]	RXDATA[2]	RXDATA[2]
ATMINP[3]	RXDATA[3]	RXDATA[3]
ATMINP[4]	RXDATA[4]	RXDATA[4]
ATMINP[5]	RXDATA[5]	RXDATA[5]
ATMINP[6]	RXDATA[6]	RXDATA[6]
ATMINP[7]	RXDATA[7]	RXDATA[7]
ATMINP[8]	RXCLKP	RXCLKP
ATMINP[9]	RXEMPTYN	RXEMPTYN
ATMINP[10]	RXSOC	RXSOC
ATMINP[11]	TXFULLN	TXFULLN
ATMIOP[0]	RXENBN	RXENBN
ATMIOP[1]	TXCLKP	TXCLKP
ATMOUTP[0]	TXDATA[0]	TXDATA[0]
ATMOUTP[1]	TXDATA[1]	TXDATA[1]
ATMOUTP[2]	TXDATA[2]	TXDATA[2]
ATMOUTP[3]	TXDATA[3]	TXDATA[3]
ATMOUTP[4]	TXDATA[4]	TXDATA[4]
ATMOUTP[5]	TXDATA[5]	TXDATA[5]
ATMOUTP[6]	TXDATA[6]	TXDATA[6]
ATMOUTP[7]	TXDATA[7]	TXDATA[7]
ATMOUTP[8]	TXSOC	TXSOC
ATMOUTP[9]	TXENBN	TXENBN
GPIOP[22]		TXADDR[0]
GPIOP[23]		TXADDR[1]
GPIOP[24]		RXADDR[0]
GPIOP[25]		RXADDR[1]

Table 9 ATM I/O Pin Multiplexing

Signal	Symbol	Reference Edge	133MHz		150MHz		180MHz		Unit	Conditions	Timing Diagram Reference
			Min	Max	Min	Max	Min	Max			
TDM											
TDMCLKP ¹	Tperiod1	none	—	125	—	62.5	—	62.5	ns		Figure 15 Figure 16
	Thigh1		62.5	—	31.2	—	31.2	—	ns		
	Tlow1		62.5	—	31.2	—	31.2	—	ns		
	Trise1		—	3	—	3	—	3	ns		
	Tfall1		—	3	—	3	—	3	ns		
TDMFP	Tsu2	TDMCLKP rising or falling	4	—	4	—	4	—	ns		
	Thld2		1	—	1	—	1	—	ns		
	Tdo2		2	9	2	9	2	9	ns		
TDMDIP	Tsu3	TDMCLKP rising or falling	4	—	4	—	4	—	ns		
	Thld3		1	—	1	—	1	—	ns		
TDMDOP	Tdo4	TDMCLKP rising or falling	2	9	2	9	2	9	ns		
	Tdz4		—	12	—	12	—	12	ns		
	Tzd4		3	—	3	—	3	—	ns		
TDMTEN	Tdo5	TDMCLKP rising or falling	2	9	2	9	2	9	ns		

¹The rising or falling edge of TDMCLKP is used as the reference clock edge for the timing depending on the TDM bus mode and protocol selection.

Table 10 TDM AC Timing Characteristics

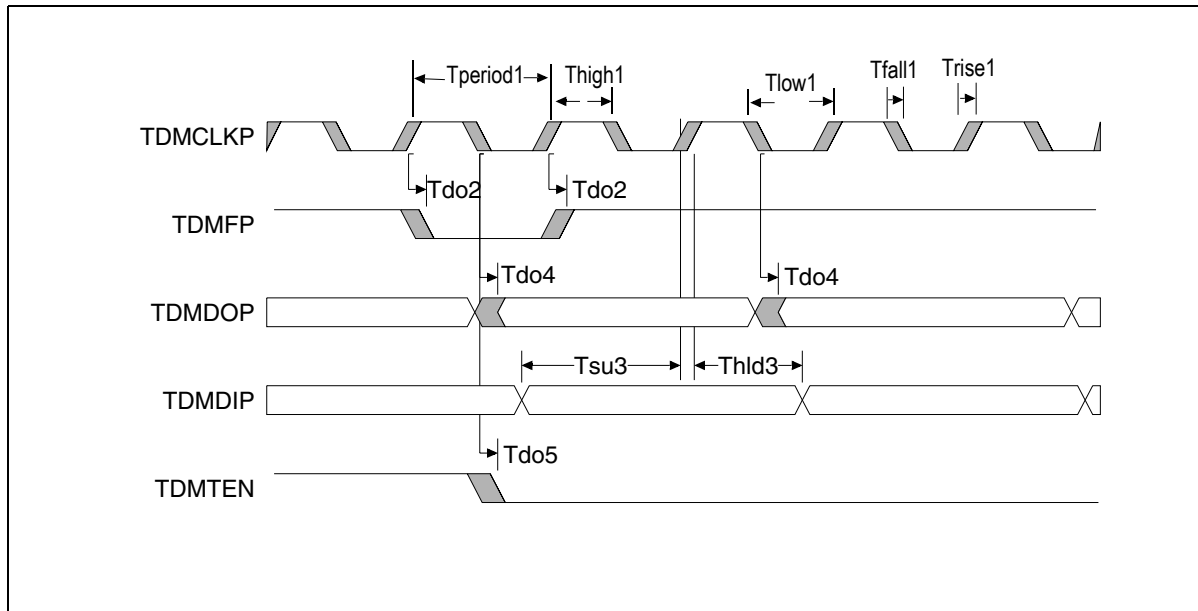


Figure 15 TDM AC Timing Waveform, Master Mode

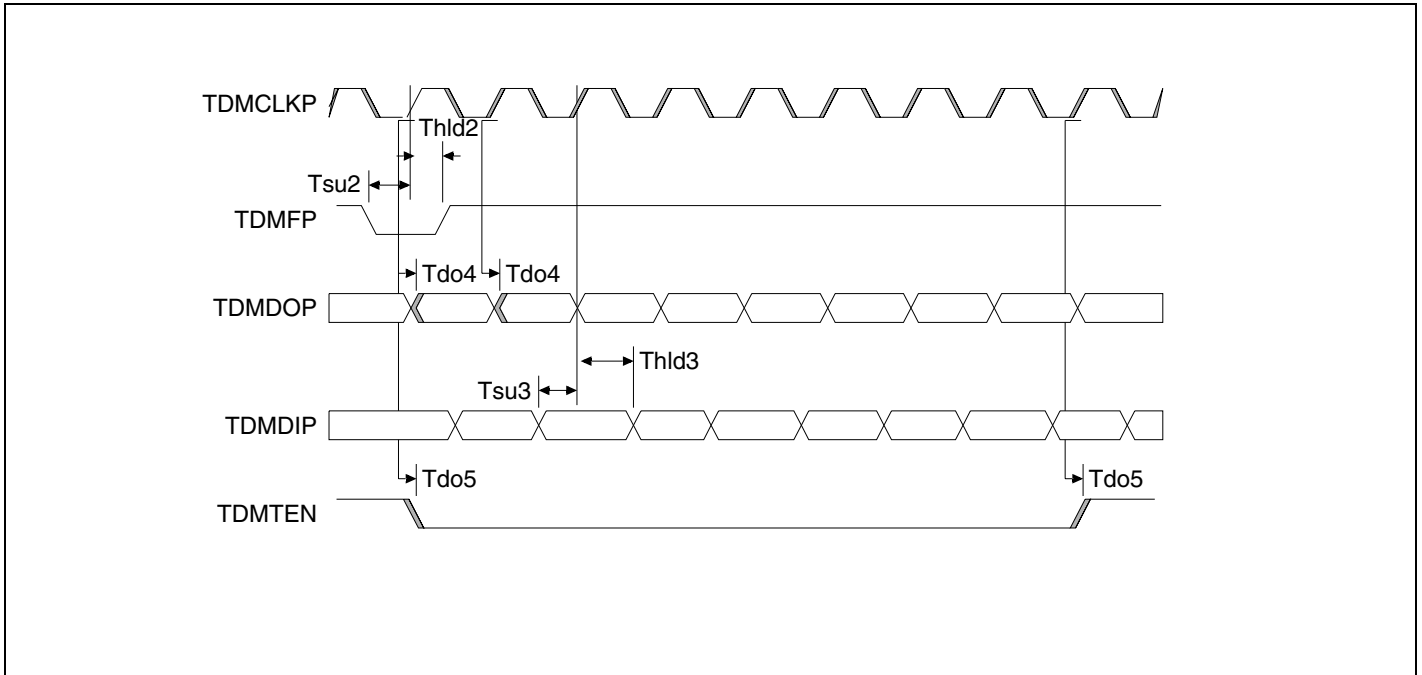


Figure 16 TDM AC Timing Waveform, Slave Mode

Signal	Symbol	Reference Edge	133MHz		150MHz		180MHz		Unit	Conditions	Timing Diagram Reference
			Min	Max	Min	Max	Min	Max			
USB											
USBCLKP ¹	Tperiod1	none	19.79	21.87	19.79	21.87	19.79	21.87	ns		Figure 17
	Thigh1,Tlow1		8.3	—	8.3	—	8.3	—	ns		
	Trise1,Tfall1		—	3	—	3	—	3	ns		
	Tjitter1		—	0.8	—	0.8	—	0.8	ns	1/4th of the minimum Source data jitter	
USBDN, USBDP	Trise2		4	20	4	20	4	20	ns	Universal Serial Bus Specification (USBS) Revision 1.1: Figures 7.6 and 7.7.	
	Tfall2		4	20	4	20	4	20	ns	USBS Revision 1.1: Figures 7.6 and 7.7.	
USBDN and USBDP Rise and Fall Time Matching			90	111.11	90	111.11	90	111.11	%	USBS Revision 1.1: Note 10, Section 7.1.2.	
Data valid period	Tstate		60	—	60	—	60	—	ns		
Skew between USBDN and USBDP			—	0.4	—	0.4	—	0.4	ns	USBS Revision 1.1: Section 7.1.3	
Source data jitter			—	3.5	—	3.5	—	3.5	ns	USBS Revision 1.1: Table 7-6	
Receive data jitter			—	12	—	12	—	12	ns		
Source EOP length	Tseop		160	175	160	175	160	175	ns		
Receive EOP length	Treop		82	—	82	—	82	—	ns		
EOP jitter			-2	5	-2	5	-2	5	ns		
Full-speed Data Rate	Tfdrate		11.97	12.03	11.97	12.03	11.97	12.03	MHz	Average bit rate, USBS Section 7.1.11.	
Frame Interval			0.9995	1.0005	0.9995	1.0005	0.9995	1.0005	ms	USBS Section 7.1.12.	
Consecutive Frame Interval Jitter			—	42	—	42	—	42	ns	Without frame adjustment.	
			—	126	—	126	—	126	ns	With frame adjustment.	
¹ USB clock (USBCLKP) frequency must be less than CLKP frequency.											

Table 11 USB AC Timing Characteristics

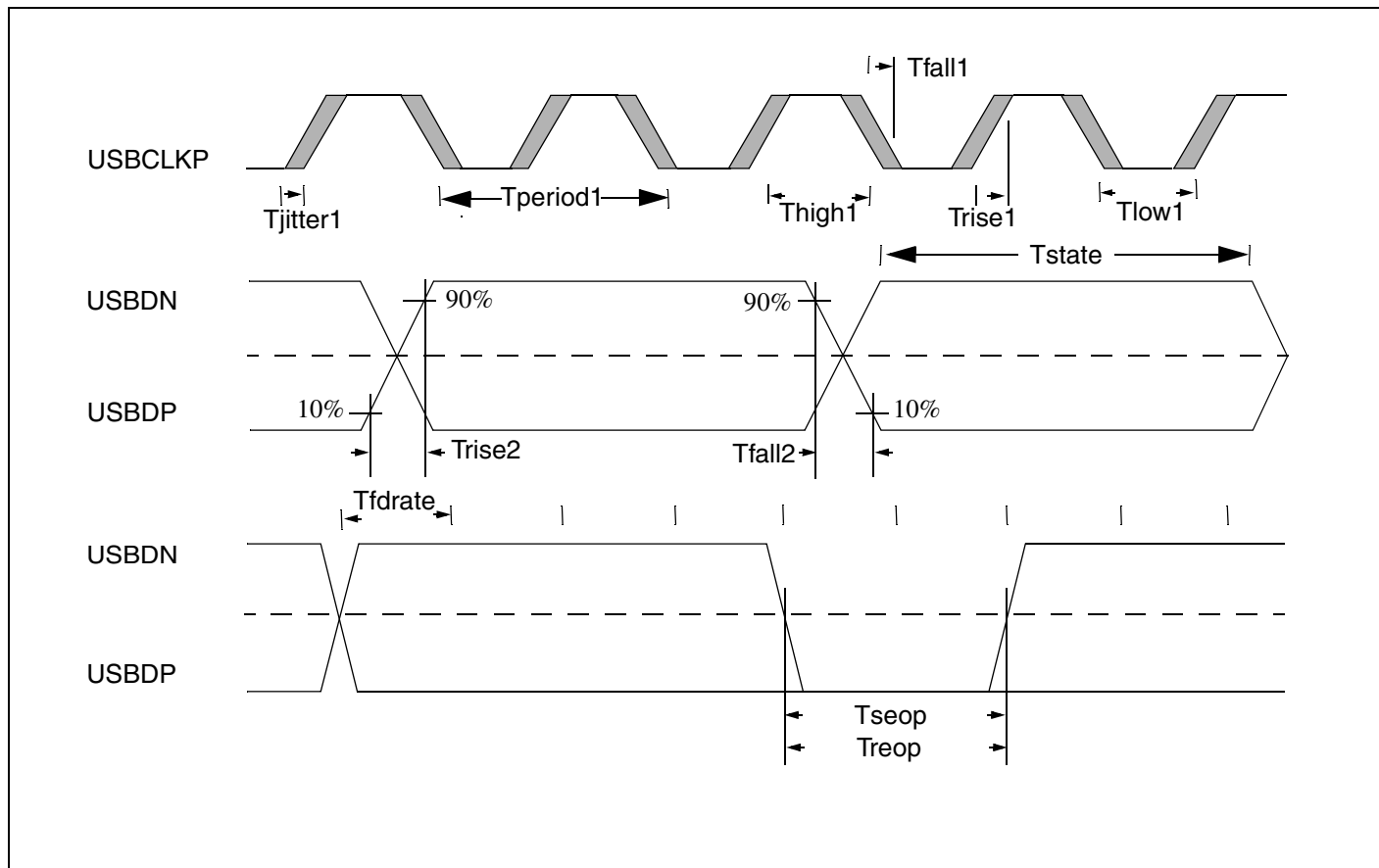


Figure 17 USB AC Timing Waveform

Signal	Symbol	Reference Edge	133MHz		150MHz		180MHz		Unit	Conditions	Timing Diagram Reference
			Min	Max	Min	Max	Min	Max			
UART											
U0SINP, U0RIN, U0DCDN, U0DSRN, U0CTSN, U1SINP, U1DSRN, U1CTSN	T_{su}^1	CLKP rising	5	—	5	—	5	—	ns		
	T_{hd}^1		3	—	3	—	3	—	ns		
U0SOUTP, U0DTRN, U0RTSN, U1SOUTP, U1DTRN, U1RTSN	T_{do}^1	CLKP rising	1	12	1	12	1	12	ns		

¹ These are asynchronous signals and the values are provided for ATE (test) only.

Table 12 UART AC Timing Characteristics

Signal	Symbol	Reference Edge	133MHz		150MHz		180MHz		Unit	Conditions	Timing Diagram Reference
			Min	Max	Min	Max	Min	Max			
I²C¹											
SCLP	Frequency	none	0	100	0	100	0	100	kHz	100 KHz	Figure 18
	Thigh1		4.0	—	4.0	—	4.0	—	μs		
	Tlow1		4.7	—	4.7	—	4.7	—	μs		
	Trise1		—	1000	—	1000	—	1000	ns		
	Tfall1		—	300	—	300	—	300	ns		
SDAP	Tsu2	SCLP rising	250	—	250	—	250	—	ns		
	Thld2		0	3.45	0	3.45	0	3.45	μs		
	Trise2		—	1000	—	1000	—	1000	ns		
	Tfall2		—	300	—	300	—	300	ns		
Start or repeated start condition	Tsu3	SDAP falling	4.7	—	4.7	—	4.7	—	μs		
	Thld3		4.0	—	4.0	—	4.0	—	μs		
Stop condition	Tsu4	SDAP rising	4.0	—	4.0	—	4.0	—	μs		
Bus free time between a stop and start condition	Tdelay5		4.7	—	4.7	—	4.7	—	μs		
SCLP	Frequency	none	0	400	0	400	0	400	kHz	400 KHz	
	Thigh1		0.6	—	0.6	—	0.6	—	μs		
	Tlow1		1.3	—	1.3	—	1.3	—	μs		
	Trise1		—	300	—	300	—	300	ns		
	Tfall1		—	300	—	300	—	300	ns		
SDAP	Tsu2	SCLP rising	100	—	100	—	100	—	ns		
	Thld2		0	0.9	0	0.9	0	0.9	μs		
	Trise2		—	300	—	300	—	300	ns		
	Tfall2		—	300	—	300	—	300	ns		
Start or repeated start condition	Tsu3	SDAP falling	0.6	—	0.6	—	0.6	—	μs		
	Thld3		0.6	—	0.6	—	0.6	—	μs		
Stop condition	Tsu4	SDAP rising	0.6	—	0.6	—	0.6	—	μs		
Bus free time between a stop and start condition	Tdelay5		1.3	—	1.3	—	1.3	—	μs		

Table 13 I²C AC Timing Characteristics

¹ For more information see the I²C-Bus specification by Philips Semiconductor

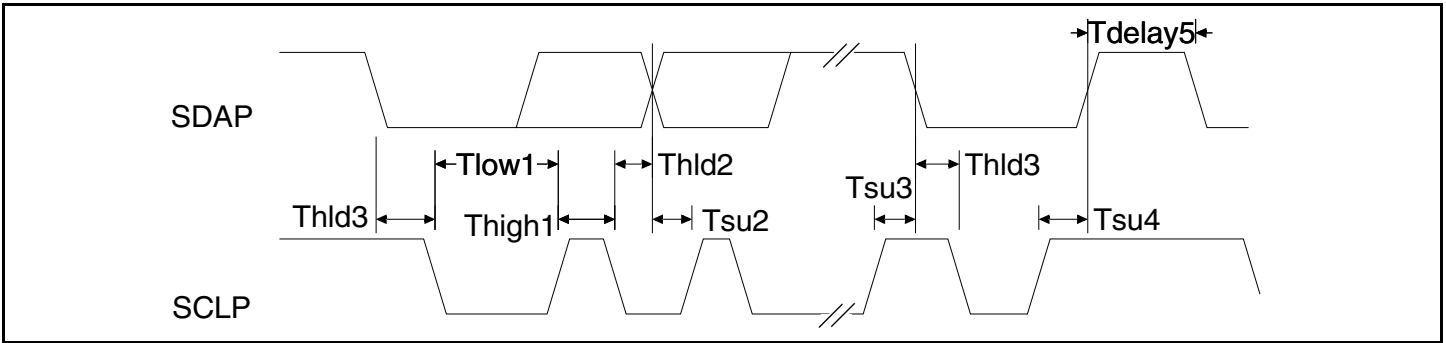


Figure 18 I²C AC Timing Waveform

Signal	Symbol	Reference Edge	133MHz		150MHz		180MHz		Unit	Conditions	Timing Diagram Reference
			Min	Max	Min	Max	Min	Max			
GPIOP											
GPIOP[31:0] ¹	Tsu1	CLKP rising	4	—	4	—	4	—	ns		Figure 19
	Thld1		1.4	—	1.4	—	1.4	—	ns		
	Tdo1		2	8	2	8	2	8	ns		
GPIOP[35:32] ²	Tsu1		3	—	3	—	3	—	ns		
	Thld1		1	—	1	—	1	—	ns		
	Tdo1		3	8	3	8	3	8	ns		

¹ GPIOP[31:0] are controlled through the GPIO interface. GPIO[31:0] are asynchronous signals, the values are provided for ATE (test) only.
² GPIOP[35:32] are controlled through the TDM interface.

Table 14 GPIOP AC Timing Characteristics

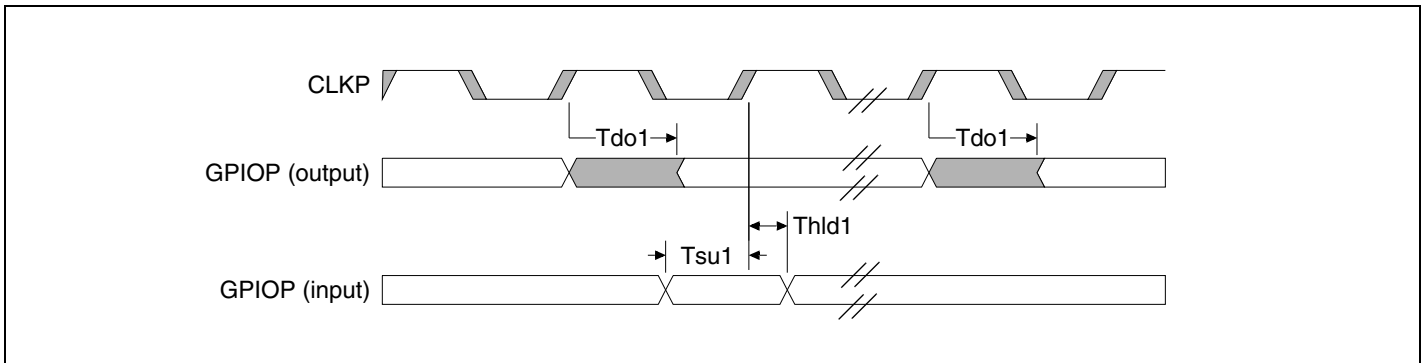


Figure 19 GPIOP AC Timing Waveform

Signal	Symbol	Reference Edge	133MHz		150MHz		180MHz		Unit	Conditions	Timing Diagram Reference
			Min	Max	Min	Max	Min	Max			
EJTAG and JTAG											
JTAG_TCK	Tperiod1	none	100	—	100	—	100	—	ns		Figure 20
	Thigh1, Tlow1		40	—	40	—	40	—	ns		
	Trise1, Tfall1		—	5	—	5	—	5	ns		
EJTAG_DCLK ¹	Tperiod2	none	7.5	10.0	6.7	10.0	5.6	10.0	ns		
	Thigh2, Tlow2		2.5	—	2.5	—	2.5	—	ns		
	Trise2, Tfall2		—	3.5	—	3.5	—	3.5	ns		
JTAG_TMS, JTAG_TDI, JTAG_TRST_N	Tsu3	JTAG_TCK rising	3.0	—	3.0	—	3.0	—	ns		
	Thld3		1.0	—	1.0	—	1.0	—	ns		
JTAG_TDO	Tdo4	JTAG_TCK falling	2.0	12.0	2	12.0	2	12.0	ns		
	Tdo5	EJTAG_DCLK rising	-0.7 ²	1.0	-0.7 ²	1.0	-0.7 ²	1.0	ns		
JTAG_TRST_N	Tpw6	none	100	—	100	—	100	—	ns		
	Tsu6	JTAG_TCK rising	2	—	2	—	2	—	ns		
EJTAG_PCST[2:0]	Tdo7	EJTAG_DCLK rising	-0.3 ²	3.3	-0.3 ²	3.3	-0.3 ²	3.3	ns		

¹ EJTAG_DCLK is equal to the internal CPU pipeline clock.

² A negative delay denotes the amount of time before the reference clock edge.

Table 15 JTAG AC Timing Characteristics

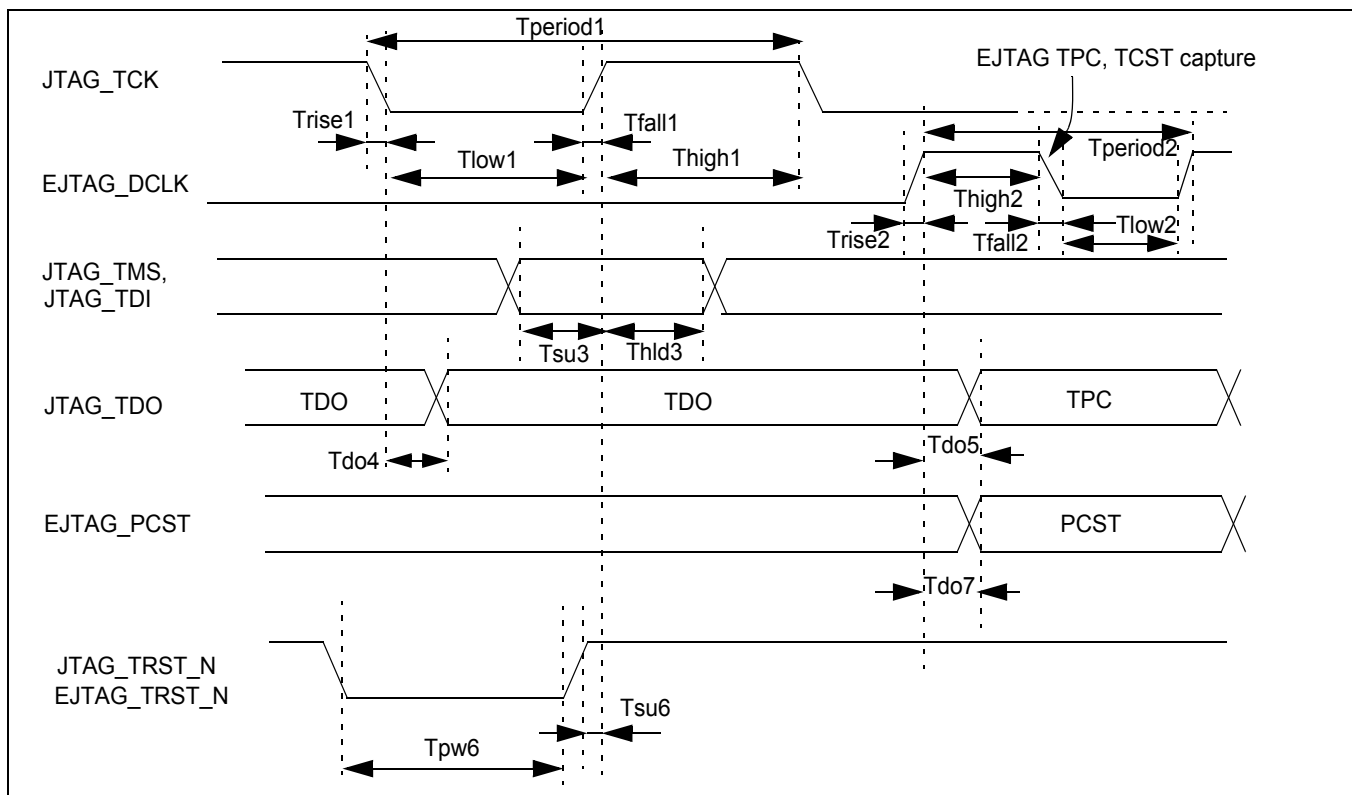


Figure 20 JTAG AC Timing Waveform

Table 16 shows the pin numbering for the Standard EJTAG connector. All the even numbered pins are connected to ground. Multiplexing of pin functions should be considered when connecting EJTAG_TRST_N and EJTAG_PCST.

For details on using the JTAG connector, see the JTAG chapters in the RC32355 user reference manual.

PIN	SIGNAL	RC32355 I/O	TERMINATION ¹
1	EJTAG_TRST_N	Input	10 kΩ pull-down resistor. A pull-down resistor will hold the EJTAG controller in reset when not in use if the EJTAG_TRST_N function is selected with the boot configuration vector. Refer to the User Manual.
3	JTAG_TDI	Input	10 kΩ pull-up resistor
5	JTAG_TDO	Output	33 Ω series resistor
7	JTAG_TMS	Input	10 kΩ pull-up resistor
9	JTAG_TCK	Input	10 kΩ pull-up resistor ²
11	System Reset	Input	10 kΩ pull-up resistor is used if it is combined with the system cold reset control, COLDRSTN.
13	EJTAG_PCST[0]	Output	33 Ω series resistor
15	EJTAG_PCST[1]	Output	33 Ω series resistor
17	EJTAG_PCST[2]	Output	33 Ω series resistor
19	EJTAG_DCLK	Output	33 Ω series resistor
21	Debug Boot	Input	This can be connected to the boot configuration vector to control debug boot mode if desired. Refer to Table 2 on page 12 and the RC32355 user reference manual.
23	VccI/O	Output	Used to sense the circuit board power. Must be connected to the VCC I/O supply of the circuit board.

Table 16 Pin Numbering of the JTAG and EJTAG Target Connector

¹. The value of the series resistor may depend on the actual printed circuit board layout situation.

². JTAG_TCK pull-up resistor is not required according to the JTAG (IEEE1149) standard. It is indicated here to prevent a floating CMOS input when the EJTAG connector is unconnected.

AC Test Conditions

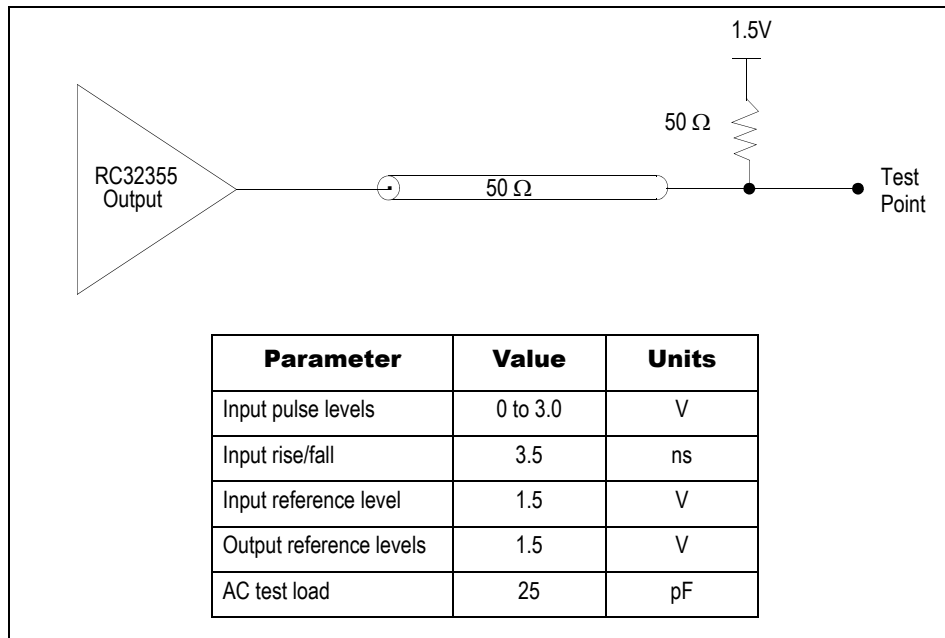


Figure 21 Output Loading for AC Timing

Phase-Locked Loop (PLL)

The processor aligns the pipeline clock, PClock, to the master input clock (CLKP) by using an internal phase-locked loop (PLL) circuit that generates aligned clocks. Inherently, PLL circuits are only capable of generating aligned clocks for master input clock (CLKP) frequencies within a limited range.

PLL Analog Filter

The storage capacitor required for the Phase-Locked Loop circuit is contained in the RC32355. However, it is recommended that the system designer provide a filter network of passive components for the PLL power supply.

VccP (PLL circuit power) and VssP (PLL circuit ground) should be isolated from Vcc Core (core power) and Vss (common ground) with a filter circuit such as the one shown in Figure 22.

Because the optimum values for the filter components depend upon the application and the system noise environment, these values should be considered as starting points for further experimentation within your specific application.

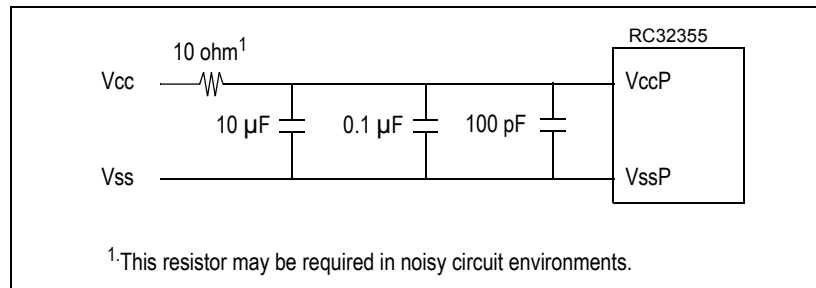


Figure 22 PLL Filter Circuit for Noisy Environments

Recommended Operating Temperature and Supply Voltage

Grade	Temperature	Vss ¹ VssP ⁵	VccI/O ²	VccCore ³ VccP ⁴
Commercial	0°C to +70°C Ambient	0V	3.3V±5%	2.5V±5%
Industrial	-40°C+ 85°C Ambient	0V	3.3V±5%	2.5V±5%

¹ Vss supplies a common ground.
² VccI/O is the I/O power.
³ VccCore is the internal logic power.
⁴ VccP is the phase lock loop power.
⁵ VssP is the phase lock loop ground.

Table 17 Temperature and Voltage

Capacitive Load Deration

Refer to the [RC32355 IBIS Model](#) which can be found at the IDT web site (www.idt.com).

Power-on RampUp

The 2.5V core supply (and 2.5V V_{CCPLL} supply) can be fully powered without the 3.3V I/O supply. However, the 3.3V I/O supply cannot exceed the 2.5V core supply by more than 1 volt during power up. A sustained large power difference could potentially damage the part. Inputs should not be driven until the part is fully powered. Specifically, the input high voltages should not be applied until the 3.3V I/O supply is powered.

There is no special requirement for how fast V_{CC} I/O ramps up to 3.3V. However, all timing references are based on a stable V_{CC} I/O.

DC Electrical Characteristics

($T_{ambient} = 0^{\circ}C$ to $+70^{\circ}C$ Commercial, $T_{ambient} = -40^{\circ}C$ to $+85^{\circ}C$ Industrial, V_{CC} I/O = $+3.3V \pm 5\%$, V_{CC} Core and $V_{CC}P = +2.5V \pm 5\%$)

	Parameter	Min	Max	Unit	Pin Numbers	Conditions
LOW Drive Output with Schmitt Trigger Input (STI)	I_{OL}	7.3	—	mA	1-4,6-8,10-16,18,20-25,27-29,32,33,35-37,39-42,44,46-48,50,52,53,56,58-60,62-69,71-77,82-85,87-94,96-99,101-105,167,205-208	$V_{OL} = 0.4V$
	I_{OH}	-8.0	—	mA		$V_{OH} = (V_{CC} I/O - 0.4)$
	V_{IL}	—	0.8	V		—
	V_{IH}	2.0	$(V_{CC} I/O + 0.5)$	V		—
	V_{OH}	$V_{CC} - 0.4$	—	V		—
HIGH Drive Output with Standard Input	I_{OL}	9.4	—	mA	49,51,54,55,106-108,110,112-117,119,121,123-128,130,132-137,139,141,143,150,152,154-159,161,163-166,168-170,172,174-179,181,185-190,192,194-200,202,204	$V_{OL} = 0.4V$
	I_{OH}	-15	—	mA		$V_{OH} = (V_{CC} I/O - 0.4)$
	V_{IL}	—	0.8	V		—
	V_{IH}	2.0	$(V_{CC} I/O + 0.5)$	V		—
	V_{OH}	$V_{CC} - 0.4$	—	V		—
Clock Drive Output	I_{OL}	39	—	mA	183	$V_{OL} = 0.4V$
	I_{OH}	-24	—	mA		$V_{OH} = (V_{CC} I/O - 0.4)$
Capacitance	C_{IN}	—	10	pF	All pins	—
Leakage	I/O_{LEAK}	—	20	μA	All pins	—

Table 18 DC Electrical Characteristics

USB Electrical Characteristics

	Parameter	Min	Max	Unit	Conditions
USB Interface					
V_{di}	Differential Input Sensitivity	-0.2		V	$ D^+ - D^- $
V_{cm}	Differential Input Common Mode Range	0.8	2.5	V	
V_{se}	Single ended Receiver Threshold	0.8	2.0	V	
C_{in}	Transceiver Capacitance		20	pF	
I_{li}	Hi-Z State Data Line Leakage	-10	10	μ A	$0V < V_{in} < 3.3V$
USB Upstream/Downstream Port					
V_{oh}	Static Output High	2.8	3.6	V	$15k\Omega \pm 5\%$ to Gnd
V_{ol}	Static Output Low		0.3	V	
Z_o	USB Driver Output Impedance	28	44	Ω	Including $R_{ext} = 20\Omega$

Table 19 USB Interface Characteristics

Power Consumption

Note: This table is based on a 2:1 CPU pipeline to system (PClock to CLKP) clock ratio.

Parameter		133MHz		150MHz		180MHz		Unit	Conditions
		Typical	Max.	Typical	Max.	Typical	Max.		
I_{CC} I/O		80	130	100	150	120	170	mA	
I_{CC} core	Normal mode	400	450	450	500	500	550	mA	$C_L = 25pF$ (affects I/O) $T_a = 25^\circ C$ $V_{CCP} = 2.625V$ (for max. values) V_{CC} core = 2.625V (for max. values) V_{CC} I/O = 3.46V (for max. values) $V_{CCP} = 2.5V$ (for typical values) V_{CC} core = 2.5V (for typical values) V_{CC} I/O = 3.3V (for typical values)
	Standby mode ¹	320	370	360	410	400	450	mA	
Power Dissipation	Normal mode	1.26	1.63	1.46	1.86	1.73	2.03	W	
	Standby mode ¹	1.06	1.42	1.22	1.59	1.47	1.77	W	

¹ RISCore 32300 CPU core enters Standby mode by executing WAIT instructions; however, other logic continues to function. Standby mode reduces power consumption by 0.6 mA per MHz of the CPU pipeline clock, PClock.

Table 20 RC32355 Power Consumption

Power Curve

The following graph contains a power curve that shows power consumption at various bus frequencies.

Note: The system clock (CLKP) can be multiplied by 2, 3, or 4 to obtain the CPU pipeline clock (PClock) speed.

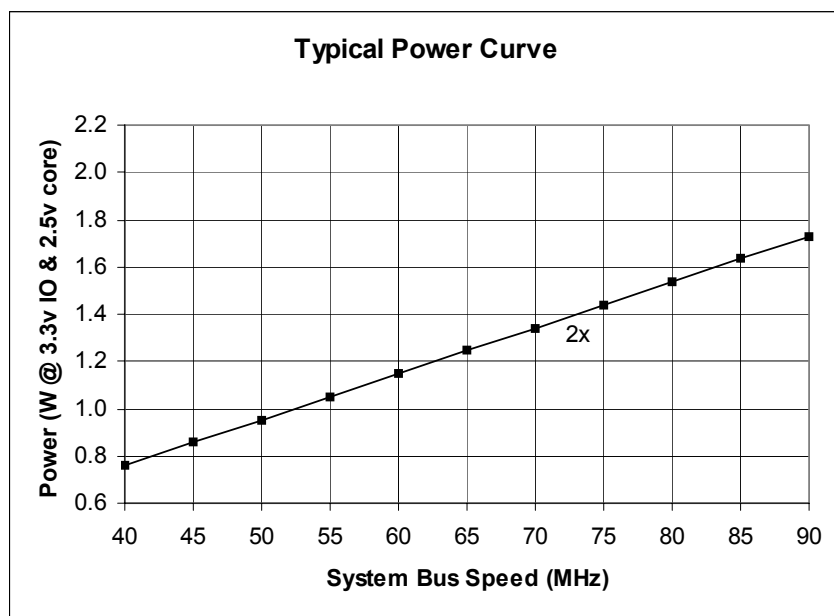


Figure 23 Typical Power Usage

Absolute Maximum Ratings

Symbol	Parameter	Min ¹	Max ¹	Unit
V _{cc} I/O	I/O Supply Voltage	-0.3	3.465	V
V _{cc} Core	Core Supply Voltage	-0.3	3.0	V
V _{cc} P	PLL Supply Voltage	-0.3	3.0	V
V _{imin}	Input Voltage - undershoot	-0.6	—	V
V _i	I/O Input Voltage	Gnd	V _{cc} I/O+0.6	V
T _a , Industrial	Ambient Operating Temperature	-40	85	degrees C
T _{stg}	Storage Temperature	-40	125	degrees C

Table 21 Absolute Maximum Ratings

¹ Functional and tested operating conditions are given in Table 17. Absolute maximum ratings are stress ratings only, and functional operation at the maximums is not guaranteed. Stresses beyond those listed may affect device reliability or cause permanent damage to the device.

Package Pin-out — 208-Pin PQFP

The following table lists the pin numbers and signal names for the RC32355.

Pin	Function	Alt	Pin	Function	Alt	Pin	Function	Alt	Pin	Function	Alt
1	ATMOUTP[0]		53	JTAG_TDO		105	BGN		157	MDATA[28]	
2	ATMOUTP[1]		54	GPIOP[16]	1	106	CSN[0]		158	MDATA[13]	
3	ATMINP[02]		55	GPIOP[17]	1	107	CSN[1]		159	MDATA[29]	
4	ATMOUTP[2]		56	GPIOP[18]	1	108	CSN[2]		160	Vcc I/O	
5	Vss		57	Vss		109	Vcc I/O		161	MDATA[14]	
6	ATMOUTP[3]		58	JTAG_TCK		110	CSN[3]		162	Vss	
7	ATMINP[03]		59	GPIOP[19]	1	111	Vss		163	MDATA[30]	
8	ATMOUTP[4]		60	GPIOP[20]	1	112	OEN		164	MDATA[15]	
9	Vcc I/O		61	Vcc I/O		113	RWN		165	MDATA[31]	
10	ATMOUTP[5]		62	GPIOP[21]	1	114	BDIRN		166	CLKP	
11	ATMINP[04]		63	JTAG_TDI		115	BOEN[0]		167	WAITACKN	
12	ATMOUTP[6]		64	GPIOP[22]	1	116	BOEN[1]		168	MADDR[00]	
13	ATMOUTP[7]		65	GPIOP[23]	2	117	BWEN[0]		169	MADDR[11]	
14	ATMINP[05]		66	GPIOP[24]	1	118	Vcc I/O		170	MADDR[01]	
15	ATMOUTP[8]		67	JTAG_TMS		119	BWEN[1]		171	Vcc I/O	
16	ATMOUTP[9]		68	GPIOP[25]	2	120	Vss		172	MADDR[12]	
17	Vss		69	GPIOP[26]	1	121	BWEN[2]		173	Vss	
18	ATMINP[06]		70	Vss		122	Vcc Core		174	MADDR[02]	
19	Vcc Core		71	GPIOP[27]	1	123	BWEN[3]		175	MADDR[13]	
20	GPIOP[00]	1	72	COLDRSTN		124	MDATA[00]		176	MADDR[03]	
21	GPIOP[01]	1	73	GPIOP[28]	1	125	MDATA[16]		177	MADDR[14]	
22	ATMINP[07]		74	GPIOP[29]	1	126	MDATA[01]		178	MADDR[04]	
23	GPIOP[02]	2	75	GPIOP[30]	1	127	MDATA[17]		179	MADDR[15]	
24	GPIOP[03]	1	76	GPIOP[31]	2	128	MDATA[02]		180	Vcc I/O	
25	ATMINP[08]		77	USBCLKP		129	Vcc I/O		181	MADDR[05]	
26	Vcc I/O		78	Vcc I/O		130	MDATA[18]		182	Vcc Core	
27	GPIOP[04]	2	79	USBDN		131	Vss		183	SYSCCLKP	
28	GPIOP[05]	1	80	USBDP		132	MDATA[03]		184	Vss	
29	ATMINP[09]		81	Vss		133	MDATA[19]		185	MADDR[16]	
30	VccP ¹		82	MIICRSP		134	MDATA[04]		186	MADDR[06]	
31	VssP ¹		83	MIICOLP		135	MDATA[20]		187	MADDR[17]	
32	ATMINP[10]		84	MIITXDP[0]		136	MDATA[05]		188	MADDR[07]	
33	GPIOP[06]	1	85	MIITXDP[1]		137	MDATA[21]		189	MADDR[18]	
34	Vss		86	Vcc Core		138	Vcc Core		190	MADDR[08]	

Table 22: 208-pin QFP Package Pin-Out (Part 1 of 2)

Pin	Function	Alt	Pin	Function	Alt	Pin	Function	Alt	Pin	Function	Alt
35	GPIOP[07]	1	87	MIITXDP[2]		139	MDATA[06]		191	Vcc I/O	
36	ATMINP [11]		88	MIITXDP[3]		140	Vcc I/O		192	MADDR[19]	
37	GPIOP[08]	2	89	MIITXENP		141	MDATA[22]		193	Vss	
38	Vcc Core		90	MIITXCLKP		142	Vss		194	MADDR[09]	
39	GPIOP[09]	2	91	MIITXERP		143	MDATA[07]		195	MADDR[20]	
40	GPIOP[10]	2	92	MIIRXERP		144	MDATA[23]		196	MADDR[10]	
41	GPIOP[11]	2	93	MIIRXCLKP		145	SDCLKINP		197	MADDR[21]	
42	GPIOP[12]	2	94	MIIRXDVP		146	MDATA[08]		198	CASN	
43	Vcc I/O		95	Vcc I/O		147	MDATA[24]		199	RASN	
44	GPIOP[13]	2	96	MIIRXDP[0]		148	MDATA[09]		200	SDWEN	
45	Vss		97	MIIRXDP[1]		149	MDATA[25]		201	Vcc I/O	
46	GPIOP[14]	1	98	MIIRXDP[2]		150	MDATA[10]		202	SDCSN[0]	
47	GPIOP[15]	1	99	MIIRXDP[3]		151	Vcc I/O		203	Vss	
48	GPIOP[35]	1	100	Vss		152	MDATA[26]		204	SDCSN[1]	
49	GPIOP[34]	1	101	MIIDCP		153	Vss		205	ATMINP[00]	
50	GPIOP[33]	1	102	MIIDIOP		154	MDATA[11]		206	ATMIOP[0]	
51	GPIOP[32]	1	103	RSTN		155	MDATA[27]		207	ATMIOP[1]	
52	INSTP		104	BRN		156	MDATA[12]		208	ATMINP[01]	

¹ VccP and VssP are the Phase Lock Loop (PLL) power and ground. PLL power and ground should be supplied through a special filter circuit.

Table 22: 208-pin QFP Package Pin-Out (Part 2 of 2)

Alternate Pin Functions

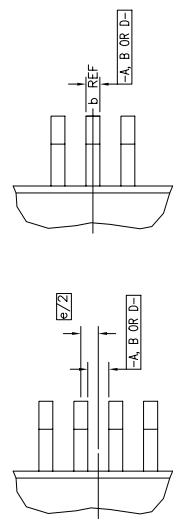
Pin	Primary	Alt #1	Alt #2	Pin	Primary	Alt #1	Alt #2
20	GPIOP[00]	U0SOUTP		51	GPIOP[32]	TDMDOP	
21	GPIOP[01]	U0SINP		54	GPIOP[16]	CSN[4]	
23	GPIOP[02]	U0RIN	JTAG_TRST_N	55	GPIOP[17]	CSN[5]	
24	GPIOP[03]	U0DCRN		56	GPIOP[18]	DMAREQN	
27	GPIOP[04]	U0DTRN	CPUP	59	GPIOP[19]	DMADONEN	
28	GPIOP[05]	U0DSRN		60	GPIOP[20]	USBSOF	
33	GPIOP[06]	U0RTSN		62	GPIOP[21]	CKENP	
35	GPIOP[07]	U0CTSN		64	GPIOP[22]	TXADDR[0]	
37	GPIOP[08]	U1SOUTP	DMAP[3]	65	GPIOP[23]	TXADDR[1]	DMAP[0]
39	GPIOP[09]	U1SINP	DMAP[2]	66	GPIOP[24]	RXADDR[0]	
40	GPIOP[10]	U1DTRN	EJTAG_PCST[0]	68	GPIOP[25]	RXADDR[1]	DMAP[1]
41	GPIOP[11]	U1DSRN	EJTAG_PCST[1]	69	GPIOP[26]	TDMTEN	
42	GPIOP[12]	U1RTSN	EJTAG_PCST[2]	71	GPIOP[27]	MADDR[22]	
44	GPIOP[13]	U1CTSN	EJTAG_DCLK	73	GPIOP[28]	MADDR[23]	
46	GPIOP[14]	SDAP		74	GPIOP[29]	MADDR[24]	
47	GPIOP[15]	SCLP		75	GPIOP[30]	MADDR[25]	
48	GPIOP[35]	TDMCLKP		76	GPIOP[31]	DMAFIN	EJTAG_TRST_N
49	GPIOP[34]	TDMFP					
50	GPIOP[33]	TDMDIP					

Table 23 Alternate Pin Functions

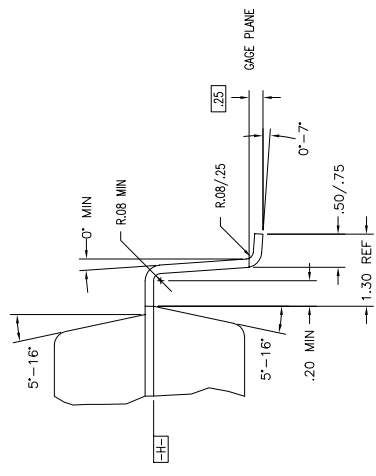
Package Drawing - 208-pin QFP

REVISIONS				
DCN	REV	DESCRIPTION	DATE	APPROVED
29253	00	INITIAL RELEASE	08/20/96	T. YU
61476	01	ADD 'DH' PACKAGE OPTION	09/20/98	T. YU
61829	02	ADD 'DR' PACKAGE OPTION	07/30/99	

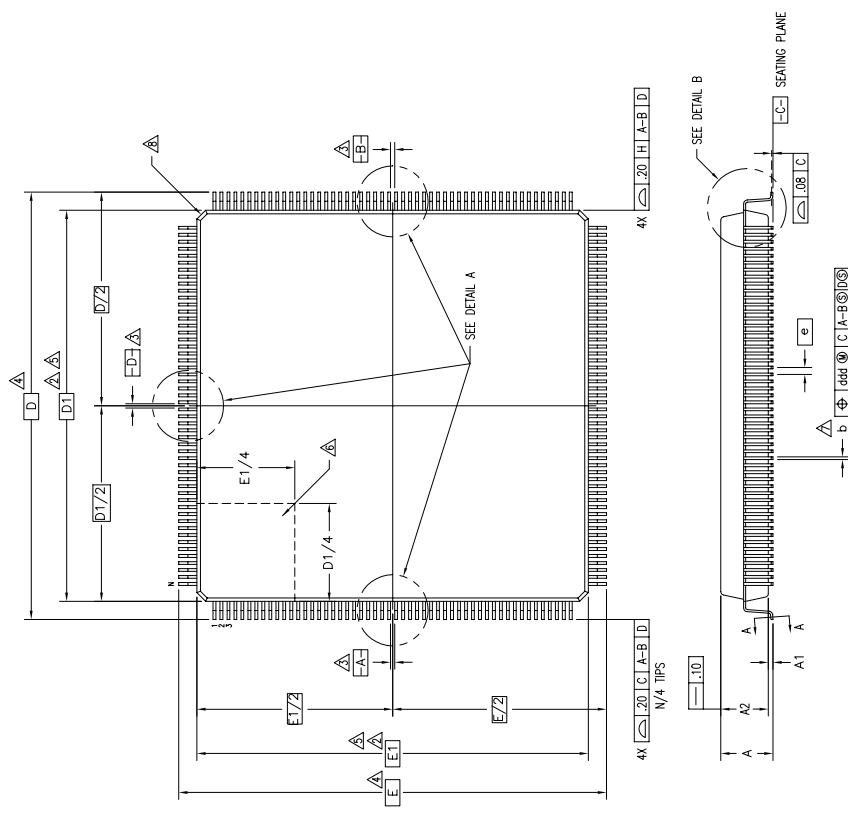
EVEN LEAD SIDES
ODD LEAD SIDES



DETAIL A



DETAIL B

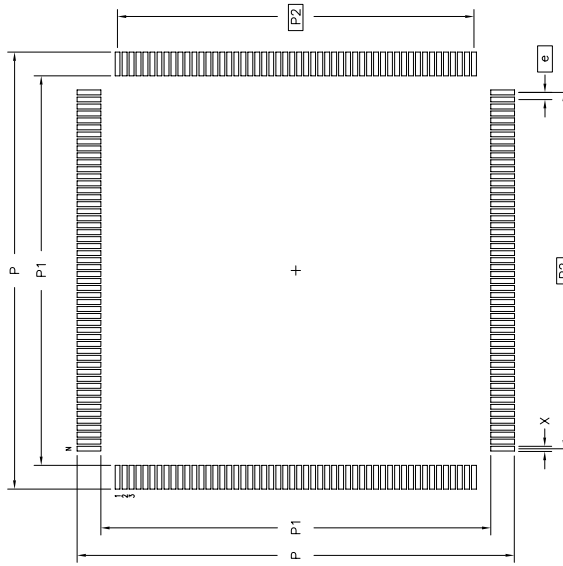


		Integrated Device Technology, Inc. 2975 Steiner Way, Santa Clara, CA 95054 PHONE: (408) 727-6116 FAX: (408) 492-8874 TWR: 910-338-2070	
TOLERANCES UNLESS SPECIFIED:	DATE	TITLE	REV
DECIMAL ±	08/20/96	DS/DH/DR PACKAGE OUTLINE	02
ANGULAR ±		28.0 X 28.0 X 3.4 mm PQFP	
XX.X ±		1.30/.25 MIN FORM	
XXX.X ±			
APPROVALS	DRAWN	CHECKED	SIZE
			DRAWING P.C.
			PSC-4059
DO NOT SCALE DRAWING			SHEET 1 OF 2

Package Drawing - page two

REVISIONS				
DCN	REV	DESCRIPTION	DATE	APPROVED
22253	00	INITIAL RELEASE	08/20/98	T. VU
61476	01	ADD 'DR' PACKAGE OPTION	09/20/98	T. VU
61829	02	ADD 'DR' PACKAGE OPTION	01/30/99	

LAND PATTERN DIMENSIONS



	MIN	MAX
P	31.20	31.40
P1	27.80	28.00
P2	25.50	BSC
X	.30	.40
e		.50 BSC
N		208

Integrated Device Technology, Inc.
 2975 Semlar Way, Santa Clara, CA 95054
 PHONE: (408) 727-6118
 FAX: (408) 492-8674 TWE: 910-338-2070

dt

TOLERANCES UNLESS SPECIFIED:
 DECIMAL ANGULAR ±
 XX.X .1
 XXX.X .05

APPROVALS DATE 08/20/98
 DRAWN 973
 CHECKED

TITLE DS/DH/DR PACKAGE OUTLINE
 28.0 X 28.0 X 3.4 mm PQFP
 1.30/.25 MIN FORM

SIZE C
 DRAWING PSC-4059
 REV 02

DO NOT SCALE DRAWING SHEET 2 OF 2

SYMBOL	JEDEC VARIATION		
	FA-1	MIN	MAX
A	-	-	4.10
A1	.25	-	-
A2	3.20	3.40	3.60
D	30.60 BSC		
D1	28.00 BSC		
E	30.60 BSC		
E1	28.00 BSC		
N	208		
e	.50 BSC		
b	.17	-	.27
b1	.17	.20	.23
ddd	-	-	.08

NOTES:

- 1 ALL DIMENSIONING AND TOLERANCING CONFORM TO ASME Y14.5M-1994
- 2 TOP PACKAGE MAY BE SMALLER THAN BOTTOM PACKAGE BY .15 mm
- 3 DATUMS [A-B] AND [D-E] TO BE DETERMINED AT DATUM PLANE [H-I]
- 4 DIMENSIONS D AND E ARE TO BE DETERMINED AT SEATING PLANE [C-C]
- 5 DIMENSIONS D1 AND E1 DO NOT INCLUDE MOLD PROTRUSION. ALLOWABLE MOLD PROTRUSION IS .25 mm PER SIDE. D1 AND E1 ARE BODY SIZE DIMENSIONS INCLUDING MOLD MISMATCH
- 6 DETAIL OF PIN 1 IDENTIFIER IS OPTIONAL BUT MUST BE LOCATED WITHIN THE ZONE INDICATED
- 7 DIMENSION b DOES NOT INCLUDE DAMBAR PROTRUSION. ALLOWABLE DAMBAR PROTRUSION IS .08 mm IN EXCESS OF THE b DIMENSION AT MAXIMUM MATERIAL CONDITION. DAMBAR CANNOT BE LOCATED ON THE LOWER RADIUS OR THE FOOT.
- 8 EXACT SHAPE OF EACH CORNER IS OPTIONAL
- 9 THESE DIMENSIONS APPLY TO THE FLAT SECTION OF THE LEAD BETWEEN .10 AND .25 mm FROM THE LEAD TIP
- 10 ALL DIMENSIONS ARE IN MILLIMETERS
- 11 THIS OUTLINE CONFORMS TO JEDEC PUBLICATION 95 REGISTRATION MO-143, VARIATION FA-1

Ordering Information

79RCXX	YY	XXXX	999	A	A	
Product Type	Operating Voltage	Device Type	Speed	Package	Temp range/ Process	
					Blank	Commercial Temperature (0°C to +70°C Ambient)
					I	Industrial Temperature (-40° C to +85° C Ambient)
				DH		208-pin QFP
			133			133 MHz Pipeline Clk
			150			150 MHz Pipeline Clk
			180			180 MHz Pipeline Clk
		355				Integrated Core Processor
	T					2.5V +/-5% Core Voltage
79RC32						32-bit Embedded Microprocessor

Valid Combinations

79RC32T355 -133DH, 150DH, 180DH 208-pin QFP package, Commercial Temperature
 79RC32T355 -133DHI, 150DHI 208-pin QFP package, Industrial Temperature



CORPORATE HEADQUARTERS
 2975 Stender Way
 Santa Clara, CA 95054

for SALES:
 800-345-7015 or 408-727-6116
 fax: 408-330-1748
 www.idt.com

for Tech Support:
 email: rischelp@idt.com
 phone: 408-492-8208