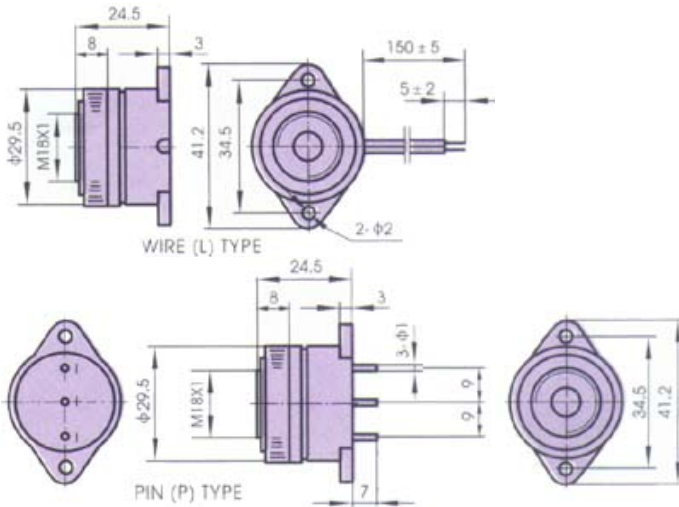


• FM-12C(24C)-900 Series

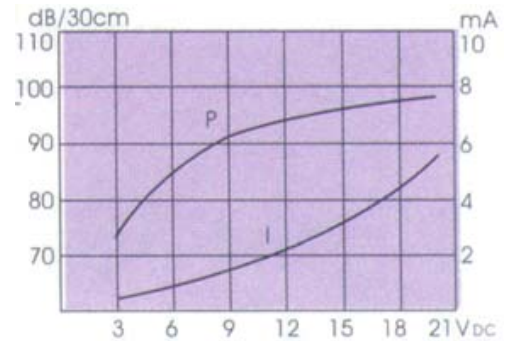


- FEATURES:**
- High output
 - High reliability

DIMENSIONS: (Unit: mm)



CHARACTERISTICS:



ELECTRICAL SPECIFICATIONS :

Model No .	FM-12(24C)-900L/P	FM-12(24C)-901L/P	FM-12(24C)-903L/P	FM-12(24C)-905L/P	FM-12(24C)-907L/P
Min. Sound Pressure Level (dB)	90(92) /12(24)V _{DC} /30(100)cm				
Rated Voltage (V _{DC})	12(24)				
Operating Voltage (V _{DC})	3 ~ 20 (12 ~ 28)				
Max. Consumption (mA)	10(20) /12(24)V _{DC}				
Oscillating Frequency (kHz)	3.7 ± 0.5				
Tone Nature	Continuous	Fast Pulse	Slow Pulse	Continuous + Fast pulse	Continuous + Slow pulse
Operating Temperature (°C)	-20 ~ +70				
Weight (g)	13				
Case Material/Colour	ABS/Black				

PACKING INFORMATION :

	P TYPE	L TYPE
Packing :	630 pcs per export carton	1100 pcs per export carton
Carton Size :	47 X 30.5 X 25 cm	47 X 30.5 X 25 cm
G. Weight :	7.6 kgs	15.4 kgs
N.Weight :	9.1 kgs	17.0 kgs