

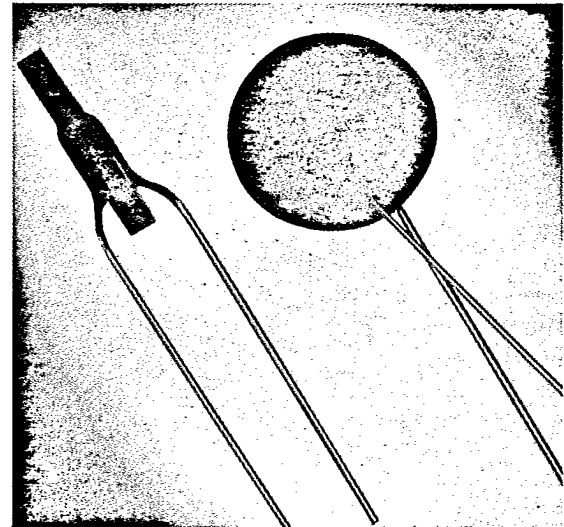
# Product Data

**SECTION 5052  
VARISTOR DISCS  
1.12" DIAMETER**

MIDWEST COMPONENTS, INC.

Components For The Control Of Energy

Discharge varistors protect circuits and components from inductive voltage surges by limiting peak discharge voltage to a safe value when AC or DC magnetic or inductive circuit current is suddenly interrupted.



Characteristics at 25°C.

ORDER NUMBER	MAXIMUM VALUES						SPECIFICATIONS	
	CONTINUOUS OPERATING VOLTAGE (VOLTS)		CONTINUOUS POWER RATING (WATTS)	DISCHARGE CAPACITY (WATT-SECONDS)	PEAK DISCHARGE VOLTAGE FOR GIVEN DC DISCHARGE CURRENT		DC TEST VOLTAGE & CURRENT	
	DC	AC			(AMPS)	(VOLTS)	VOLTS	AMPERES
71D10000	300	270	1.5	275	.25	1000	350 ±20%	.005
68D10000	150	135	1.5	275	.50	575	175 ±20%	.010
66D10000	60	54	1.5	275	1.0	305	70 ±20%	.025
63D10000	30	27	1.5	275	1.5	175	35 ±20%	.050

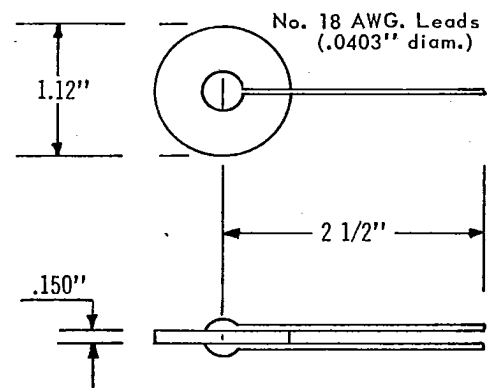
**MAXIMUM RATINGS**

Continuous Body Temperature—110°C

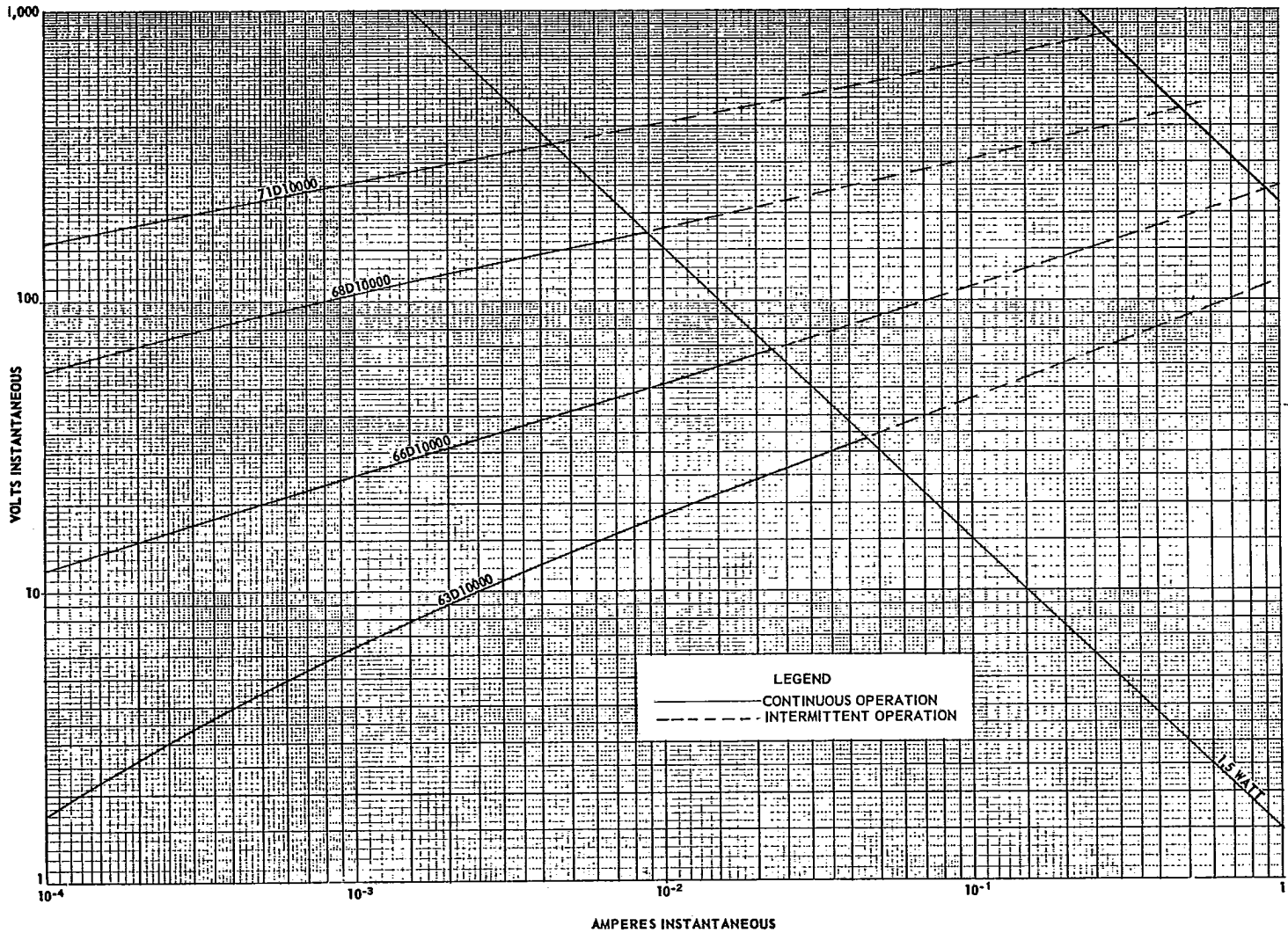
Short-time Body Temperature – 150°C

NOTE: Coated after Moisture Protection with Silicone Impregnation.

**OUTLINE DRAWING**



1.12" VARISTOR NOMINAL VOLT-AMPERE CHARACTERISTICS



**SPECIAL VARISTORS:**

To meet special applications a "non-standard" varistor may be required. Quotations will be provided for:

- Tolerances down to ±10% on resistance.*
- Voltage values other than stock standard.*
- Protective and/or Identification Coating.*
- Special Mounting or Assembly.*
- Different Lead Arrangement.*