

**Document Title**

**32Kx8 Bit High Speed Static RAM(5V Operating), Evolutionary Pin out.  
Operated at Commercial Temperature Range.**

**Revision History**

<u>Rev.No.</u>	<u>History</u>	<u>Draft Data</u>	<u>Remark</u>																		
Rev. 0.0	Initial release with Preliminary.	Apr. 1st, 1994	Preliminary																		
Rev. 1.0	Release to final Data Sheet. 1. Delete Preliminary	May 14th,1994	Final																		
Rev. 2.0	Update A.C parameters 2.1. Updated A.C parameters	Oct. 4th, 1994	Final																		
	<table border="1"> <thead> <tr> <th>Items</th> <th>Previous spec. (12/15/20ns part)</th> <th>Updated spec. (12/15/20ns part)</th> </tr> </thead> <tbody> <tr> <td>tOE</td> <td>- / 8/10ns</td> <td>- / 7 / 9 ns</td> </tr> <tr> <td>tCW</td> <td>- /12/ - ns</td> <td>- /11/ - ns</td> </tr> <tr> <td>tHZ</td> <td>8/10/10ns</td> <td>6/7/8ns</td> </tr> <tr> <td>tOHZ</td> <td>- / 8 / - ns</td> <td>- / 7 / - ns</td> </tr> <tr> <td>tDW</td> <td>- / 9 / - ns</td> <td>- / 8 / - ns</td> </tr> </tbody> </table>	Items	Previous spec. (12/15/20ns part)	Updated spec. (12/15/20ns part)	tOE	- / 8/10ns	- / 7 / 9 ns	tCW	- /12/ - ns	- /11/ - ns	tHZ	8/10/10ns	6/7/8ns	tOHZ	- / 8 / - ns	- / 7 / - ns	tDW	- / 9 / - ns	- / 8 / - ns		
Items	Previous spec. (12/15/20ns part)	Updated spec. (12/15/20ns part)																			
tOE	- / 8/10ns	- / 7 / 9 ns																			
tCW	- /12/ - ns	- /11/ - ns																			
tHZ	8/10/10ns	6/7/8ns																			
tOHZ	- / 8 / - ns	- / 7 / - ns																			
tDW	- / 9 / - ns	- / 8 / - ns																			
	2.2. Add Voh1=3.95V with the test condition as Vcc=5V±5% at 25°C																				
Rev. 3.0	3.1. Add 28-TSOP1 Package. 3.2. Add L-version. 3.3. Add Data Rentention Characteristics.	Feb. 22th, 1996	Final																		

The attached data sheets are prepared and approved by SAMSUNG Electronics. SAMSUNG Electronics CO., LTD. reserve the right to change the specifications. SAMSUNG Electronics will evaluate and reply to your requests and questions on the parameters of this device. If you have any questions, please contact the SAMSUNG branch office near your office, call or contact Headquarters.

**32K x 8 Bit High-Speed CMOS Static RAM**

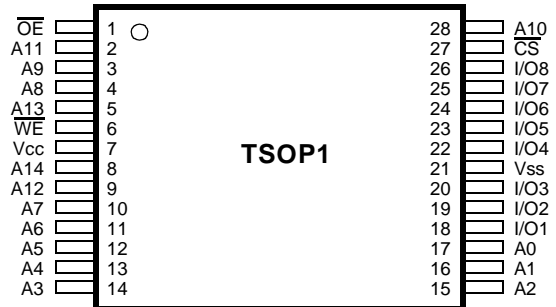
**FEATURES**

- Fast Access Time 12, 15, 20ns(Max.)
- Low Power Dissipation
  - Standby (TTL) : 40µA(Max.)
  - (CMOS) : 2µA(Max.)
  - 0.1µA(Max.)- L-ver. only
- Operating KM68257C/CL - 12 : 165µA(Max.)
- KM68257C/CL - 15 : 150µA(Max.)
- KM68257C/CL - 20 : 140µA(Max.)
- Single 5.0V±10% Power Supply
- TTL Compatible Inputs and Outputs
- I/O Compatible with 3.3V Device
- Fully Static Operation
  - No Clock or Refresh required
- Three State Outputs
- Low Data Retention Voltage : 2V(Min.)- L-ver. only
- Standard Pin Configuration
  - KM68257C/CLP : 28-DIP-300
  - KM68257C/CLJ : 28-SOJ-300
  - KM68257C/CLTG : 28-TSOP1-0813, 4F

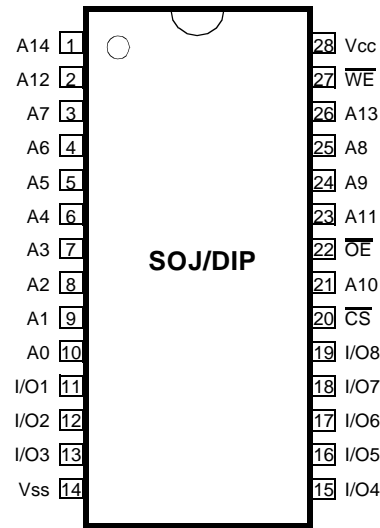
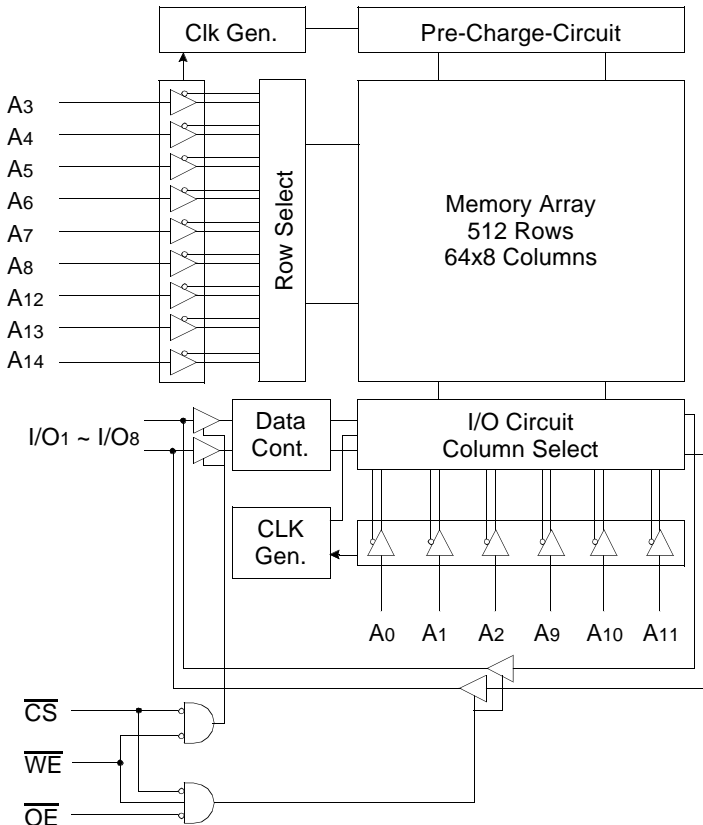
**GENERAL DESCRIPTION**

The KM68257C is a 262,144-bit high-speed Static Random Access Memory organized as 32,768 words by 8 bits. The KM68257C uses 8 common input and output lines and has an output enable pin which operates faster than address access time at read cycle. The device is fabricated using SAMSUNG's advanced CMOS process and designed for high-speed circuit technology. It is particularly well suited for use in high-density high-speed system applications. The KM68257C is packaged in a 300 mil 28-pin plastic DIP, SOJ or TSOP1 forward.

**PIN CONFIGURATION (Top View)**



**FUNCTIONAL BLOCK DIAGRAM**



**PIN FUNCTION**

Pin Name	Pin Function
A0 - A14	Address Inputs
WE	Write Enable
CS	Chip Select
OE	Output Enable
I/O1 ~ I/O8	Data Inputs/Outputs
Vcc	Power(+5.0V)
Vss	Ground

**ABSOLUTE MAXIMUM RATINGS\***

Parameter	Symbol	Rating	Unit
Voltage on Any Pin Relative to Vss	VIN, VOUT	-0.5 to 7.0	V
Voltage on Vcc Supply Relative to Vss	VCC	-0.5 to 7.0	V
Power Dissipation	PD	1.0	W
Storage Temperature	TSTG	-65 to 150	°C
Operating Temperature	TA	0 to 70	°C

\* Stresses greater than those listed under "Absolute Maximum Rating" may cause permanent damage to the device. This is a stress rating only and functional operation of the device at these or any other conditions above those indicated in the operating sections of this specification is not implied. Exposure to absolute maximum rating conditions for extended periods may affect reliability.

**RECOMMENDED DC OPERATING CONDITIONS(TA=0 to 70°C)**

Parameter	Symbol	Min	Typ	Max	Unit
Supply Voltage	VCC	4.5	5.0	5.5	V
Ground	VSS	0	0	0	V
Input Low Voltage	VIH	2.2	-	VCC+0.5**	V
Input Low Voltage	VIL	-0.5*	-	0.8	V

\* VIL(Min) = -2.0(Pulse Width ≤ 10ns) for I ≤ 20 mA

\*\* VIH(Max) = VCC+2.0V(Pulse Width ≤ 10ns) for I ≤ 20 mA

**DC AND OPERATING CHARACTERISTICS(TA=0 to 70°C, VCC=5.0V±10% unless otherwise specified)**

Parameter	Symbol	Test Conditions	Min	Max	Unit	
Input Leakage Current	ILI	VIN = VSS to VCC	-2	2	μA	
Output Leakage Current	ILO	$\overline{CS}=V_{IH}$ or $\overline{OE}=V_{IH}$ or $\overline{WE}=V_{IL}$ VOUT = VSS to VCC	-2	2	μA	
Operating Current	ICC	Min. Cycle, 100% Duty CS=VIL, VIN = VIH or VIL, IOUT=0mA	12ns	-	165	mA
			15ns	-	150	
			20ns	-	140	
Standby Current	ISB	Min. Cycle, $\overline{CS}=V_{IH}$	-	40	mA	
	ISB1	f=0MHz, $\overline{CS} \geq V_{CC}-0.2V$ , VIN ≥ VCC-0.2V or VIN ≤ 0.2V	Normal	2		mA
L-ver			0.1			
Output Low Voltage Level	VOL	IOL=8mA	-	0.4	V	
Output High Voltage Level	VOH	Ioh=-4mA	2.4	-	V	
	VOH1*	Ioh1=0.1mA	-	3.95	V	

\* VCC=5.0V±5% Temp.=25°C

**CAPACITANCE\*(TA =25°C, f=1.0MHz)**

Item	Symbol	Test Conditions	MIN	Max	Unit
Input/Output Capacitance	C1/O	V1/O=0V	-	8	pF
Input Capacitance	CIN	VIN=0V	-	7	pF

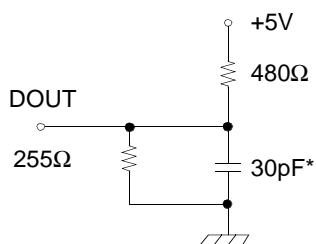
\* NOTE : Capacitance is sampled and not 100% tested.

## AC CHARACTERISTICS (TA=0 to 70°C, VCC=5.0V±10%, unless otherwise noted.)

### TEST CONDITIONS

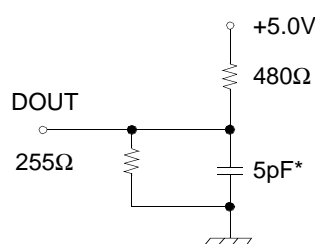
Parameter	Value
Input Pulse Levels	0V to 3V
Input Rise and Fall Times	3SÀ
Input and Output timing Reference Levels	1.5V
Output Loads	See below

Output Loads(A)



Output Loads(B)

for tHZ, tLZ, tWHZ, tOW, tOLZ & tOHZ



\* Including Scope and Jig Capacitance

### READ CYCLE

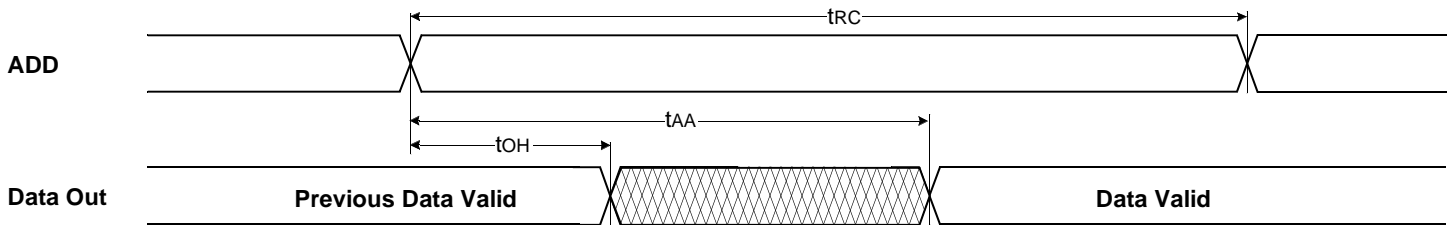
Parameter	Symbol	KM68257C/CL-12		KM68257C/CL-15		KM68257C/CL-20		Unit
		Min	Max	Min	Max	Min	Max	
Read Cycle Time	tRC	12	-	15	-	20	-	SÀ
Address Access Time	tAA	-	12	-	15	-	20	SÀ
Chip Select to Output	tCO	-	12	-	15	-	20	SÀ
Output Enable to Valid Output	tOE	-	6	-	7	-	9	SÀ
Chip Enable to Low-Z Output Access	tLZ	3	-	3	-	3	-	SÀ
Output Enable to Low-Z Output	tOLZ	0	-	0	-	0	-	SÀ
Chip Disable to High-Z Output	tHZ	0	6	0	7	0	10	SÀ
Output Disable to High-Z Output	tOHZ	0	6	0	7	0	10	SÀ
Output Hold from Address Change	tOH	3	-	3	-	3	-	SÀ
Chip Selection to Power Up Time	tPU	0	-	0	-	0	-	SÀ
Chip Selection to Power DownTime	tPD	-	12	-	15	-	20	SÀ

**WRITE CYCLE**

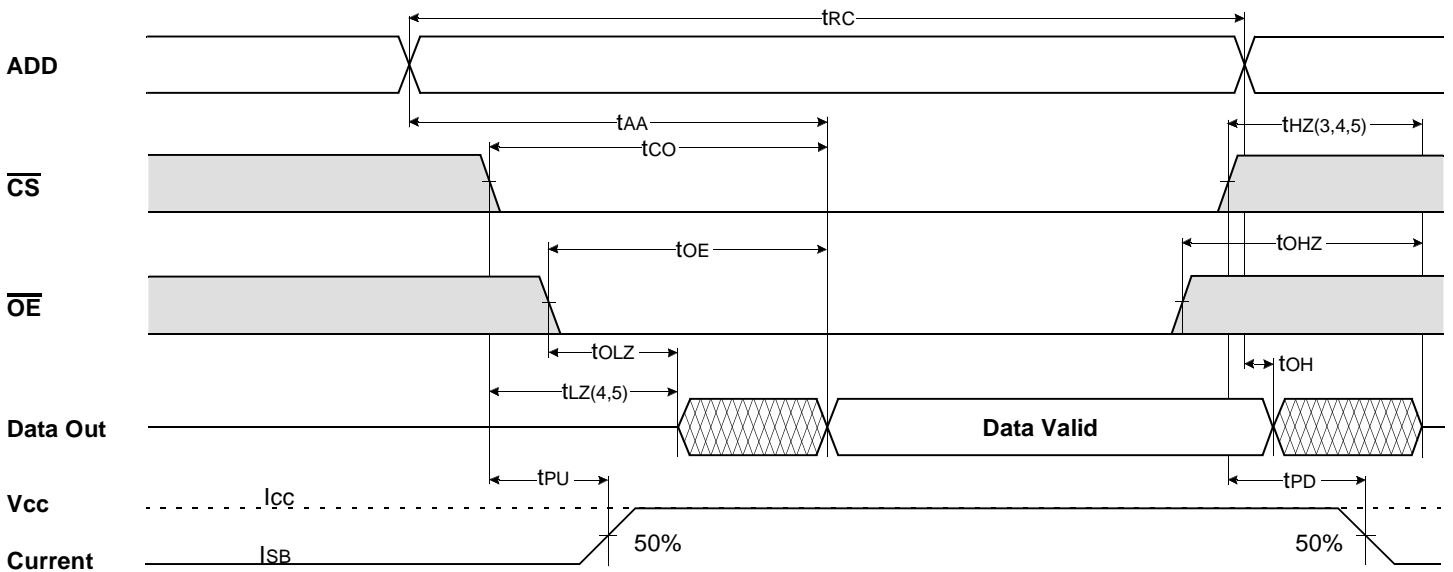
Parameter	Symbol	KM68257C/CL-12		KM68257C/CL-15		KM68257C/CL-20		Unit
		Min	Max	Min	Max	Min	Max	
Write Cycle Time	tWC	12	-	15	-	20	-	SA
Chip Select to End of Write	tCW	9	-	11	-	13	-	SA
Address Setup Time	tAS	0	-	0	-	0	-	SA
Address Valid to End of Write	tAW	9	-	12	-	13	-	SA
Write Pulse Width( $\overline{OE}$ High)	tWP	9	-	12	-	13	-	SA
Write Pulse Width( $\overline{OE}$ Low)	tWP1	12	-	15	-	20	-	SA
Write Recovery Time	tWR	0	-	0	-	0	-	SA
Write to Output High-Z	tWHZ	0	6	0	8	0	8	SA
Data to Write Time Overlap	tDW	7	-	8	-	10	-	SA
Data Hold from Write Time	tDH	0	-	0	-	0	-	SA
End Write to Output Low-Z	tOW	0	-	0	-	0	-	SA

**TIMING DIAGRAMS**

**TIMING WAVE FORM OF READ CYCLE(1)**Address Controlled,  $\overline{CS}=\overline{OE}=V_{IL}$ ,  $\overline{WE}=V_{IH}$



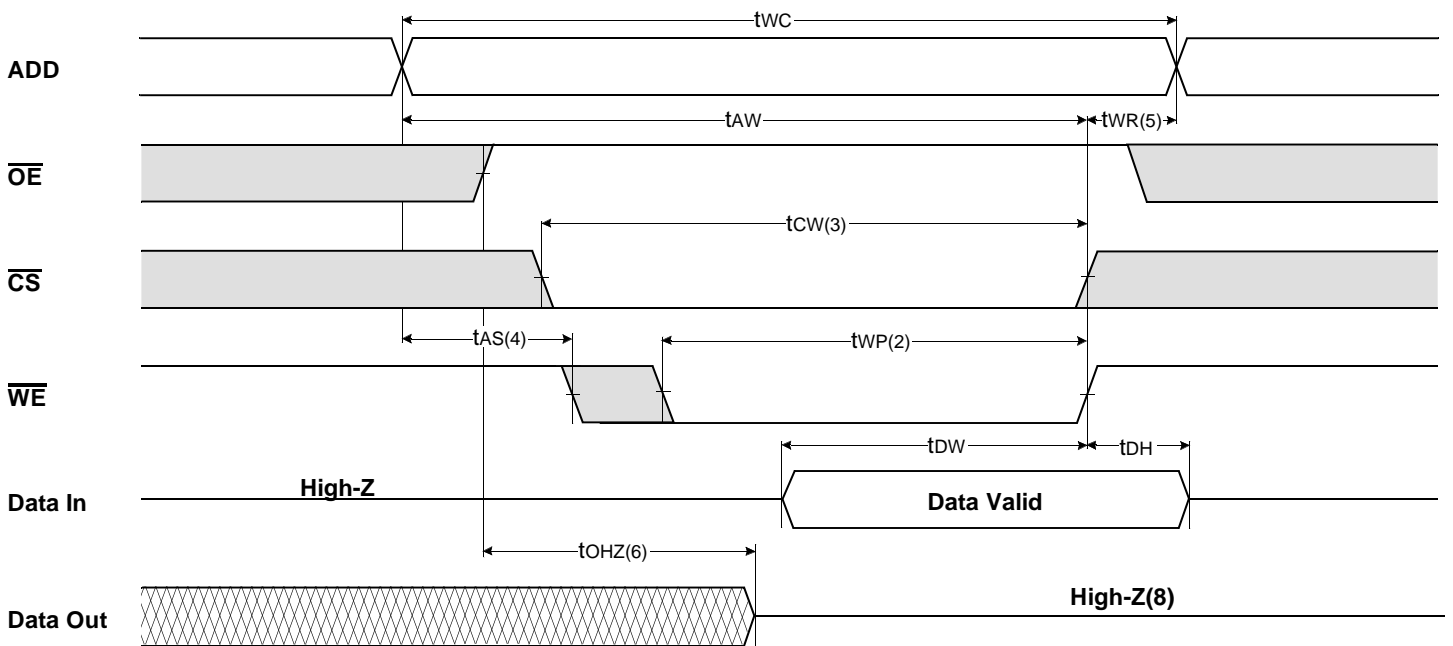
TIMING WAVE FORM OF READ CYCLE(2)  $\overline{WE}=V_{IH}$



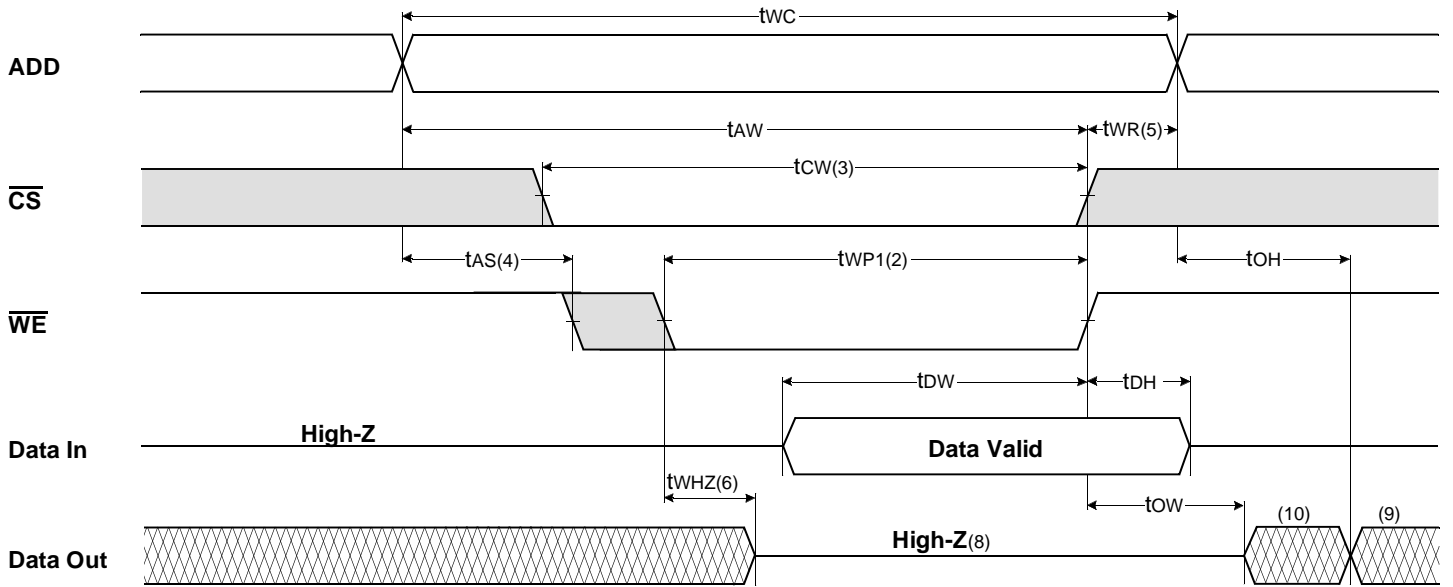
NOTES(READ CYCLE)

1.  $\overline{WE}$  is high for read cycle.
2. All read cycle timing is referenced from the last valid address to the first transition address.
3. tHZ and tOHZ are defined as the time at which the outputs achieve the open circuit condition and are not referenced to  $V_{OH}$  or  $V_{OL}$  Levels.
4. At any given temperature and voltage condition, tHZ(Max.) is less than tLZ(Min.) both for a given device and from device to device.
5. Transition is measured  $\pm 200\text{SE}$  from steady state voltage with Load(B). This parameter is sampled and not 100% tested.
6. Device is continuously selected with  $\overline{CS}=V_{IL}$ .
7. Address valid prior to coincident with  $\overline{CS}$  transition low.
8. For common I/O applications, minimization or elimination of bus contention conditions is necessary during read and write cycle.

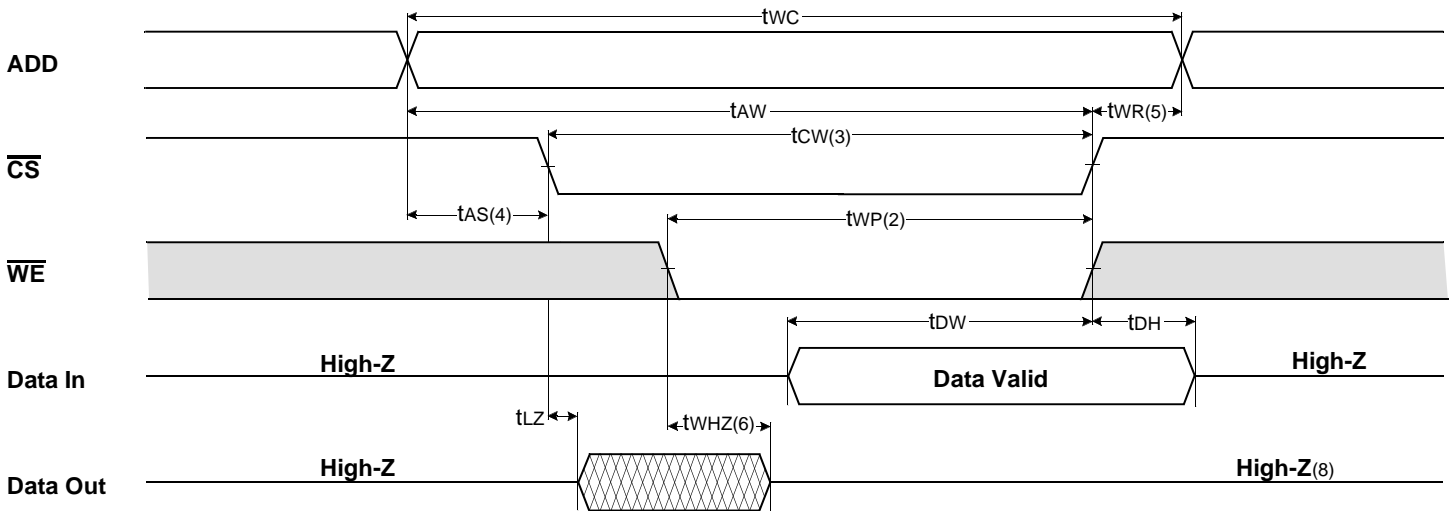
TIMING WAVE FORM OF WRITE CYCLE(1)  $\overline{OE}=\text{Clock}$



TIMING WAVE FORM OF WRITE CYCLE(2)  $\overline{OE}$ =Low Fixed



TIMING WAVE FORM OF WRITE CYCLE(3)  $\overline{CS}$ =Controlled



## NOTES(WRITE CYCLE)

1. All write cycle timing is referenced from the last valid address to the first transition address.
2. A write occurs during the overlap of a low  $\overline{CS}$  and  $\overline{WE}$ . A write begins at the latest transition  $\overline{CS}$  going low and  $\overline{WE}$  going low ; A write ends at the earliest transition  $\overline{CS}$  going high or  $\overline{WE}$  going high.  $t_{wp}$  is measured from the beginning of write to the end of write.
3.  $t_{cw}$  is measured from the later of  $\overline{CS}$  going low to end of write.
4.  $t_{as}$  is measured from the address valid to the beginning of write.
5.  $t_{wr}$  is measured from the end of write to the address change.  $t_{wr}$  applied in case a write ends as  $\overline{CS}$  or  $\overline{WE}$  going high.
6. If  $\overline{OE}$ ,  $\overline{CS}$  and  $\overline{WE}$  are in the Read Mode during this period, the I/O pins are in the output low-Z state. Inputs of opposite phase of the output must not be applied because bus contention can occur.
7. For common I/O applications, minimization or elimination of bus contention conditions is necessary during read and write cycle.
8. If  $\overline{CS}$  goes low simultaneously with  $\overline{WE}$  going or after  $\overline{WE}$  going low, the outputs remain high impedance state.
9. Dout is the read data of the new address.
10. When  $\overline{CS}$  is low : I/O pins are in the output state. The input signals in the opposite phase leading to the output should not be applied.

## FUNCTIONAL DESCRIPTION

$\overline{CS}$	$\overline{WE}$	$\overline{OE}$	Mode	I/O Pin	Supply Current
H	X	X*	Not Select	High-Z	$I_{SB}, I_{SB1}$
L	H	H	Output Disable	High-Z	$I_{CC}$
L	H	L	Read	DOUT	$I_{CC}$
L	L	X	Write	DIN	$I_{CC}$

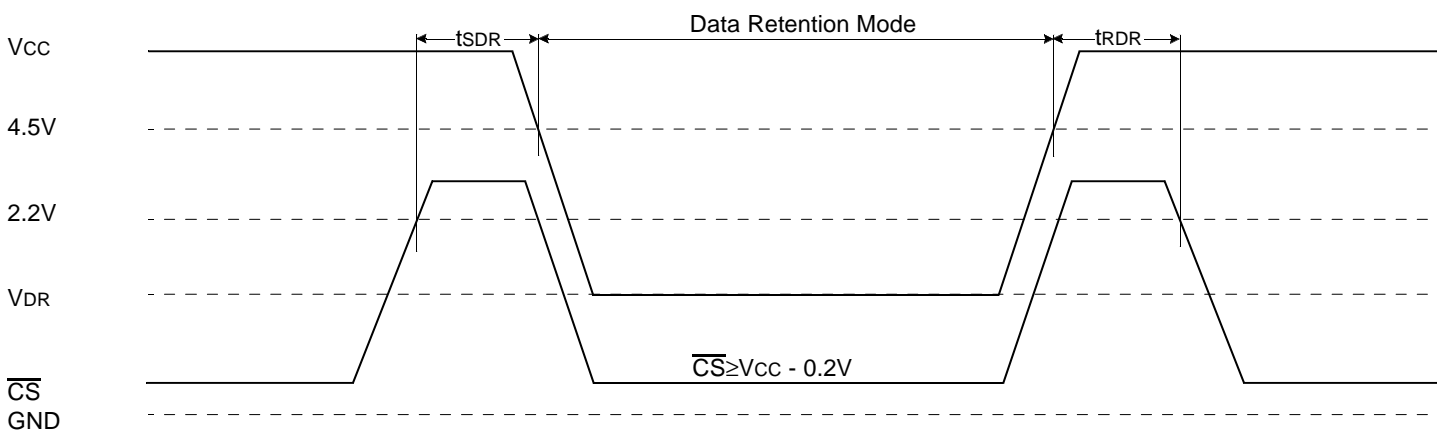
\* NOTE : X means Don't Care.

## DATA RETENTION CHARACTERISTICS\*( $T_A = 0$ to $70^\circ\text{C}$ )

Parameter	Symbol	Test Condition	Min.	Typ.	Max.	Unit
Vcc for Data Retention	VDR	$\overline{CS} \geq V_{CC} - 0.2V$	2.0	-	5.5	V
Data Retention Current	$I_{DR}$	$V_{CC} = 3.0V, \overline{CS} \geq V_{CC} - 0.2V$ $V_{IN} \geq V_{CC} - 0.2V$ or $V_{IN} \leq 0.2V$	-	-	0.07	$\mu\text{A}$
Data Retention Set-Up Time	$t_{SDR}$	See Data Retention Wave form(below)	0	-	-	ns
Recovery Time	$t_{RDR}$		5	-	-	ms

\* L-Ver only.

## DATA RETENTION WAVE FORM( $\overline{CS}$ Controlled)

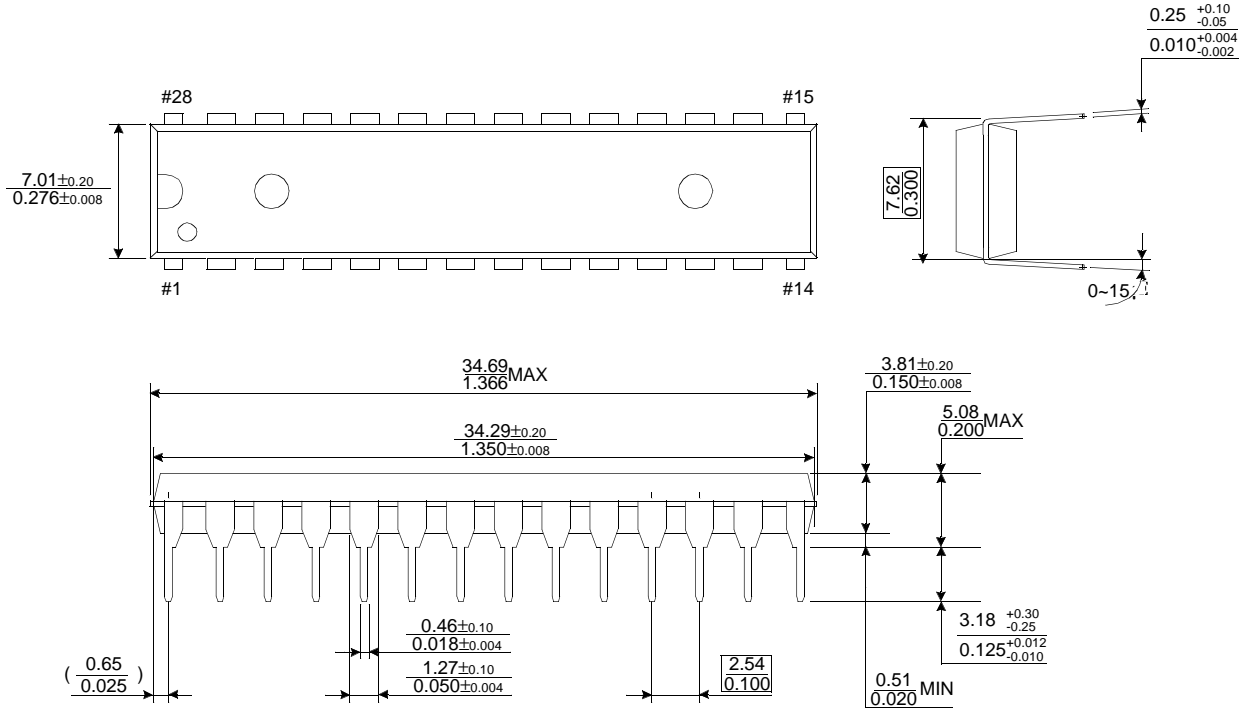




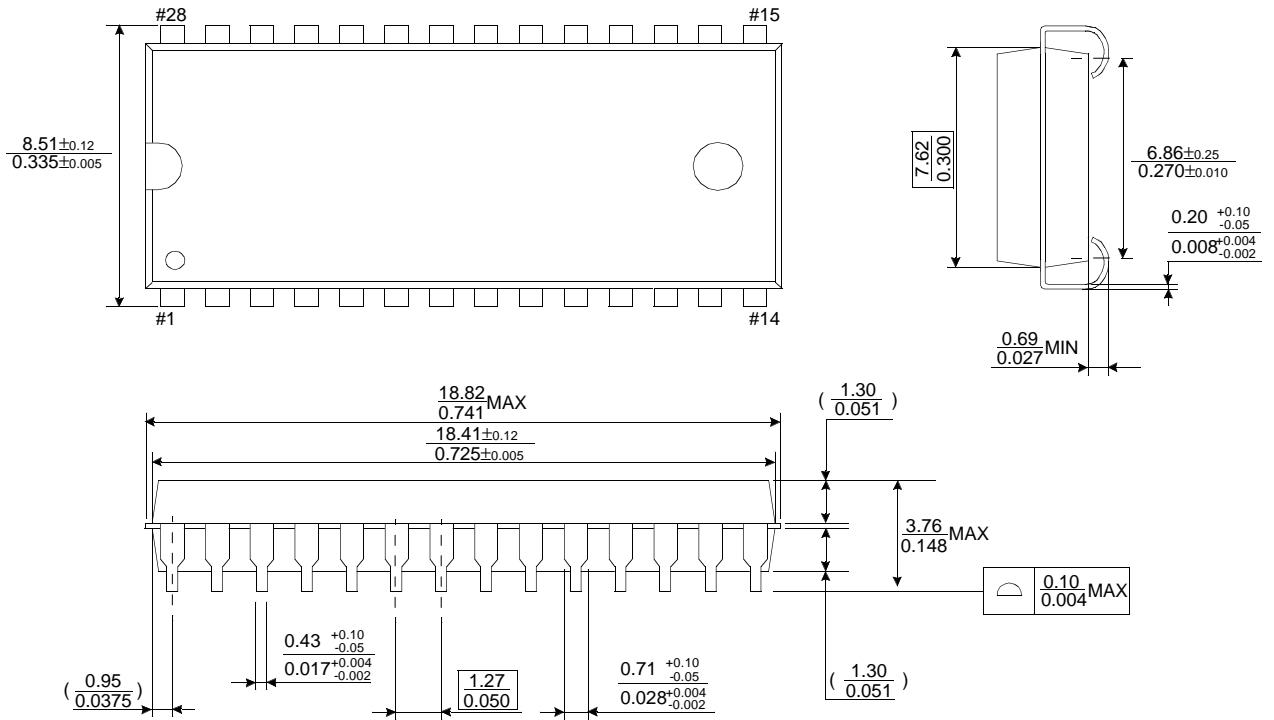
PACKAGE DIMENSIONS

28-DIP-300

Units : Inches (millimeters)



28-SOJ-300



PACKAGE DIMENSIONS

28-TSOP1-0813.4F

Units : Inches (millimeters)

