

~~This Page Intentionally Left Blank~~



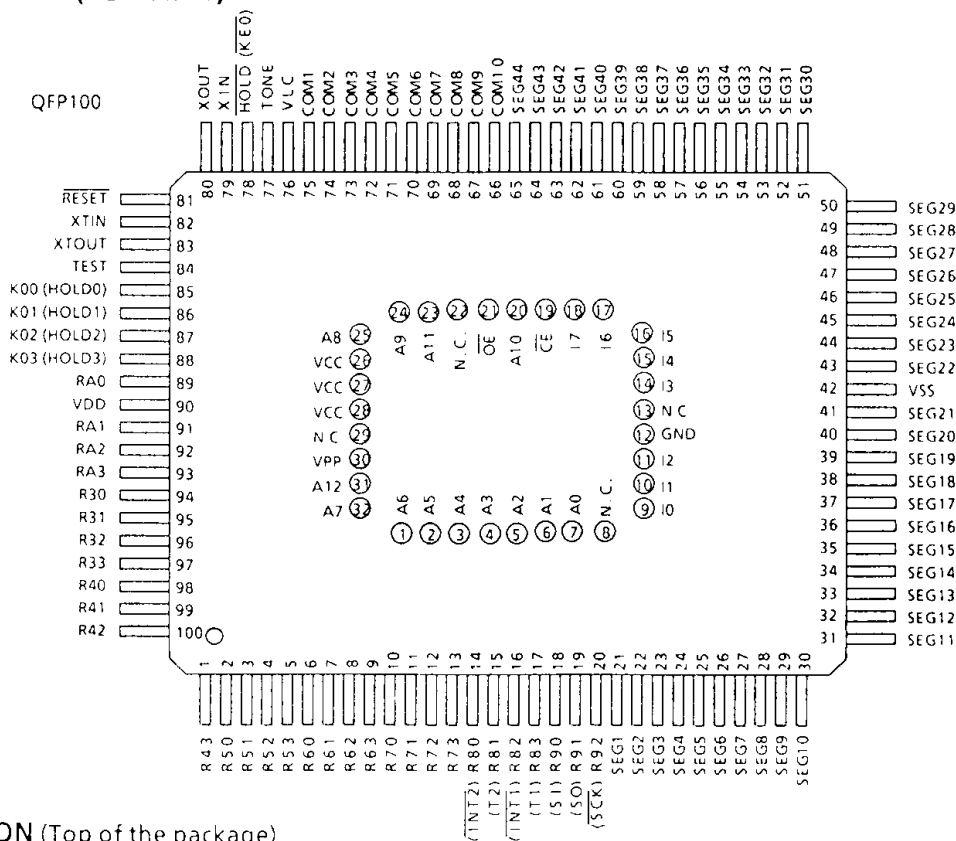
CMOS 4-BIT MICROCONTROLLER

TMP47C058G

The 47C058, which is equipped with an EPROM as program memory, is a piggyback type evaluator chip used for development and operational confirmation of the 47C858 application systems (programs).

The 47C058 is pin compatible with the 47C858 which is mask-programmed ROM device. The 47C058 which is equipped with an EPROM written the program operates like the 47C858.

PIN ASSIGNMENT (TOP VIEW)



PIN FUNCTION (Top of the package)

PIN NAME	Input / Output	FUNCTIONS
A12 - A0	Output	Program memory address output
I7 - I0	Input	Program memory data input
\overline{CE}	Output	Chip enable signal output
\overline{OE}		Output enable signal output
VCC	Power supply	+ 5V (connected with VDD)
GND		0V (connected with VSS)

A.C. CHARACTERISTICS

PARAMETER	SYMBOL	CONDITIONS	Min.	Typ.	Max.	UNIT
Address Delay Time	t_{AD}	$V_{SS} = 0V, V_{DD} = 2.7 \text{ to } 6.0V$	—	—	150	ns
Data Setup Time	t_{IS}	$C_L = 100pF$	150	—	—	ns
Data Hold Time	t_{IH}	$T_{opr} = -30 \text{ to } 60 \text{ }^\circ\text{C}$	50	—	—	ns

NOTES FOR USE

(1) Program memory

The program area depends on the capacity of EPROM. See Figure 1.

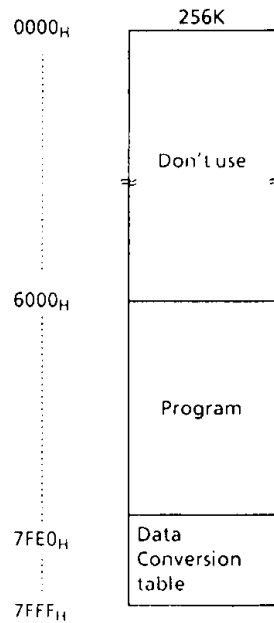


Figure 1. Program area

(2) I/O ports

Input/Output circuitries of I/O ports in the 47C058 are similar to the code WB of the 47C858.

When this chip is used as evaluator with other I/O code (WE and WH), it is necessary to provide the external resistors (See Figure 2).

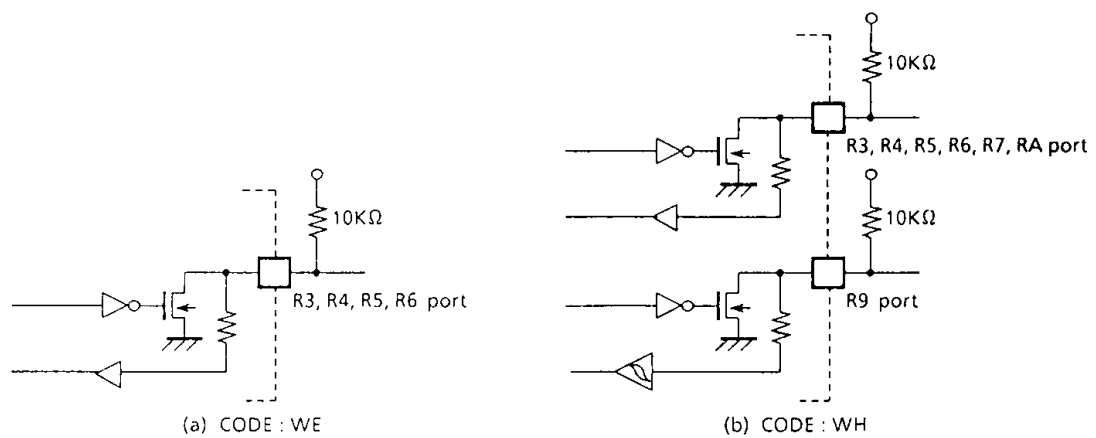


Figure 2. I/O code and external circuitry