

INTERRUPTERS OTS-80 SERIES

Opto Technology's OTS-80 series includes the same conditioning and options as the OTS-40 series and features a silicon photodiode detector. With this series, non-contact switching is provided at up to 80,000 operations per second.

ELECTRICAL CHARACTERISTICS (25° unless otherwise noted)

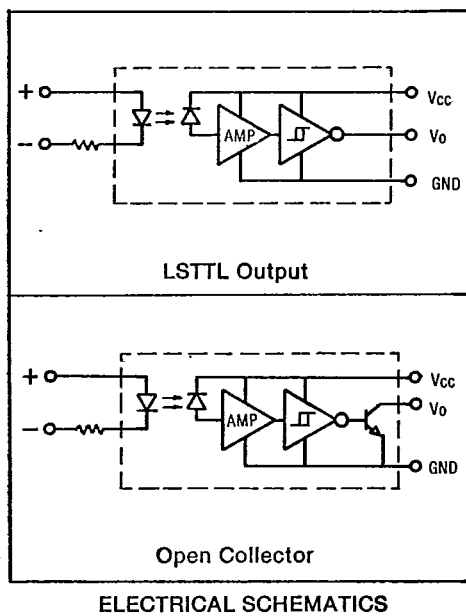
PARAMETER	TEST CONDITIONS	LSTTL OUTPUT			OPEN COLLECTOR			UNIT
		MIN.	TYP.	MAX.	MIN.	TYP.	MAX.	
V _{OH} High-Level Output Voltage	V _{CC} = 4.75 V, I _{OH} = 400 μA	2.7	3.4					V
V _{OL} Low-Level Output Voltage	V _{CC} = 4.75 V, I _{OL} = 8 mA		.34	.5				V
I _{OH} Low-Level Output Current				.400				μA
I _{OL} Low-Level Output Current				8				mA
V _{CE (SAT)} Collector-Emitter Saturation Voltage	I _C = 100 mA					.3		V
V _{CEO} Collector-Emitter Breakdown Voltage	I _C = 10 mA				40			V
t _r & t _f Rise and Fall Time*	C _L = 15 pF, R _L = 2KΩ		15	22	60	150		nS
V _{CC} Supply Voltage		4.75	5	5.25	4.75	5	5.25	V
I _{CC} Supply Current	V _{CC} = 5.25 V		15	25		15	25	mA
Hysteresis			10			10		%

*Output to Ground

LED EMITTER	MIN.	TYP.	MAX.	UNIT
V _F Forward Voltage @ I _C = 50 mA		1.3	1.8	V
I _F Continuous Forward Current		35	50	mA

ABSOLUTE MAXIMUM RATINGS

Supply Voltage, V_{CC} -5 to 7V
 Operating Temperature Range 0°C to 70°C
 Storage Temperature Range -55°C to 100°C
 Power Dissipation 300mW



PART NUMBER INFORMATION

OTS - 8X - X X

(1) = Package type (1 or 2)
 (2) L = LSTTL Output
 C = Open Collector Output
 (3) P = Logic Level High (No Interruption)
 N = Logic Level Low (No Interruption)