

MB88353

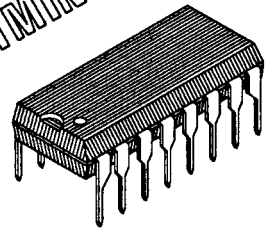
R-2R Type 12-Bit D/A Converter

The Fujitsu MB88353 is an R-2R type 12-bit resolution digital-to-analog converter (DAC). It is designed to interface with a wide range of general 4-bit and 8-bit microcontrollers including Fujitsu's MB88200 family, MB8850 family, and MB88500 family of 4-bit single-chip microcontrollers.

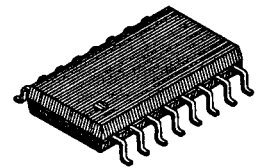
The MB88353 has a 12-bit x 4-channel D/A converter. Digital data are input serially by individual channel units. The loaded digital data are converted into analog DC voltages by the D/A converter in maximum 60 μ s settling time. The MB88353 is suitable for use in electronic volume controllers, as a replacement for adjustable potentiometers, and in typical D/A converter applications.

- Conversion method: R-2R resistor ladder
- 12-bit x 4-channel D/A converter
- Maximum 2.5 MHz serial data input
- Serial data output for cascade connection
- Pin compatible with MB88351
- Maximum 60 μ s DAC output settling time
- Two separate power supply/ground lines for MCU interface block and D/A converter block
- Single +5 V power supply
- Power consumption: Typical 0.7 mW/channel
- Wide operating temperature range: -20°C to $+85^{\circ}\text{C}$
- Silicon-gate CMOS process
- Package and ordering information:
 - 16-pin plastic DIP, order as MB88353P
 - 16-pin plastic SOP, order as MB88353PF
 - 20-pin plastic shrink SOP, order as MB88353PVF

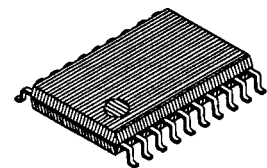
PRELIMINARY



Plastic DIP
(DIP-16P-M04)



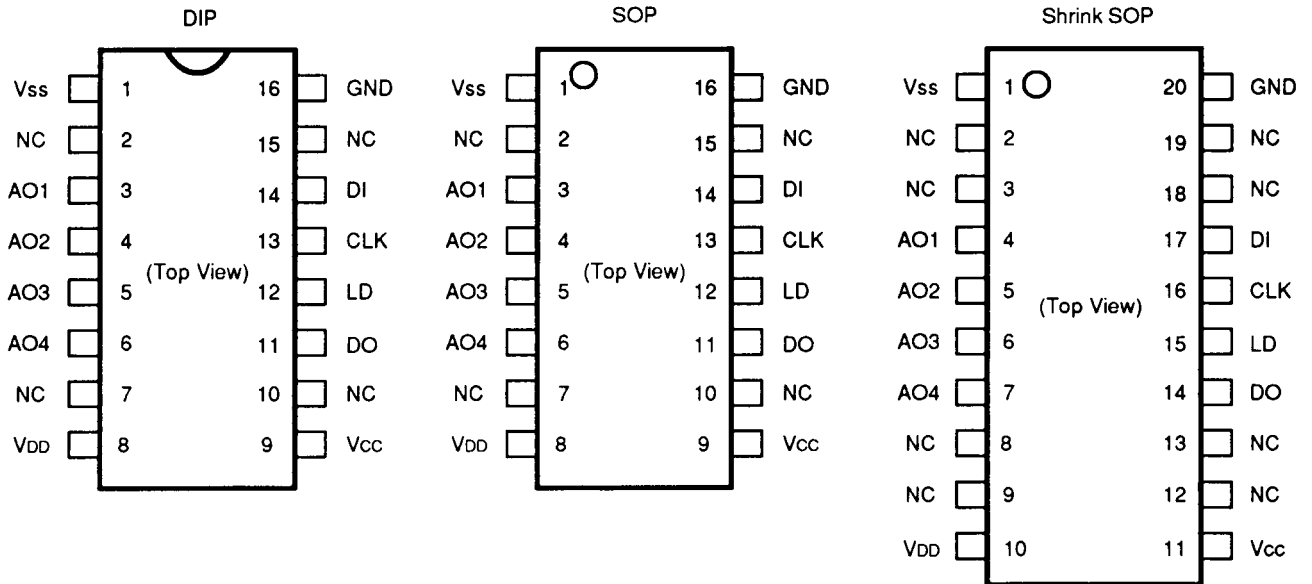
Plastic SOP
(FPT-16P-M06)



Plastic Shrink SOP
(FPT-20P-M03)

This device contains circuitry to protect the inputs against damage due to high static voltages or electric fields. However, it is advised that normal precautions be taken to avoid application of any voltage higher than maximum rated voltages to this high impedance circuit.

Figure 1 Pin Assignment



Note:
NC : No connection

Figure 2 Logic Symbol

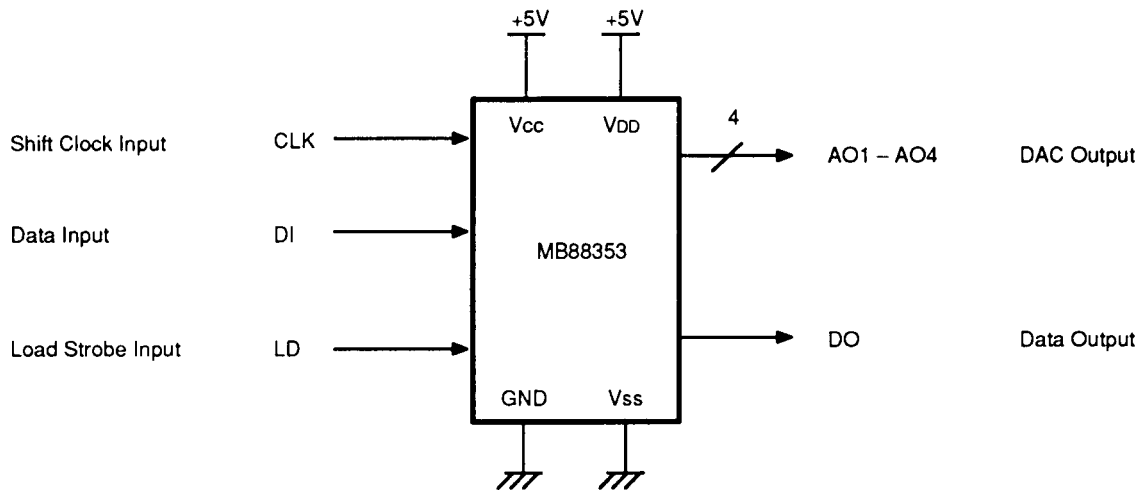
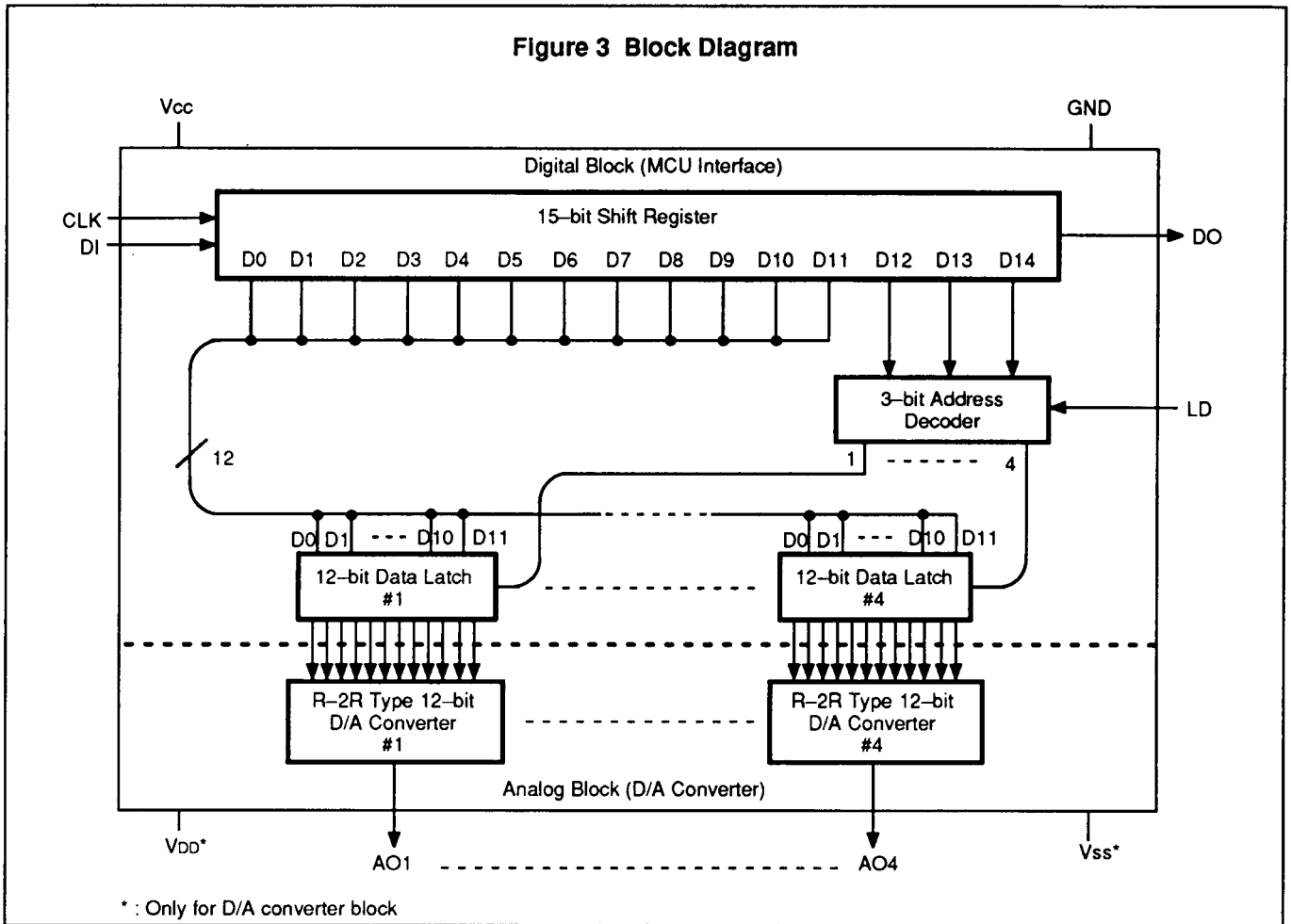


Figure 3 Block Diagram



PIN DESCRIPTION

Figure 1 and Table 1 show the pin assignment and pin description of the MB88353.

Table 1 Pin Description

| Symbol | Pin No. | | Type | Name & Function |
|--------------------------|--------------|----------------------------|------|---|
| | DIP/SOP | SSOP | | |
| Power Supply | | | | |
| Vcc | 9 | 11 | – | +5V DC power supply pin for the digital block (MCU interface). |
| GND | 16 | 20 | – | Ground pin for the digital block (MCU interface). |
| VDD | 8 | 10 | – | DC power supply pin for the analog block (D/A converter). |
| Vss | 1 | 1 | – | Ground pin for the analog block (D/A converter). |
| Control Input | | | | |
| CLK | 13 | 16 | I | Shift clock input to the internal 15-bit shift register: At the rising edge of CLK data on the DI pin is shifted into the LSB of the shift register and contents of the shift register are shifted right (to the MSB). |
| LD | 12 | 15 | I | Load strobe input for a 15-bit address/data : A high level on the LD pin latches a 3-bit address (upper 3 bits: D14 to D12) of the internal 15-bit shift register into the internal address decoder, and writes 12-bit data (lower 12 bits: D11 to D0) of the shift register into an internal data latch selected by the latched address. |
| Data Input/Output | | | | |
| DI | 14 | 17 | I | Serial address/data input to the internal 15-bit shift register: The address/data format is that upper 3 bits (D14 to D12) indicate an address and lower 12 bits (D11 to D0) indicate data. The D14 (MSB) is the first-in bit and D0 (LSB) is the last-in bit. |
| DO | 11 | 14 | O | Serial address/data output from the internal 15-bit shift register: This is an output pin of the MSB bit data of the 15-bit shift register. This pin allows a cascade connection of the device. |
| DAC Output | | | | |
| AO1 | 3 | 4 | O | 12-bit resolution D/A converter outputs : 4 channels (AO1 to AO4) of DAC outputs are provided. |
| AO2 | 4 | 5 | | |
| AO3 | 5 | 6 | | |
| AO4 | 6 | 7 | | |
| Others | | | | |
| NC | 2, 7, 10, 15 | 2, 3, 8, 9, 12, 13, 18, 19 | – | No connection. They must be left open. |

FUNCTIONAL DESCRIPTION

OVERVIEW

The MB88353 is an R-2R resistor ladder type, 12-bit resolution digital-to-analog converter (DAC) device. The MB88353 has 4 channels of D/A converters. 12-bit digital data are loaded into internal data latches by individual DAC channel units. The loaded digital data are converted into analog DC voltages through the internal D/A converter in max. 60 μ s settling time. For cascade connection, a serial data output is provided.

DEVICE CONFIGURATION

As illustrated in Figure 3, the MB88346B block diagram, the device is comprised of the digital block (MCU interface) and the analog block (D/A converter). The digital block consists of a 12-bit shift register, a 4-bit address decoder, and 12 channels of 8-bit data latches. The analog block includes 12 channels of 8-bit D/A converters. For electrically stable operation the power supply and ground lines are separate between the digital block (MCU interface) operational amplifier output buffers, and the analog block, except for the operational amplifier output buffers.

DEVICE OPERATION

Figure 4 shows the input/output timing. A 15-bit address/data is serially input into the shift register through the DI pin synchronously with the rising edge of CLK. The format of the shift register is shown in Figure 5. The lower 12 bits (D11 to D0) are data bits to be converted, and the upper 3 bits (D14 to D12) are address bits (D14 to D12) to select a data latch to be written. A high level on the LD pin loads the address decoder with the 3-bit address to select a data latch, and writes the 12-bit data into a selected data latch. Figure 6 shows the data latch address map, and Table 2 lists the address decoding. 12-bit data written into individual data latches are converted into analog DC voltages, dividing the supply voltage $|V_{DD}-V_{SS}|$ through R-2R resistor ladders of D/A converters. Figure 7 shows a configuration of the R-2R resistor ladder D/A converter, and Table 3 lists the analog DC voltages corresponding to each digital data.

Figure 4 Input/Output Timing

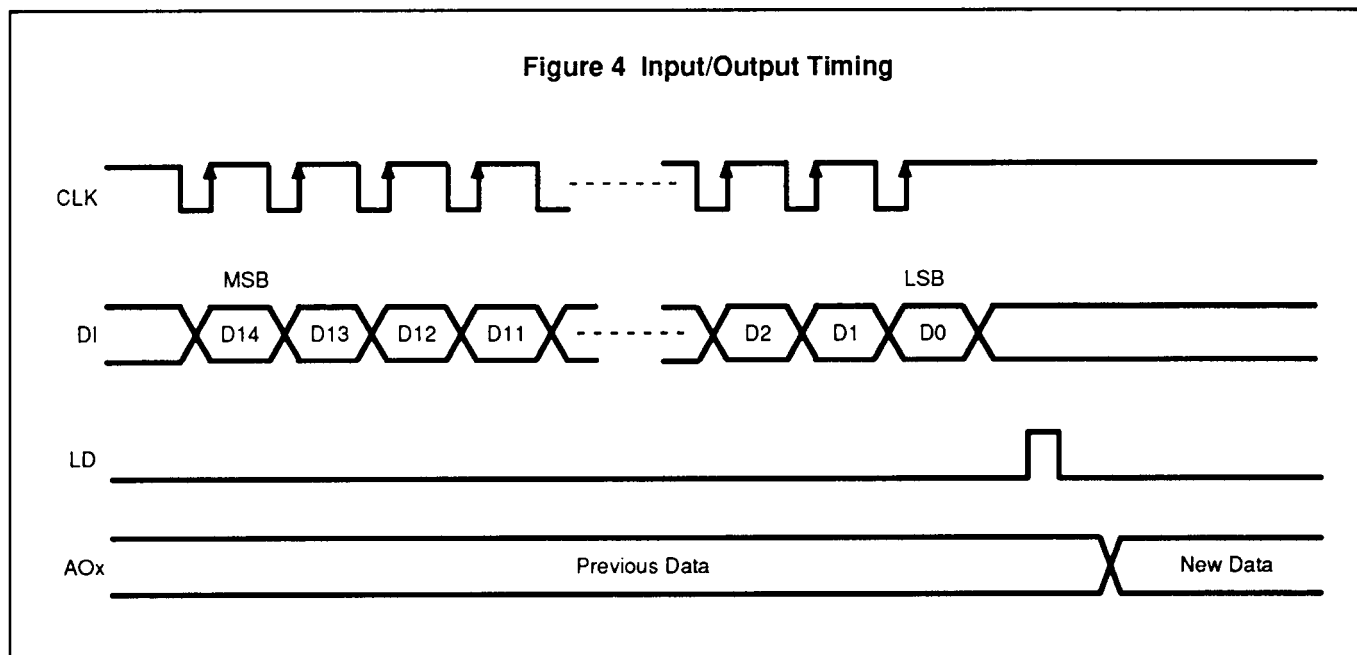


Figure 5 Shift Register Format

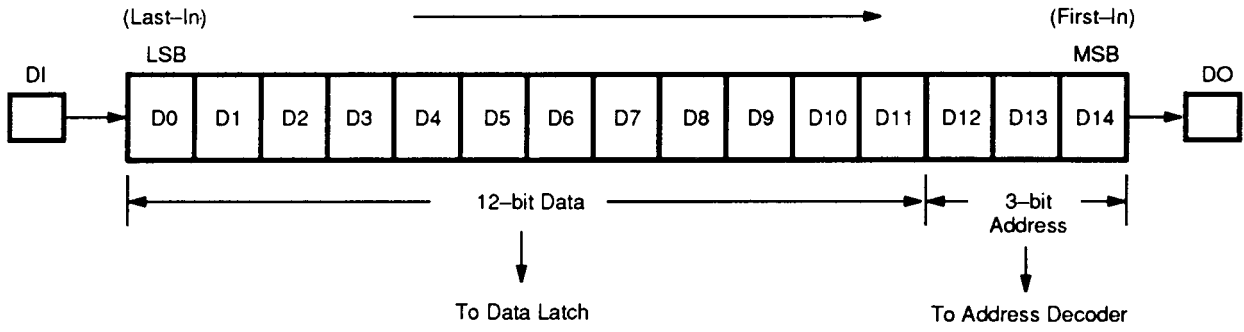


Figure 6 Data Latch Address Map

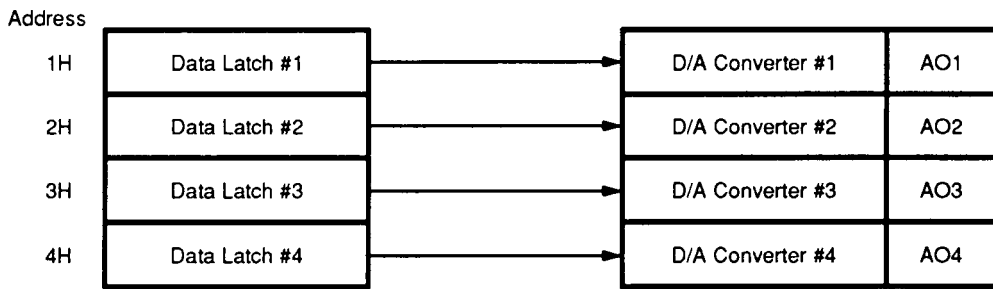


Figure 7 Configuration of R-2R Resistor Ladder D/A Converter

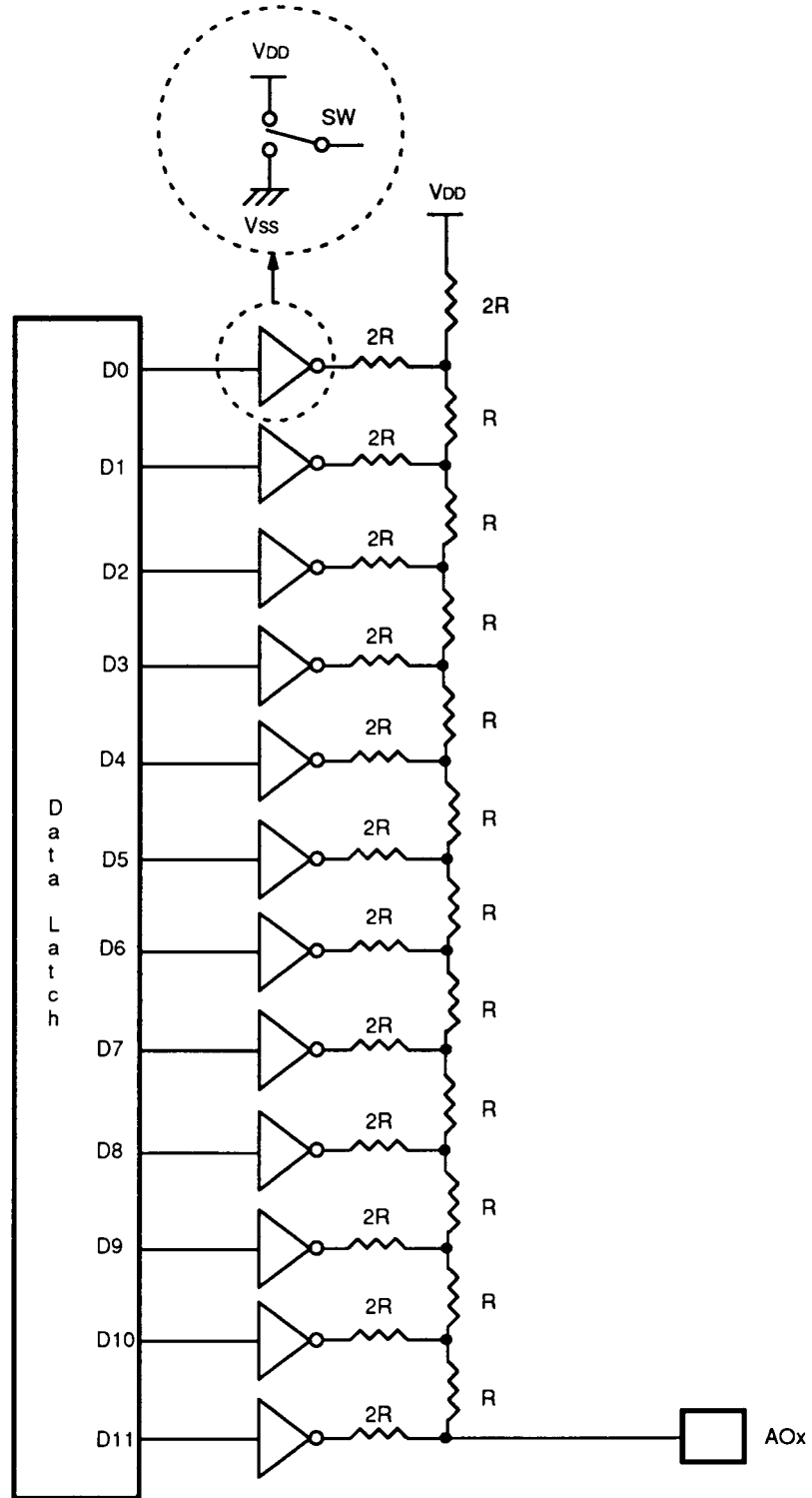


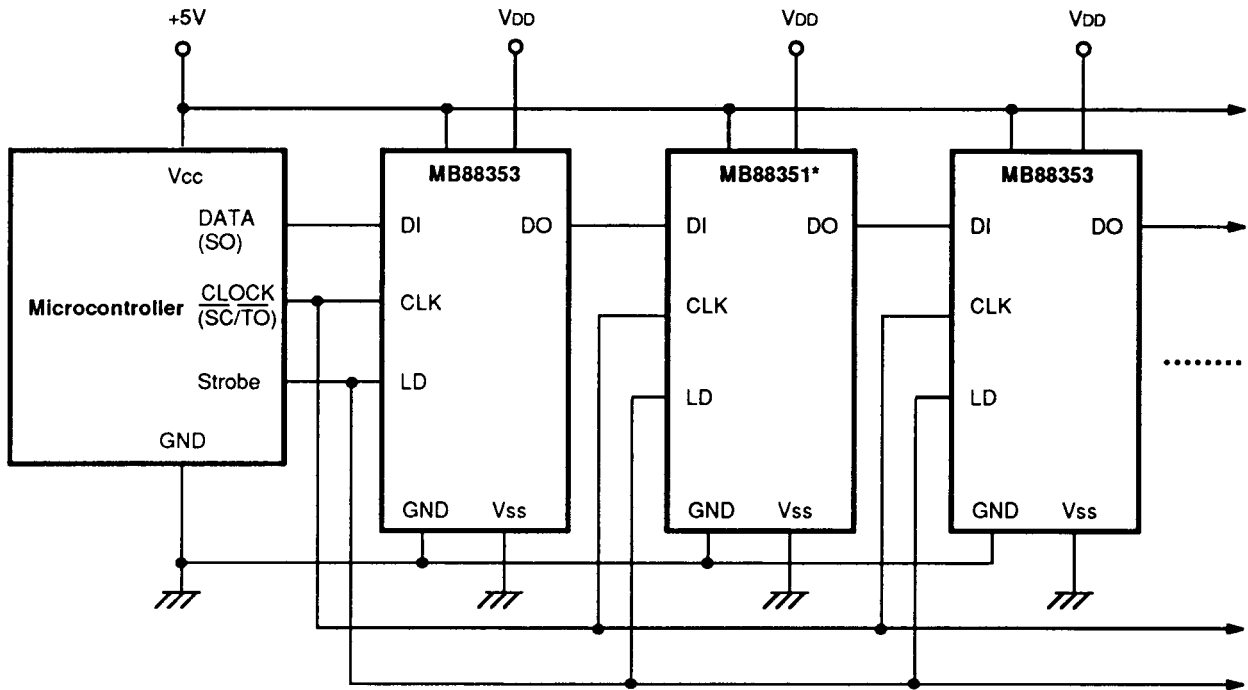
Table 2 Address Decoding

| Address | | | Data Latch Selected |
|---------|-----|-----|---------------------|
| D12 | D13 | D14 | MB88353 |
| 0 | 0 | 0 | Deselected |
| 0 | 0 | 1 | Data Latch #1 |
| 0 | 1 | 0 | Data Latch #2 |
| 0 | 1 | 1 | Data Latch #3 |
| 1 | 0 | 0 | Data Latch #4 |
| 1 | 0 | 1 | Deselected |
| 1 | 1 | 0 | Deselected |
| 1 | 1 | 1 | Deselected |

Table 3 Data Conversion

| Data | | | | | | | | | | | | DAC Output Level |
|------|-----|----|----|----|----|----|----|----|----|----|----|---|
| D11 | D10 | D9 | D8 | D7 | D6 | D5 | D4 | D3 | D2 | D1 | D0 | AOx |
| 0 | 0 | 0 | 0 | 0 | 0 | 0 | 0 | 0 | 0 | 0 | 0 | $\approx V_{SS}$ |
| 0 | 0 | 0 | 0 | 0 | 0 | 0 | 0 | 0 | 0 | 0 | 1 | $\approx (V_{DD} - V_{SS}) \times 1/4095 + V_{SS}$ |
| 0 | 0 | 0 | 0 | 0 | 0 | 0 | 0 | 0 | 0 | 1 | 0 | $\approx (V_{DD} - V_{SS}) \times 2/4095 + V_{SS}$ |
| 0 | 0 | 0 | 0 | 0 | 0 | 0 | 0 | 0 | 0 | 1 | 1 | $\approx (V_{DD} - V_{SS}) \times 3/4095 + V_{SS}$ |
| ⋮ | ⋮ | ⋮ | ⋮ | ⋮ | ⋮ | ⋮ | ⋮ | ⋮ | ⋮ | ⋮ | ⋮ | ⋮ |
| 1 | 1 | 1 | 1 | 1 | 1 | 1 | 1 | 1 | 1 | 0 | 0 | $\approx (V_{DD} - V_{SS}) \times 4092/4095 + V_{SS}$ |
| 1 | 1 | 1 | 1 | 1 | 1 | 1 | 1 | 1 | 1 | 0 | 1 | $\approx (V_{DD} - V_{SS}) \times 4093/4095 + V_{SS}$ |
| 1 | 1 | 1 | 1 | 1 | 1 | 1 | 1 | 1 | 1 | 1 | 0 | $\approx (V_{DD} - V_{SS}) \times 4094/4095 + V_{SS}$ |
| 1 | 1 | 1 | 1 | 1 | 1 | 1 | 1 | 1 | 1 | 1 | 1 | $\approx V_{DD}$ |

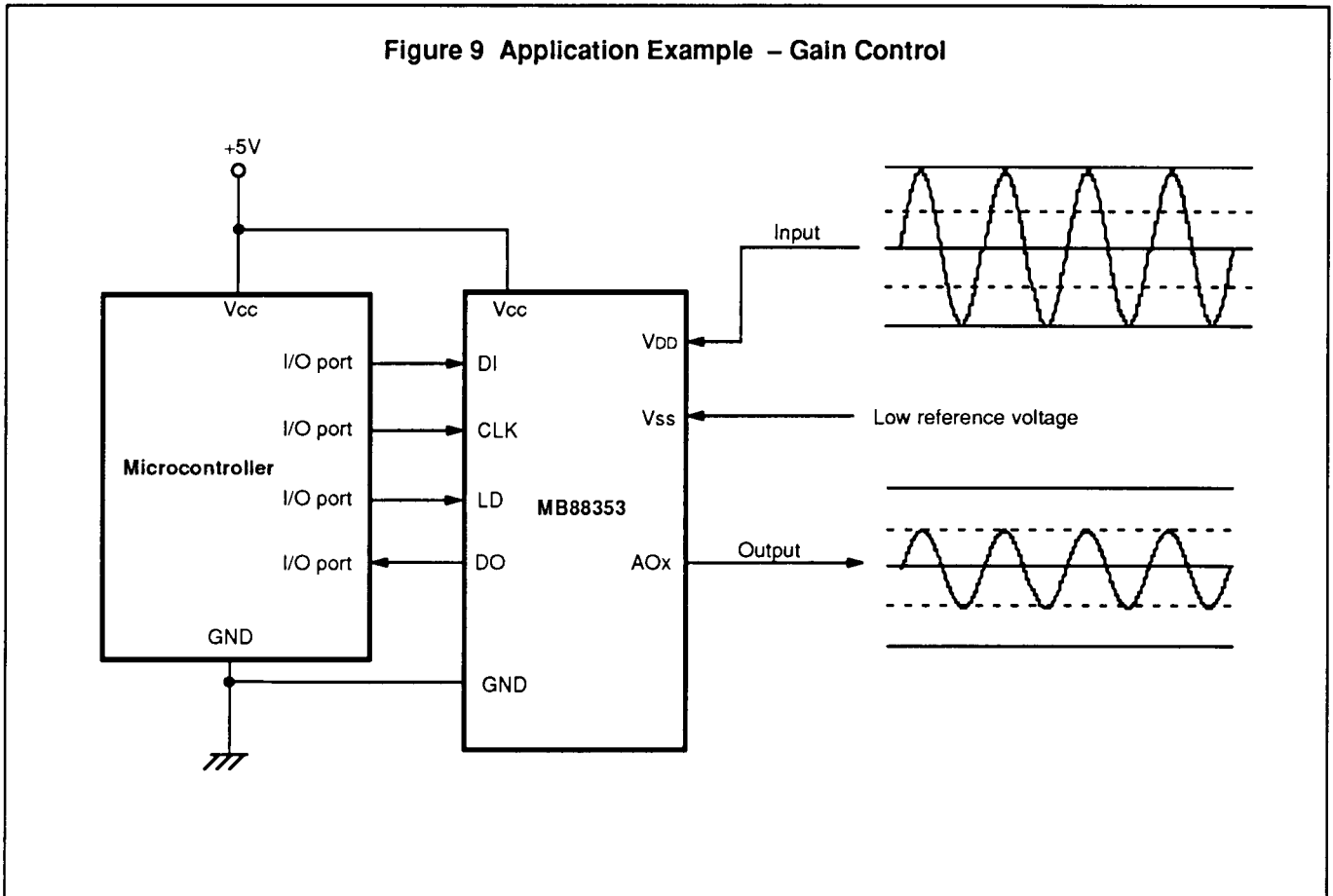
Figure 8 Cascade Connection Example



* : MB88353 can be used mixed with MB88351.

APPLICATION DESCRIPTION

The MB88346B is suitable for use in electronic volume controllers, as a replacement for adjustable potentiometers, and in typical D/A converter applications. Figure 9 illustrates an application example for a gain control.



ELECTRICAL CHARACTERISTICS

ABSOLUTE MAXIMUM RATINGS (See NOTE)

| Parameter | Symbol | Rating | | | Unit | Condition |
|-------------------------------|------------------|--------|-----|----------------------|------|---|
| | | Min | Typ | Max | | |
| Supply Voltage | V _{CC} | -0.3 | | 7.0 | V | T _A = +25°C GND = 0 V V _{DD} ≤ V _{CC} , |
| | V _{DD} | -0.3 | | 7.0 | V | |
| Input Voltage | V _{IN} | -0.3 | | V _{CC} +0.3 | V | T _A = +25°C GND = 0 V |
| Output Voltage | V _{OUT} | -0.3 | | V _{CC} +0.3 | V | |
| Power Dissipation | P _D | | | 250 | mW | |
| Operating Ambient Temperature | T _A | -20 | | +85 | °C | |
| Storage Temperature | T _{STG} | -55 | | +150 | °C | |

NOTE: Permanent device damage may occur if the above ABSOLUTE MAXIMUM RATINGS are exceeded. Functional operation should be restricted to the conditions as detailed in the operational sections of this data sheet. Exposure to absolute maximum rating conditions for extended periods may affect device reliability.

RECOMMENDED OPERATING CONDITIONS

| Parameter | Symbol | Value | | | Unit | Condition |
|---------------------------------------|-----------------|-------|-----|-----------------------|------|---|
| | | Min | Typ | Max | | |
| Supply Voltage (for Digital Block) | V _{CC} | 4.5 | 5.0 | 5.5 | V | V _{CC} ≥ V _{DD} |
| | GND | | 0 | | V | |
| Supply Voltage (for Analog Block) | V _{DD} | 2.0 | | V _{CC} | V | V _{CC} ≥ V _{DD} , V _{DD} - V _{SS} ≥ 2.0V |
| | V _{SS} | GND | | V _{CC} - 2.0 | V | |
| Operating Ambient Temperature | T _A | -20 | | +85 | °C | |

DC CHARACTERISTICS

(Recommended operating conditions unless otherwise noted.)

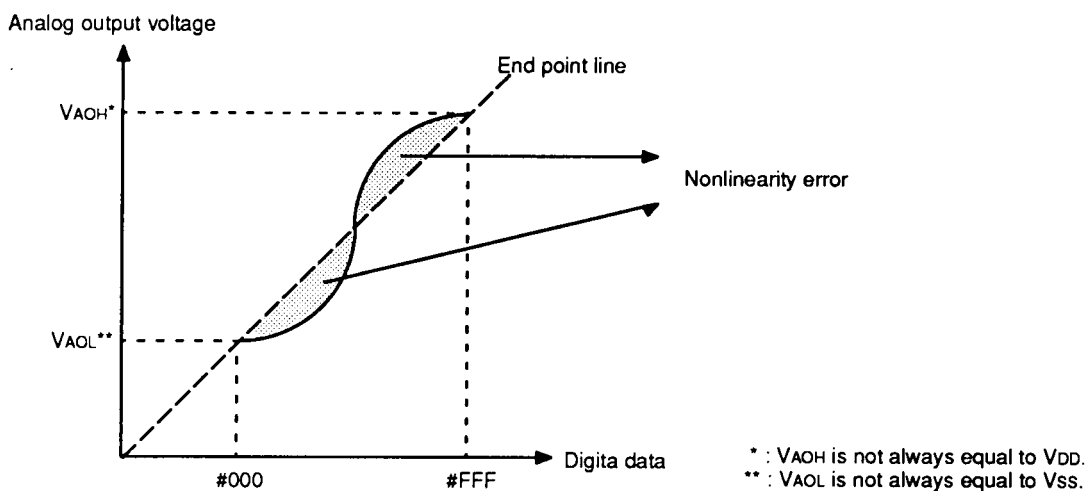
Digital Block (MCU Interface)

| Parameter | Symbol | Value | | | Unit | Condition |
|---|--------|---------|------|---------|------|----------------------|
| | | Min | Typ. | Max | | |
| Active Supply Current (Vcc) | Icc | | 0.3 | 0.5 | mA | CLK = 1MHz, Unloaded |
| Input Leakage Current (CLK, DI, and LD) | IILK | -10 | | +10 | μA | VIN = 0 to Vcc |
| Input Low Voltage (CLK, DI, and LD) | VIL | | | 0.2•Vcc | V | |
| Input High Voltage (CLK, DI, and LD) | VIH | 0.8•Vcc | | | V | |
| Output Low Voltage (DO) | VOL | | | 0.4 | V | IOL = +2.5 mA |
| Output High Voltage (DO) | VOH | Vcc-0.4 | | | V | IOH = -400 μA |

Analog Block (D/A Converters)

| Parameter | Symbol | Value | | | Unit | Condition |
|----------------------------------|--------|-----------|------|-----------|------|--|
| | | Min | Typ. | Max | | |
| Analog Supply Voltage (VDD) | VDD | 2.0 | | Vcc | V | VDD-Vss≥2.0V |
| | Vss | GND | | Vcc-2.0 | V | |
| Supply Current (VDD) | IDD | | 0.2 | 0.4 | mA | Unloaded |
| Min. Analog Output Voltage (AOx) | VAOL | Vss-0.005 | | Vss+0.005 | V | Unloaded, Vss = 0V, Digital data=#000 |
| Max. Analog Output Voltage (AOx) | VAOH | VDD-0.005 | | VDD+0.005 | V | Unloaded, VDD = Vcc, Digital data=#FFF |
| Resolution (AOx) | Res | | 12 | | Bits | |
| Monotonicity (AOx) | Rem | | 10 | | Bits | Unloaded |
| Offset Error (AOx) | Eo | -5.0 | | +5.0 | mV | Unloaded, |
| Nonlinearity Error (AOx) | ENL | -8.0 | | +8.0 | LSB | Unloaded, Vss≥0.1V, VDD≤Vcc-0.1V See Figure 10. |

Figure 10 Definition of Linearity Error



AC CHARACTERISTICS

(Recommended operating conditions unless otherwise noted.)

| Parameter | Symbol | Value | | Unit | Condition |
|--------------------------|--------|-------|-----|------|--|
| | | Min | Max | | |
| Clock Low Time | tCKL | 200 | | ns | |
| Clock High Time | tCKH | 200 | | ns | |
| Clock Rise Time | tCr | | 200 | ns | |
| Clock Fall Time | tCf | | 200 | ns | |
| Data Setup Time | tDCH | 30 | | ns | |
| Data Hold Time | tCHD | 60 | | ns | |
| Load Strobe High Time | tLDH | 100 | | ns | |
| Load Strobe Setup Time | tCHL | 200 | | ns | |
| Load Strobe Hold Time | tLDC | 100 | | ns | |
| DAC Output Settling Time | tLDD | | 60 | μs | Unloaded |
| Data Output Delay Time | tDO | 70 | 350 | ns | **CL = 20 pF (Min.), 100 pF (Max.), See Figure 11. |

Figure 11 AC Test Conditions

- Data Output Delay Time

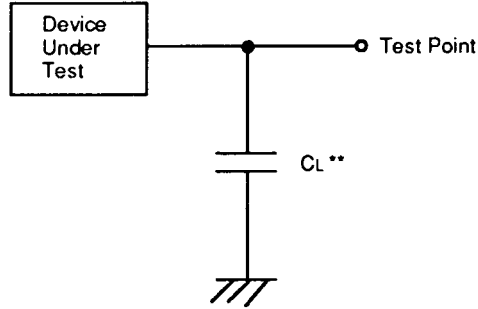


Figure 12 Input/Output Timing

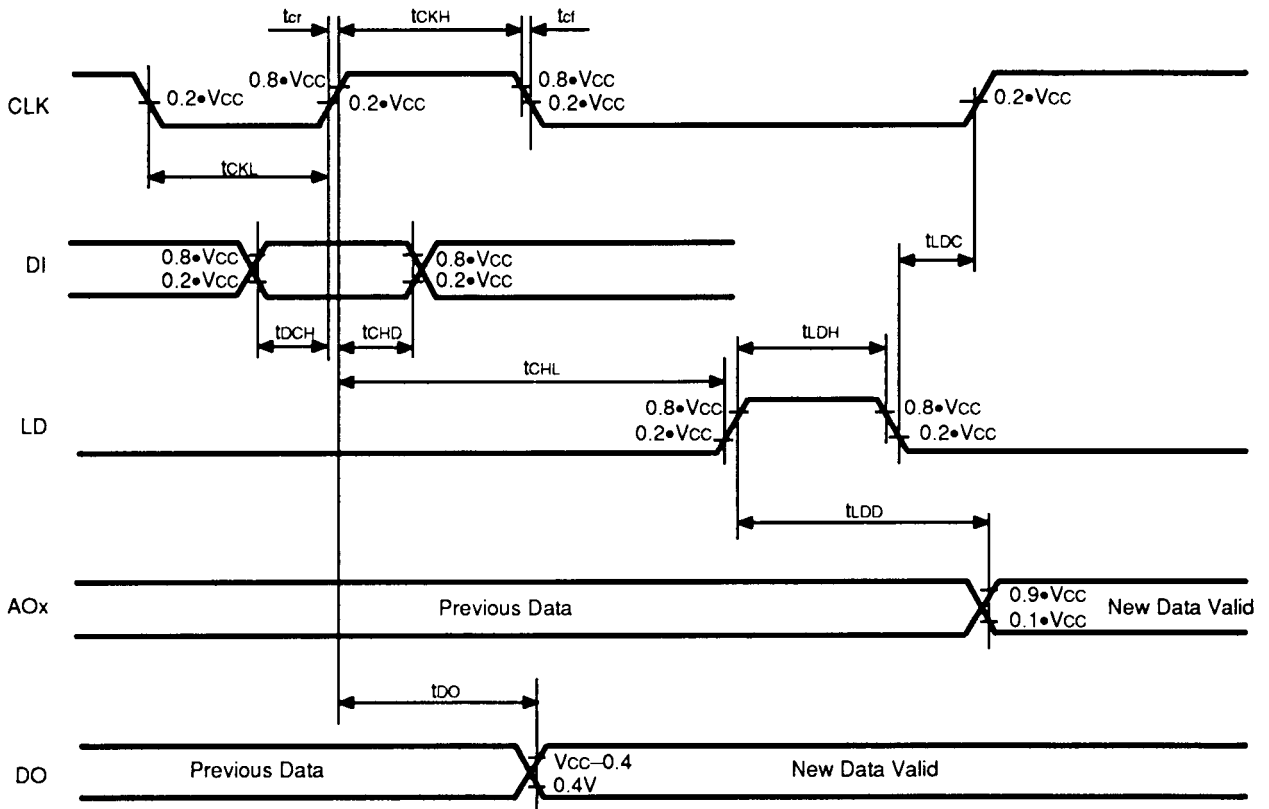
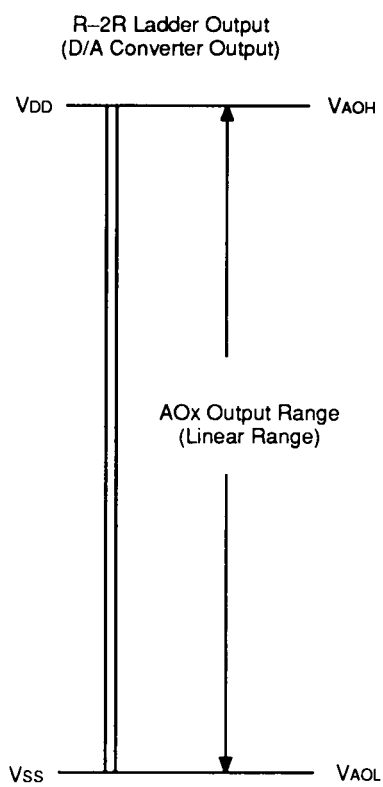


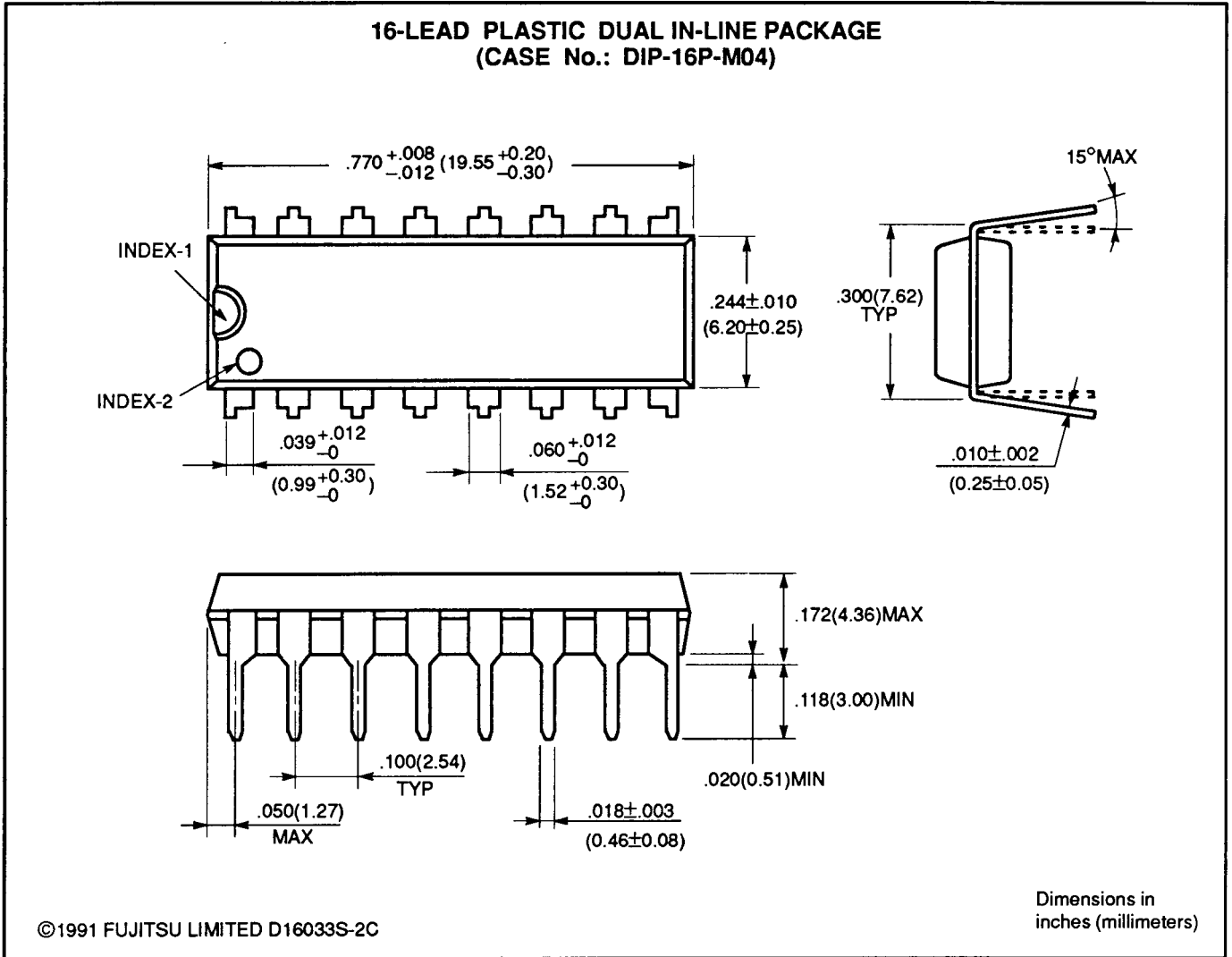
Figure 13 Analog Output Voltage Range



MB88353

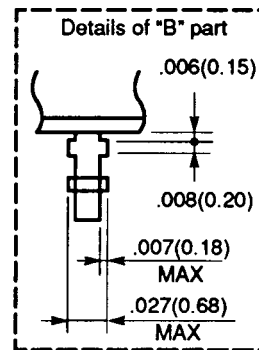
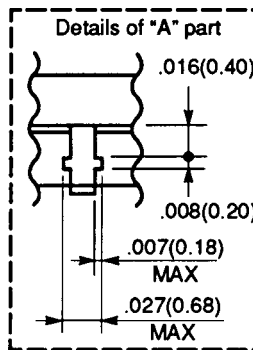
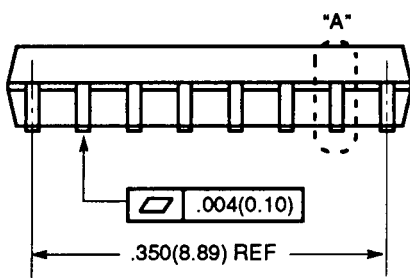
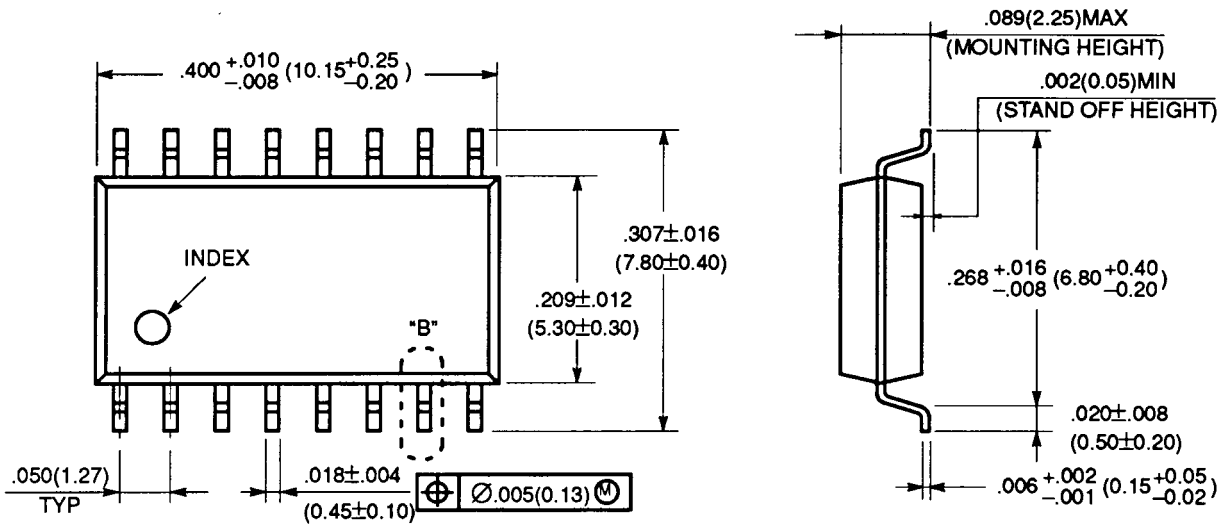
PACKAGE DIMENSIONS

MB88353P



MB88353PF

16-LEAD PLASTIC FLAT PACKAGE
(CASE No.: FPT-16P-M06)



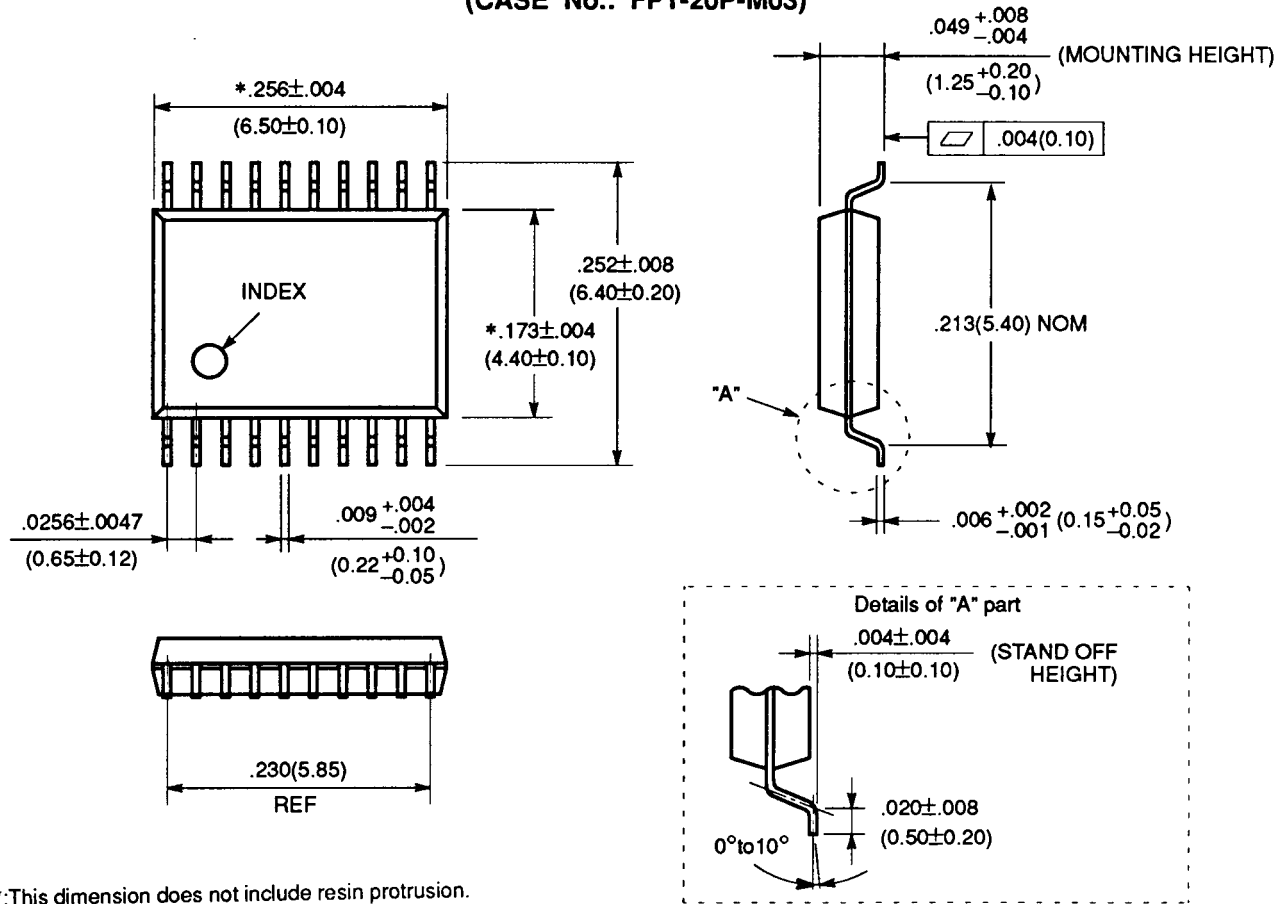
©1991 FUJITSU LIMITED F16015S-2C

Dimensions in inches (millimeters)

MB88353

MB88353PFV

20-LEAD PLASTIC FLAT PACKAGE
(CASE No.: FPT-20P-M03)



*:This dimension does not include resin protrusion.

©1991 FUJITSU LIMITED F20012S-2C

Dimensions in
inches (millimeters)

All Rights Reserved.

Circuit diagrams utilizing Fujitsu products are included as a means of illustrating typical semiconductor applications. Complete Information sufficient for construction purposes is not necessarily given.

The information contained in this document has been carefully checked and is believed to be reliable. However, Fujitsu assumes no responsibility for inaccuracies.

The Information contained in this document does not convey any license under the copyrights, patent rights or trademarks claimed and owned by Fujitsu.

Fujitsu reserves the right to change products or specifications without notice.

No part of this publication may be copied or reproduced in any form or by any means, or transferred to any third party without prior written consent of Fujitsu.