

# ICM1115/D, ICM1115/W Stepper Motor Quartz Clock



ICM1115/D, ICM1115/W

## GENERAL DESCRIPTION

The ICM1115 is a single battery analog quartz clock circuit intended for use with bipolar stepper motors and fabricated using Intersil's low voltage metal gate CMOS process. The circuit consists of a divider chain, output gating, output buffers and an oscillator which, when using the specified 4.19 MHz crystal and capacitors, provides excellent stability. The high frequency portion of the divider chain consists of dynamic dividers, while the remainder are static. The dynamic dividers feature low power consumption and operating voltage, but limit low frequency operation. The large output inverters provide the low impedance necessary to drive the motor. A reset inhibit function is provided so that if the RESET occurs during an output pulse, resetting will not take place until the pulse is completed. RESET may also be used as a stop for synchronization to a time signal or tester. Motor drive will continue 1 sec. after RESET is released.

## FEATURES

- Single Battery Operation
- Very Low Current—Typically 40  $\mu$ A at 4.19 MHz
- Reset or Stop Function, Inhibited During Output
- Extremely Low Output Saturation Resistance: Less Than 100 $\Omega$

Device	Motor Output	Alarm Output
ICM1115	0.5 Hz Square Wave	64 Hz Tone

## ORDERING INFORMATION

Part Number	Temperature	Form
ICM1115A/D	+25°C	Dice
ICM1115B/D	+25°C	Dice
ICM1115A/W	+25°C	Wafer
ICM1115B/W	+25°C	Wafer

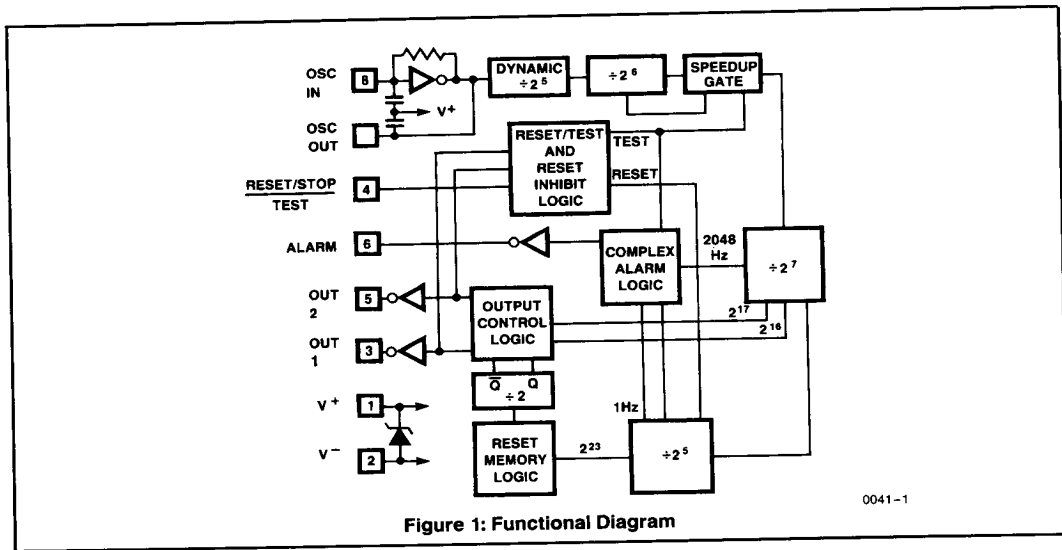


Figure 1: Functional Diagram

INTERSIL'S SOLE AND EXCLUSIVE WARRANTY OBLIGATION WITH RESPECT TO THIS PRODUCT SHALL BE THAT STATED IN THE WARRANTY ARTICLE OF THE CONDITION OF SALE. THE WARRANTY SHALL BE EXCLUSIVE AND SHALL BE IN LIEU OF ALL OTHER WARRANTIES, EXPRESS, IMPLIED OR STATUTORY, INCLUDING THE IMPLIED WARRANTIES OF MERCHANTABILITY AND FITNESS FOR A PARTICULAR USE.

NOTE: All typical values have been characterized but are not tested.

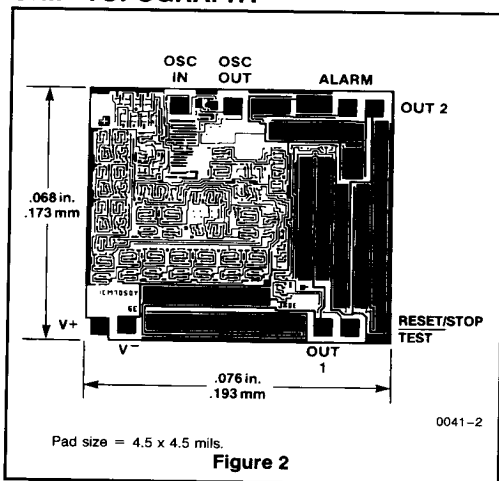
## ABSOLUTE MAXIMUM RATINGS

Supply Voltage	.....3V
Output Voltage (Note 1)	.....Equal to but never
Input Voltage (Note 1)	.....exceeding the supply voltage
Storage Temperature	.....+ 25°C
Operating Temperature	.....25°C

**NOTE:** Stresses above those listed under Absolute Maximum Ratings may cause permanent damage to the device. These are stress ratings only and functional operation of the device at these or any other conditions above those indicated in the operational sections of the specifications are not implied. Exposure to absolute maximum rating conditions for extended periods may affect device reliability.

**NOTE 1:** Due to the inherent SCR structure of junction isolated CMOS devices, the circuit can be put in a latchup mode if large currents are injected into device inputs or outputs. For this reason special care should be taken in a system with multiple power supplies to prevent voltages being applied to inputs and/or outputs before power is applied. If only inputs are affected, latchup can also be prevented by limiting the current into the input terminal to less than 1 mA.

## CHIP TOPOGRAPHY



## ELECTRICAL CHARACTERISTICS

V+ = 1.5V, f<sub>osc</sub> = 4,194,304 Hz, T<sub>A</sub> = 25°C, unless otherwise specified

Parameter	Symbol	Conditions	Min	Typ	Max	Units
Supply Current (Note 2) ICM1115B ICM1115A	I <sup>+</sup>	No Load		40	60	μA
				80	120	
Operating Voltage	V <sup>+</sup>		1.2		1.8	V
Total Output Saturation Resistance	R <sub>OUT</sub>	I <sub>L</sub> = 4 mA		70	100	Ω
Alarm Saturation Resistance	R <sub>AL</sub> (on)	P, I <sub>L</sub> = 1 mA		400	700	Ω
		N, I <sub>L</sub> = 2 mA		100	400	Ω
Oscillator Stability	f <sub>stab</sub>	1.2 ≤ V <sup>+</sup> ≤ 1.6		1		ppm
Oscillator Start-Up Time	t <sub>start</sub>	V <sup>+</sup> = 1.2V			1.0	sec
Oscillator Transconductance (Note 2)	g <sub>m</sub>	ICM1115A	150	400		μmho
		ICM1115B	75	200		

**NOTE 2:** Two options are available with the ICM1115. The ICM1115B is designed to be used with crystals whose load capacitance is 12 pF or less. Using input and output capacitors of 15 pF to 20 pF, this device will provide stable operation at very low supply current. For applications with larger load capacitance (15 pF to 20 pF), the ICM1115A ensures that an increased oscillator current is available to guarantee startup and operation over the voltage range. Using input and output capacitors of 30 pF to 40 pF, the ICM1115A will offer good stability at a supply current approximately twice that of the ICM1115B.

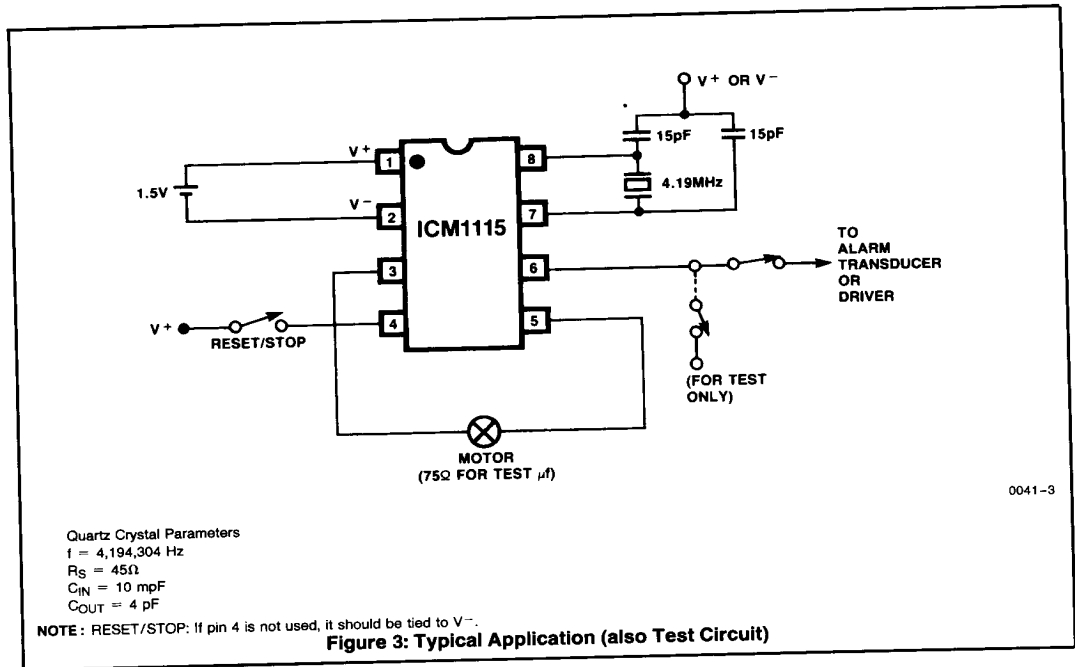
INTERMIL'S SOLE AND EXCLUSIVE WARRANTY OBLIGATION WITH RESPECT TO THIS PRODUCT SHALL BE THAT STATED IN THE WARRANTY ARTICLE OF THE CONDITION OF SALE. THE WARRANTY SHALL BE EXCLUSIVE AND SHALL BE IN LIEU OF ALL OTHER WARRANTIES, EXPRESS, IMPLIED OR STATUTORY, INCLUDING THE IMPLIED WARRANTIES OF MERCHANTABILITY AND FITNESS FOR A PARTICULAR USE.

*NOTE: All typical values have been characterized but are not tested.*

# ICM1115/D, ICM1115/W

INTERSIL

ICM1115/D, ICM1115/W

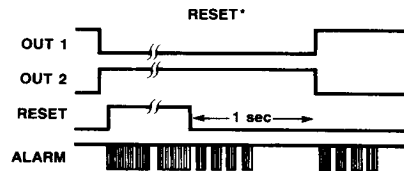
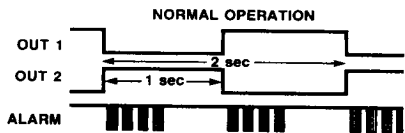
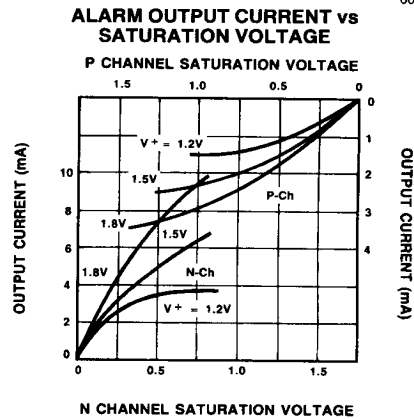
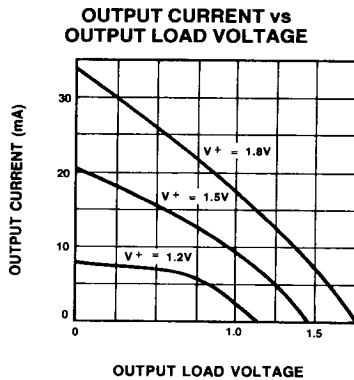
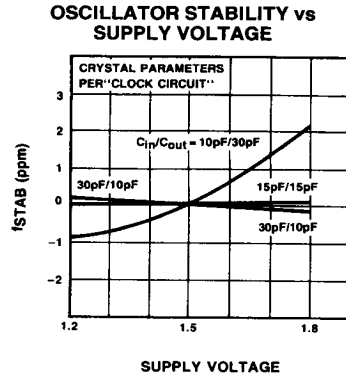
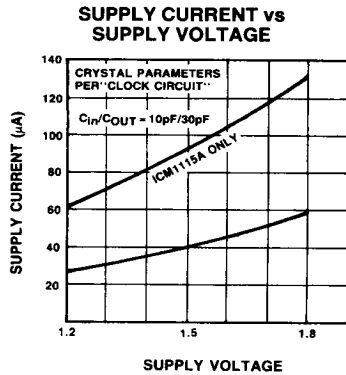


INTERSIL'S SOLE AND EXCLUSIVE WARRANTY OBLIGATION WITH RESPECT TO THIS PRODUCT SHALL BE THAT STATED IN THE WARRANTY ARTICLE OF THE CONDITION OF SALE. THE WARRANTY SHALL BE EXCLUSIVE AND SHALL BE IN LIEU OF ALL OTHER WARRANTIES, EXPRESS, IMPLIED OR STATUTORY, INCLUDING THE IMPLIED WARRANTIES OF MERCHANTABILITY AND FITNESS FOR A PARTICULAR USE.

*NOTE: All typical values have been characterized but are not tested.*

TYPICAL PERFORMANCE CHARACTERISTICS

ICM1115/D, ICM1115/W



\*Shown during OUTPUT 1; exchange OUTPUT 1 and OUTPUT 2 for opposite case.

Figure 4: Output Waveforms

INTERSIL'S SOLE AND EXCLUSIVE WARRANTY OBLIGATION WITH RESPECT TO THIS PRODUCT SHALL BE THAT STATED IN THE WARRANTY ARTICLE OF THE CONDITION OF SALE. THE WARRANTY SHALL BE EXCLUSIVE AND SHALL BE IN LIEU OF ALL OTHER WARRANTIES, EXPRESS, IMPLIED OR STATUTORY, INCLUDING THE IMPLIED WARRANTIES OF MERCHANTABILITY AND FITNESS FOR A PARTICULAR USE.

NOTE: All typical values have been characterized but are not tested.