

Op Amp Development System

OSI 5-DEV

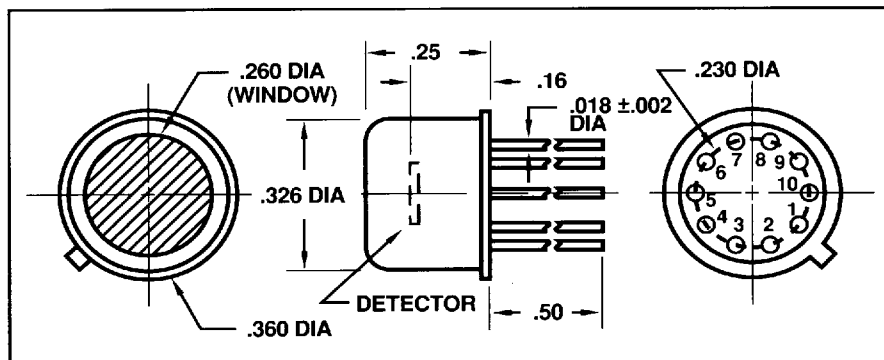
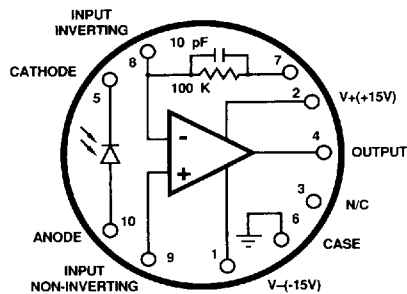
The OSI 5-DEV Universal Sensor/Op Amp is a development system for low light level conditions where amplification is required. The OSI 5-DEV provides your designer with a flexible component for experimental purposes.

This efficient low/noise development system combines sensor and op/amp into one compact building block with all key circuit points accessible via a 10-lead TO5 package.

Centronic can supply several configurations of the basic device, select several types of sensor chips (up to 5mm² area), and apply a variety of filter elements up to 1mm thick. This allows your design engineer to define your basic requirements. Centronic can then "fine tune" the design and produce first article custom devices to fit your application perfectly.

OSI 5-DEV

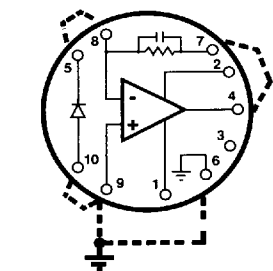
Standard Configuration Schematic:



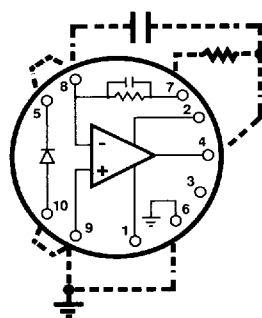
Package Outline - inches

- 1 - Photodiode: OSD 5-0
Active Area: 5mm²
- 2 - Op Amp: PMI OP12
- 3 - Supply Voltage: ±15V
- 4 - Clear Window, No Filter
- 5 - UV Enhanced Option Available OSI 5-DEV-UV

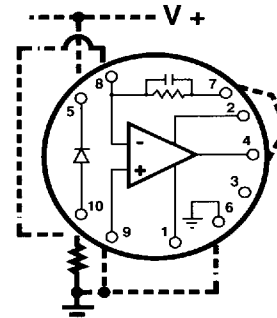
Application Options



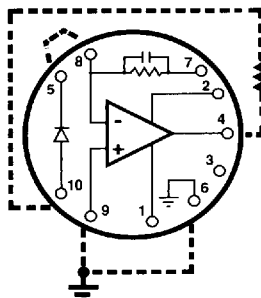
DETECTOR IN
PHOTOVOLTAIC MODE



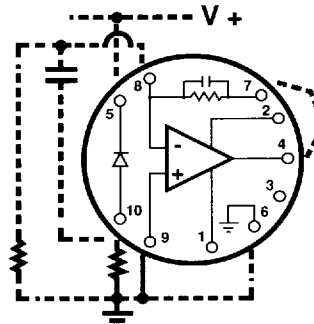
PHOTOVOLTAIC WITH
ADDED EXTERNAL GAIN



PHOTOCONDUCTIVE
(REVERSE BIASED)



LOGARITHMIC
OUTPUT



CAPACITIVE (AC)
COUPLED

CENTRONIC

CENTRONIC INC.
2088 Anchor Court
Newbury Park, CA 91320
805-499-5902 • FAX: 805-499-7770

For Sales and Technical Assistance Please Call:

805-499-5902