



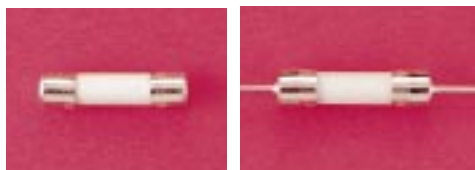
defining a degree of excellence

Type 5HT / 5HTP

5 x 20mm Ceramic Tube

Time-lag Fuse Series (High - Breaking Capacity)

5HTD0598



Electrical Characteristics (IEC-127-2 STANDARD SHEET 5)

Rated Current	1.5 In		2.1 In		2.75 In		4 In		10 In	
	MIN	MAX	MIN	MAX	MIN	MAX	MIN	MAX	MIN	MAX
1A to 3.15A	1	30	1	80	95	5	10	100		
4A and above	1	30	1	80	150	5	20	100		
	hr.	min.	sec	sec	ms	sec	ms	ms		

Approvals



Safety Agency Approvals	Amp range / Volt @ I.R. ability
Certificate No. 9351184; 9431177 & 9447122 Licence No. 85047 Certificate No. E1262	1A - 6.3A / 250V AC@ 1,500A
Recognized File No. E20624 Acceptance File No. LR39772	1A -10A / 250V AC@ 1,500A
Approval File No. 32-1790, 32-1818	1A - 5A / 250V AC@ 1,500A

Operating Temperature

-55°C to +125°C

Physical Specification

Materials

Ceramic body / Nickel Plated Brass Caps

Lead wire:

Tin-lead plated Copper,

Diameter 0.032", 6.3A and less

Diameter 0.040", 8A and above.

Marking

On fuse:

"bel", "T", "Current Rating", "H", "250V", and "Appropriate Safety Logos"

On label:

Above info plus "5HT" or "5HTP", "CE" and interrupting rating

Catalog Number	Ampere Rating	Typical Cold Resistance (ohm)	Volt-drop @100% In (Volt) max.	Melting I ² T < 10 mSec (A ² Sec)	Melting I ² T @10 In (A ² Sec)	Maximum Power Dissipation (W)
5HT (P) 1	1A	0.20	0.25	1.7	1.7	0.73
5HT (P) 1.25	1.25A	0.14	0.22	3.0	3.2	0.81
5HT (P) 1.6	1.6A	0.10	0.19	5.4	5.9	0.91
5HT (P) 2	2A	0.07	0.17	9.7	11.0	1.0
5HT (P) 2.5	2.5A	0.05	0.15	17.4	20.3	1.1
5HT (P) 3.15	3.15A	0.037	0.13	31	38	1.2
5HT (P) 4	4A	0.026	0.1	56	69	1.4
5HT (P) 5	5A	0.019	0.1	101	128	1.5
5HT (P) 6.3	6.3A	0.013	0.1	181	237	1.7
5HT (P) 8	8A	0.009	0.1	330	439	2.7
5HT (P) 10	10A	0.007	0.1	601	812	2.9

Consult manufacturer for other ratings

Packaging

1. In bulk:

5HT - 1,000 pcs per box; 5HTP - 500 pcs per box

2. On Axial Tape & Reel:

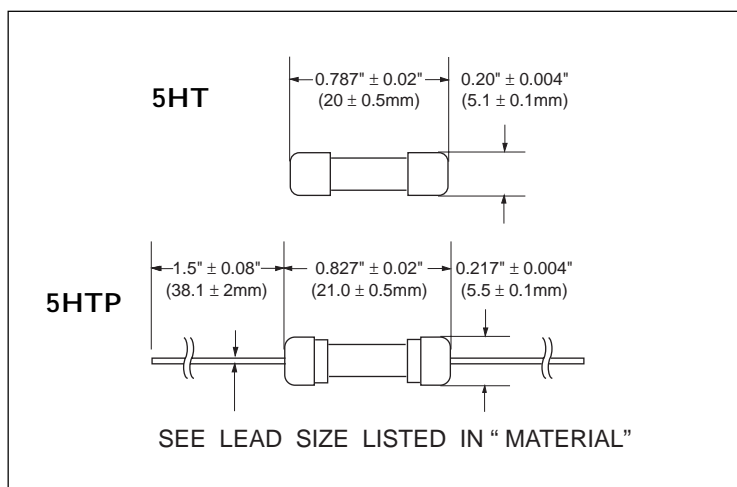
1,500 pcs per reel

3. Tape & Reel specification:

per EIA-296-E & IEC 286-1

@ 10mm Pitch and 63.5mm inside Tape Spacing

Mechanical Dimensions



Specifications subject to change without notice

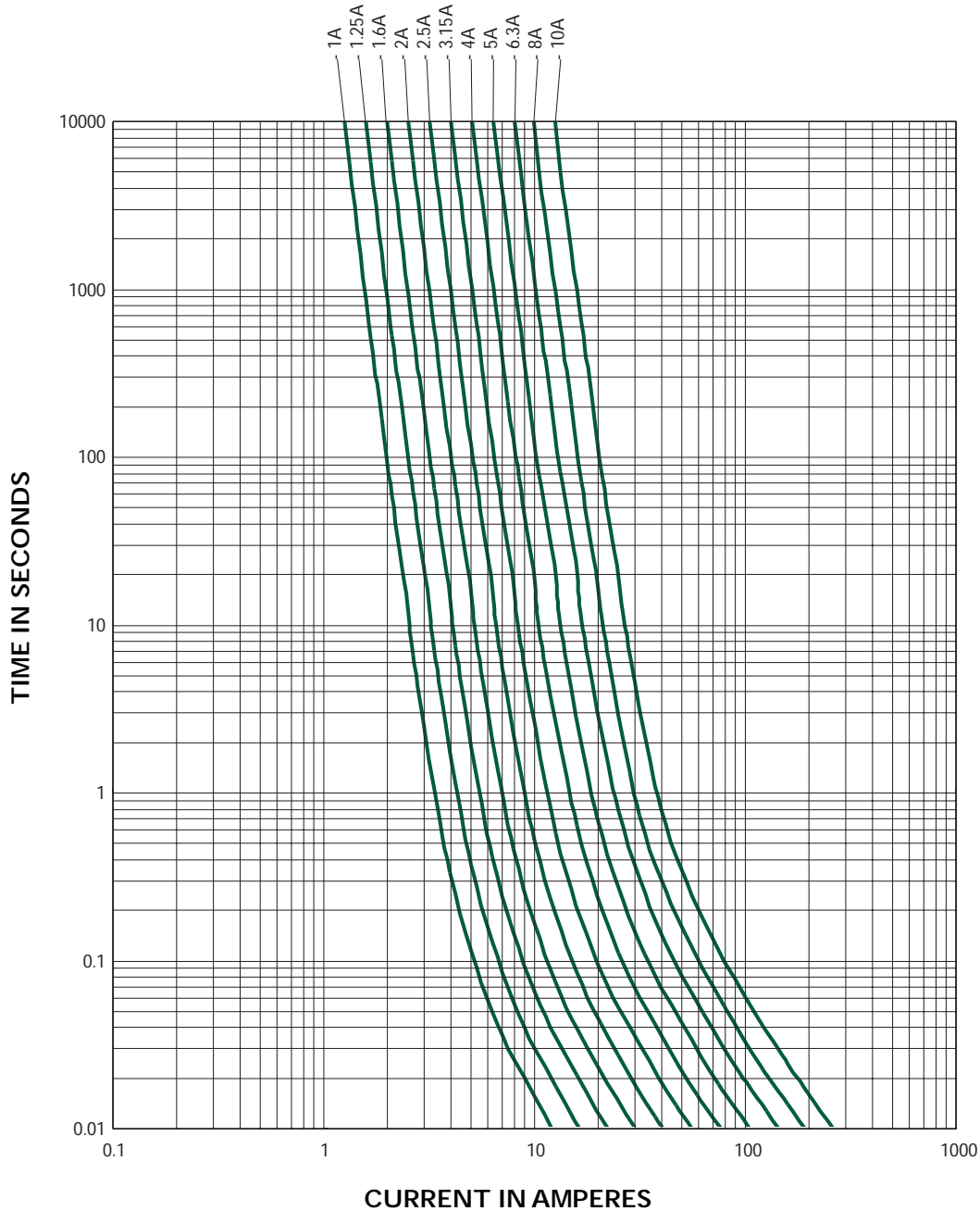
Type 5HT / 5HTP

5 x 20mm Ceramic Tube

Time-lag Fuse Series (High - Breaking Capacity)

5HTC0600

5HT / 5HTP - TIME CURRENT CHARACTERISTIC CURVE



Specifications subject to change without notice

NOTE - see important information under "User Guide" on P.08

Corporate Office

Bel Fuse Inc.
 198 Van Vorst Street, Jersey City, NJ 07302
 Tel: 201-432-0463
 Fax/Fax: 201-432-9542
 E-Mail: belfuse@belfuse.com
 Internet: <http://www.belfuse.com>

Far East Office

Bel Fuse Ltd.
 8F/8 Luk Hop Street
 San Po Kong
 Kowloon, Hong Kong
 Tel: 852-2328-5515
 Fax: 852-2352-3706

European Office

Bel Fuse Europe Ltd.
 Preston Technology Management Centre
 Marsh Lane, Preston PR1 8U
 Lancashire, U.K.
 Tel: 44-1772-556601
 Fax: 44-1772-888366