

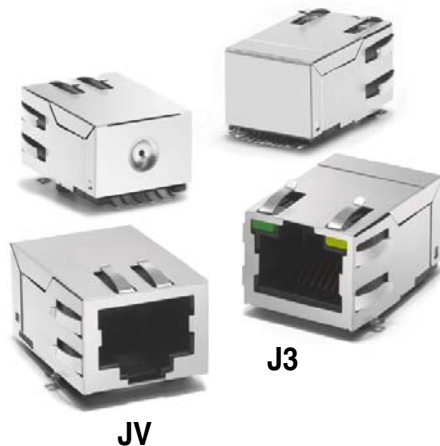
# PULSEJACK™

## Surface Mount 1X1



### Description:

10/100/ Base-TX surface mount RJ45 single port (1X1) Tab-UP/DOWN with or without LEDs integrated magnetics connector (ICM), designed to support applications, such as Set Top Box and Network Interface Cards (NIC).



### Features and Benefits:

- ⊕ Available in Tape & Reel format
- ⊕ J3 SMT product available with or without LEDs
- ⊕ Suitable for CAT 5 or 6 Fast Ethernet cable
- ⊕ Internal magnetics are 100% electrically tested for HI-POT and continuity

### Electrical Performance Summary:

- ⊕ Internal magnetics options available
- ⊕ Meets or exceeds IEEE 802.3ab standard for 1000Base-T
- ⊕ High performance for maximum EMI suppression
- ⊕ Minimum 1500 Vrms isolation per IEEE 802.3 requirement

### Electrical Specifications @ 25°C — Operating Temperature 0°C to +70°C

Part Number*	Turns <sup>1,2</sup> Ratios		Tab Option	LEDs <sup>3</sup>	Insertion Loss TX/RX (dB MAX)	Return Loss (dB MIN) 100 Ω (±15 Ω)			Crosstalk (dB MIN)			Common Mode Rejection (dB MIN)		Hipot (MIN)
	TX	RX				L/R	1-10 MHz	30 MHz	60-80 MHz	1-10 MHz	30-60 MHz	60-100 MHz	1-50 MHz	
JV006I21	1CT:1	1CT:1	DOWN	—	-1.0	-20	-16	-12	-40	-35	-30	-30	-20	1500 Vrms
JV011I21	1CT:1CT	1CT:1CT	DOWN	—	-1.0	-20	-16	-12	-40	-35	-30	-30	-20	1500 Vrms
JV026I21	1CTS:1CT	1CT:1CT	DOWN	—	-1.0	-20	-16	-12	-40	-35	-30	-30	-20	1500 Vrms
J3006G21D	1CT:1	1CT:1	UP	G/Y	-1.0	-20	-16	-12	-40	-35	-30	-30	-20	1500 Vrms
J3011G21D	1CT:1	1CT:1CT	UP	G/Y	-1.0	-20	-16	-12	-40	-35	-30	-30	-20	1500 Vrms
J3018G21K	1CTS:1.414	1CT:1CT	UP	G/G	-1.0	-20	-16	-11.5	-40	-35	-30	-30	-20	1500 Vrm
J3026G21D	1CTS:1	1CT:1CT	UP	G/Y	-1.0	-20	-16	-12	-40	-35	-30	-30	-20	1500 Vrms

#### NOTES:

1. Both transmit and receive channels meet IEEE 802.3 specifications.
2. Different electrical and mechanical specifications can be accommodated. Contact Pulse Applications Engineering.
3. LEDs Left/Right: G = green; Y = yellow; "—" = none. Other LED options available by request.
4. Optional Tape & Reel packaging can be ordered by adding a "T" suffix to the surface mount part numbers (eg: JVXXXI21T or J3XXXGX1T).

### RJ45 Durability Testing Rating

Part Number	Mating Force (MAX)	Unmating Force (MAX)	Durability	Plug to Jack Retention (MIN)
JV/J3 Series	5 lbs./2.268 kgs.	5 lbs./2.268 kgs.	750 Insertions	20 lbs./9.072 kgs.

### RJ45 Material Specification

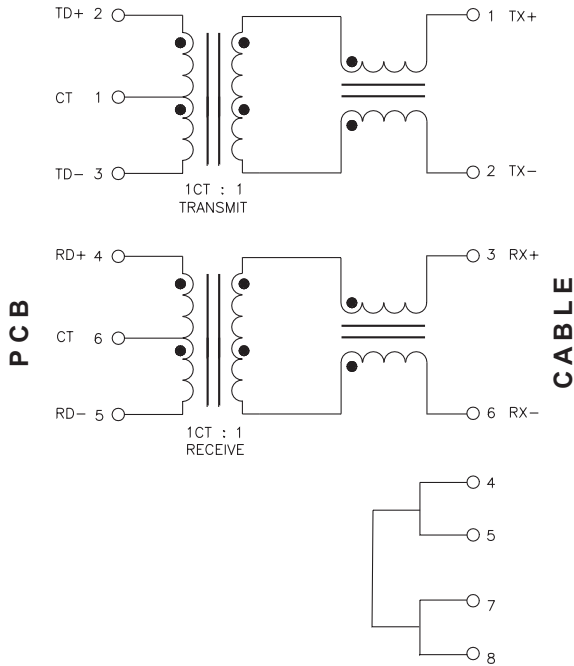
Part Number	Shield		Contact			Housing	
	Material	Finish	Material	Plating Area	Solder Area	Material	Specification
JV/J3 Series	Brass	10-20μ inches thick nickel over 10-20μ inches thick nickel	Phosphor Bronze	30μ inches gold over 30-80μ inches nickel	75-300μ inches tin-lead over 30-80μ inches nickel	High Temp. Thermoplastic	UL 94 V-0

#### Notes:

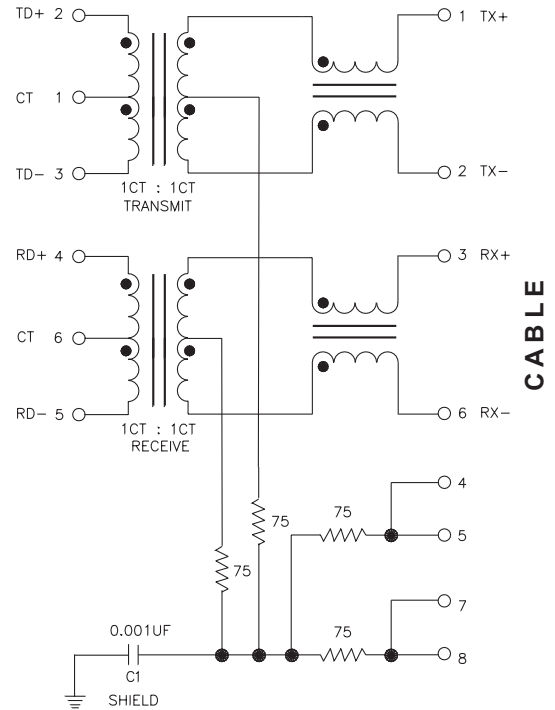
1. All connector part numbers starting with the series prefix JV or J3 comply to the above limits.
2. Connector dimensions comply with FCC dimension requirements.

## JV Platform Schematics

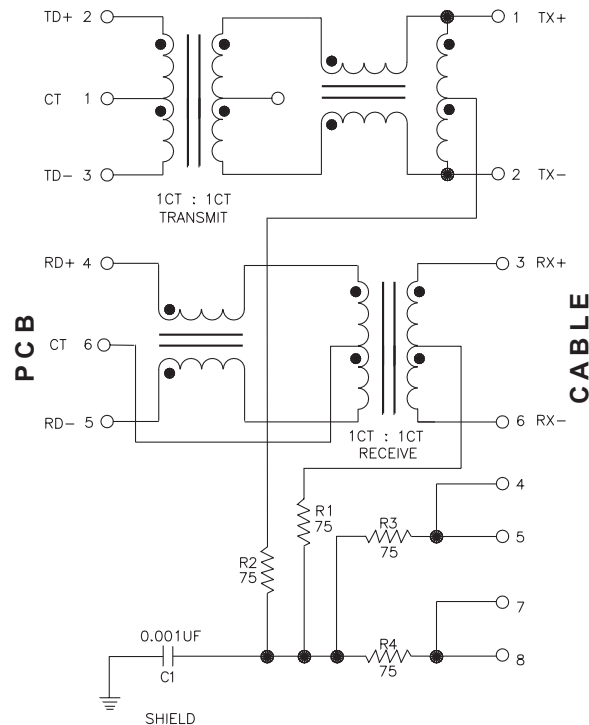
### JV006



### JV011

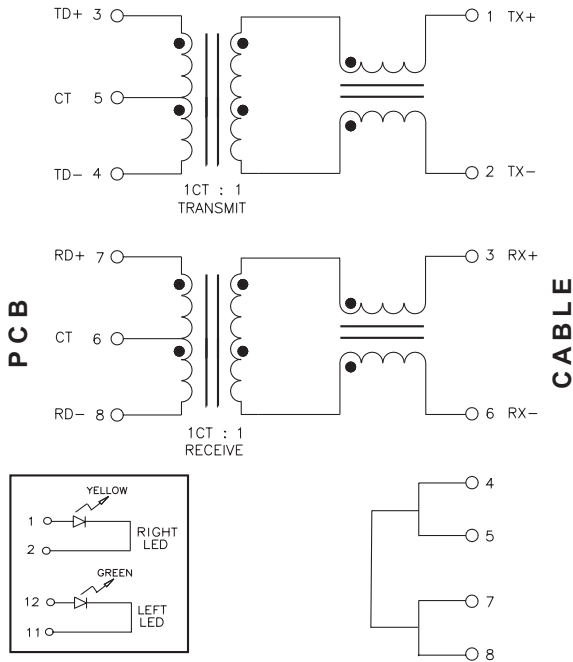


### JV026

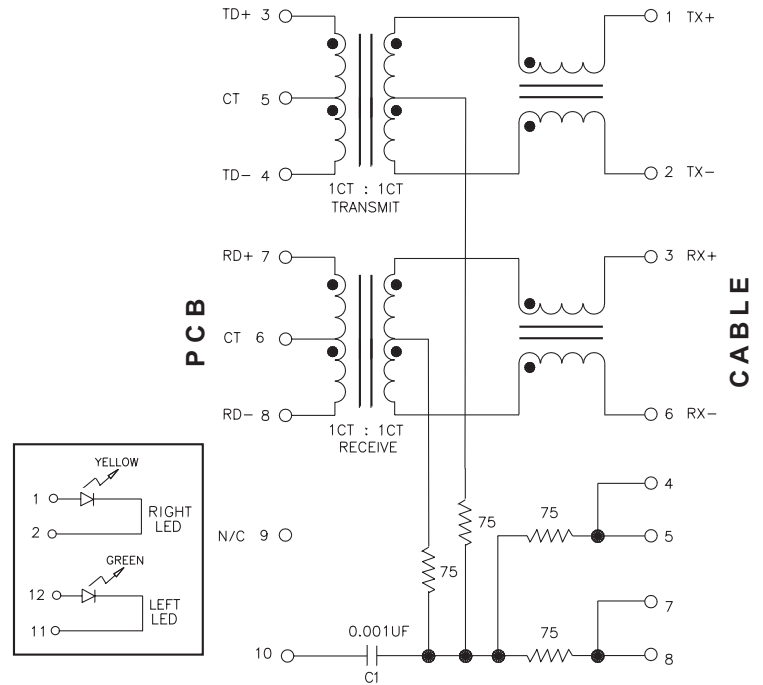


### J3 Platform Schematics

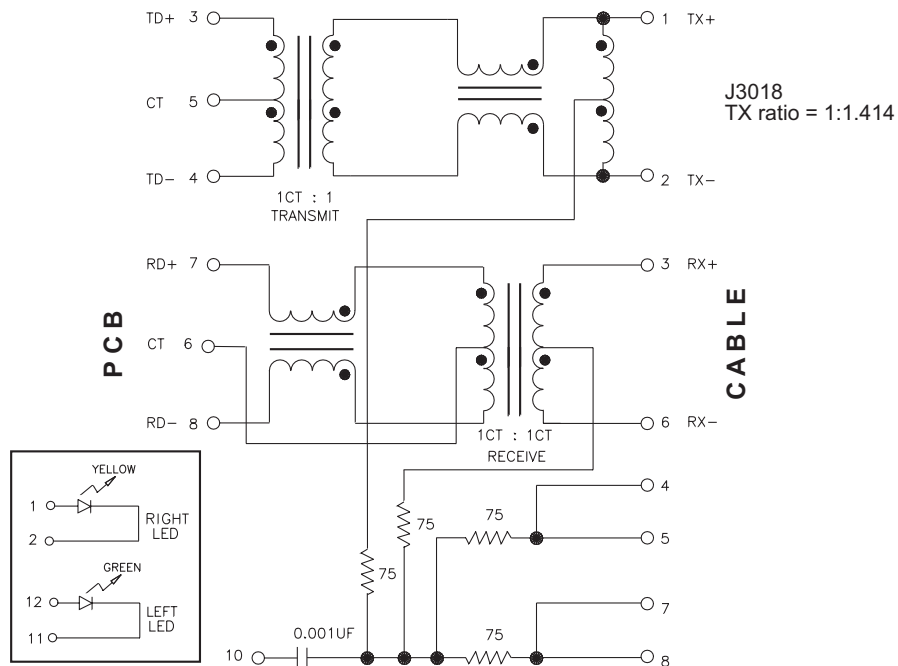
#### J3006



#### J3011

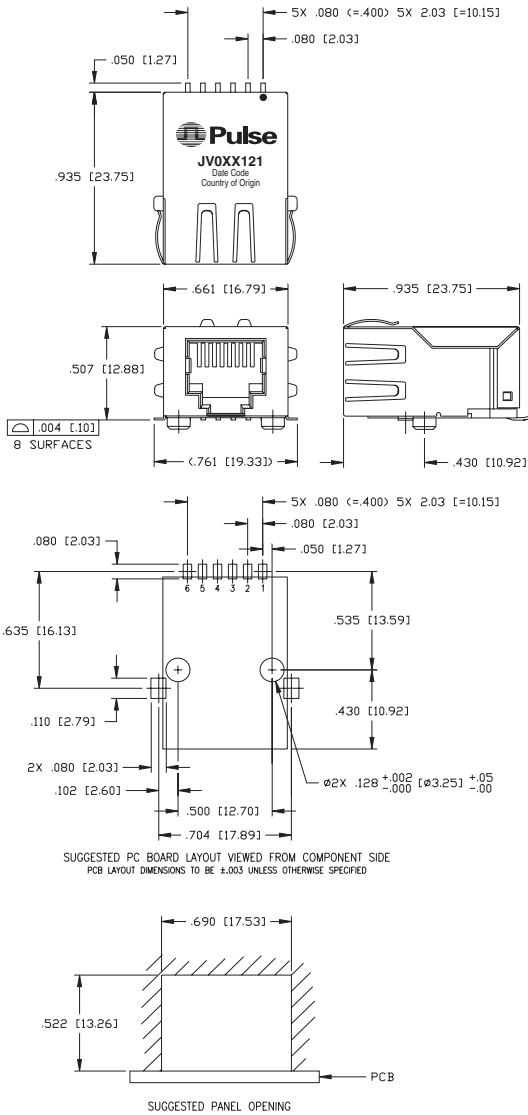


#### J3018/J3026

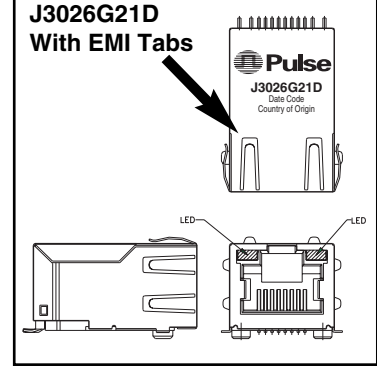
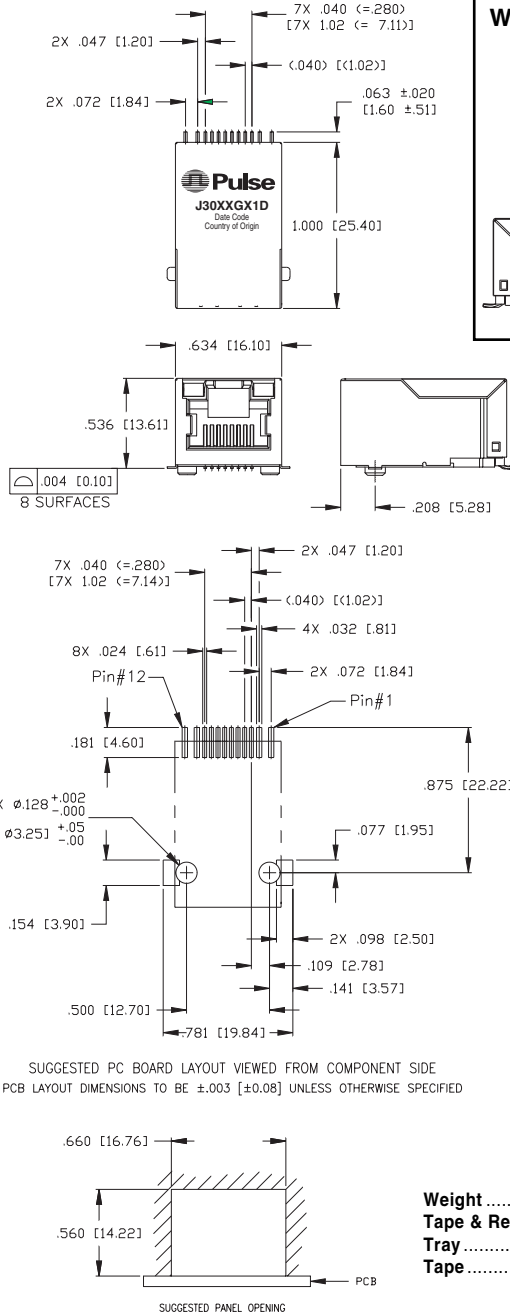


### JV/J3 Platform Mechanicals

#### JV Series



#### J3 Series



Dimensions: Inches  
 mm  
 Unless otherwise specified,  
 all tolerances are  $\pm .010$   
 .025

	JV series	J3 series
Weight .....	6.6 grams	8.1 grams
Tape & Reel .....	175/reel	75/reel
Tray .....	40/tray	40/tray
Tape .....	44x32mm	56x32mm

### For More Information :

UNITED STATES (Worldwide)	UNITED KINGDOM (Northern Europe)	FRANCE (Southern Europe)	SINGAPORE (Southern Asia)	TAIWAN, R.O.C. (Northern Asia)	HONG KONG (China/Hong Kong)	DISTRIBUTOR
12220 World Trade Drive San Diego, CA 92128 U.S.A. http://www.pulseeng.com TEL: 858 674 8100 FAX: 858 674 8262	1 & 2 Huxley Road The Surrey Research Park Guildford, Surrey GU2 5RE United Kingdom TEL: 44 1483 401700 FAX: 44 1483 401701	Zone Industrielle F-39270 Orgelet France TEL: 33 3 84 35 04 04 FAX: 33 3 84 25 46 41	150 Kampong Ampat #07-01/02 KA Centre Singapore 368324 TEL: 65 6287 8998 FAX: 65 6280 0080	3F-4, No. 81, Sec. 1 HsinTai Wu Road Hsi-Chih, Taipei Hsien Taiwan, R.O.C. Tel: 886 2 2698 0228 FAX: 886 2 2698 0948	19/F, China United Plaza 1008 Tai Nan West Street Cheung Sha Wan, Kowloon Hong Kong, China TEL: 852 2788 6588 FAX: 852 2776 1055	

Performance warranty of products offered on this data sheet is limited to the parameters specified. Data is subject to change without notice. Other brand and product names mentioned herein may be trademarks or registered trademarks of their respective owners.